

KMG362C01A
 APPROX WEIGHT: 974LBS

FOR SCHEMATIC SEE DRAWING P/N 24281-23A

KMG HIGH PERFORMANCE OUTPUT FILTER

PART NUMBER: KMG362C01A

FLA: 362 DRAWING#: 104451DG

SYSTEM VOLTAGE: 600 SCHEMATIC: 24281-23A

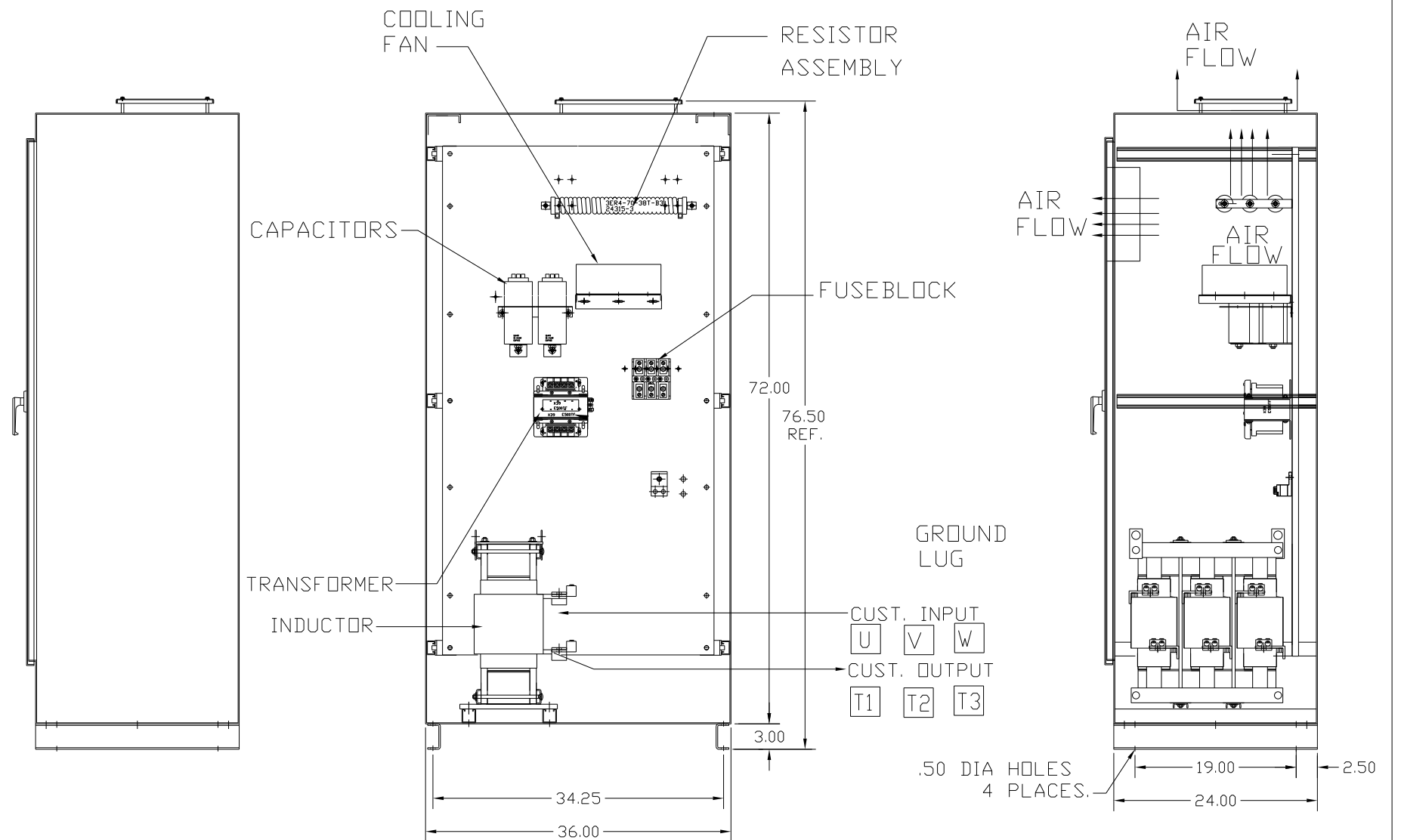
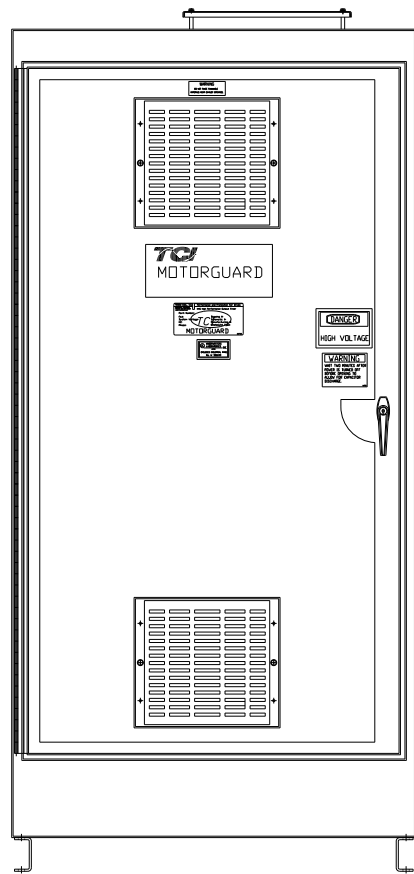
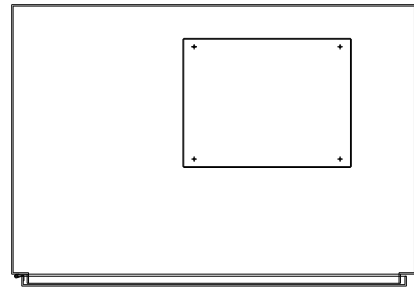
HZ: 80

PHASE: 3

MOTORGUARD

GROUND LUG
 WIRE RANGE: (2)350MCM-4
 TORQUE: 275 LB-IN

LINE CONNECTIONS
 WIRE RANGE: (2)350MCM-4
 TORQUE: 275 LB-IN



CUSTOMER IS RESPONSIBLE FOR PROPER
 INSTALLATION OF ASSEMBLY IN ACCORDANCE
 WITH LOCAL AND NATIONAL CODES.

				TOLERANCES (EXCEPT AS NOTED)		7878 N. 86th STREET MILWAUKEE, WI 53224	
				DECIMAL			
				.XX ± .02		Standard, SineWave Filter ENCLOSED, 350HP, 362AMP, 600V	
				.XXX ± .01			
				FRACTIONAL ± 1/32			
				ANGULAR ± 1/2°		DRN. BY DSW DATE 10/18/10 DWG. NO. 104451DG SCALE TO FIT APRVD. SHT. 1 OF 1	
NO	REVISION	DATE	BY				