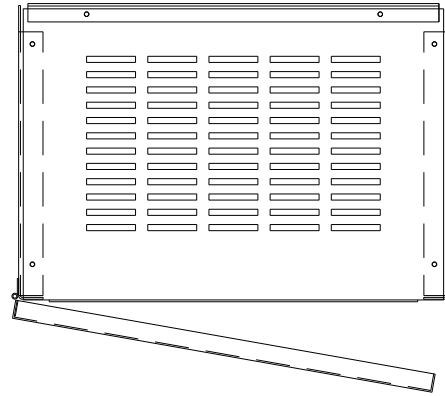


KMG12C01A
 APPROX WEIGHT: 118LBS



KMG HIGH PERFORMANCE OUTPUT FILTER

PART NUMBER: KMG12C01A

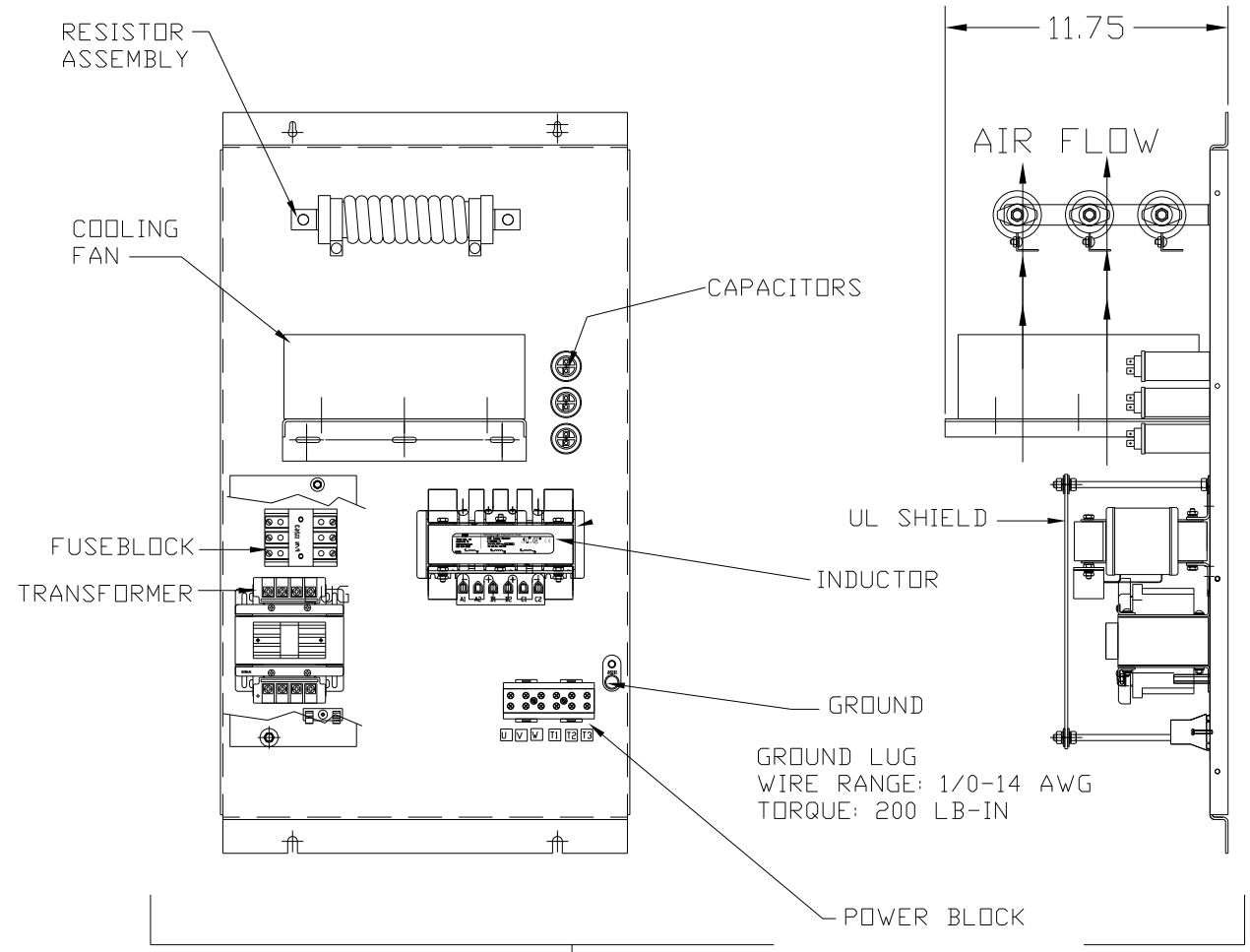
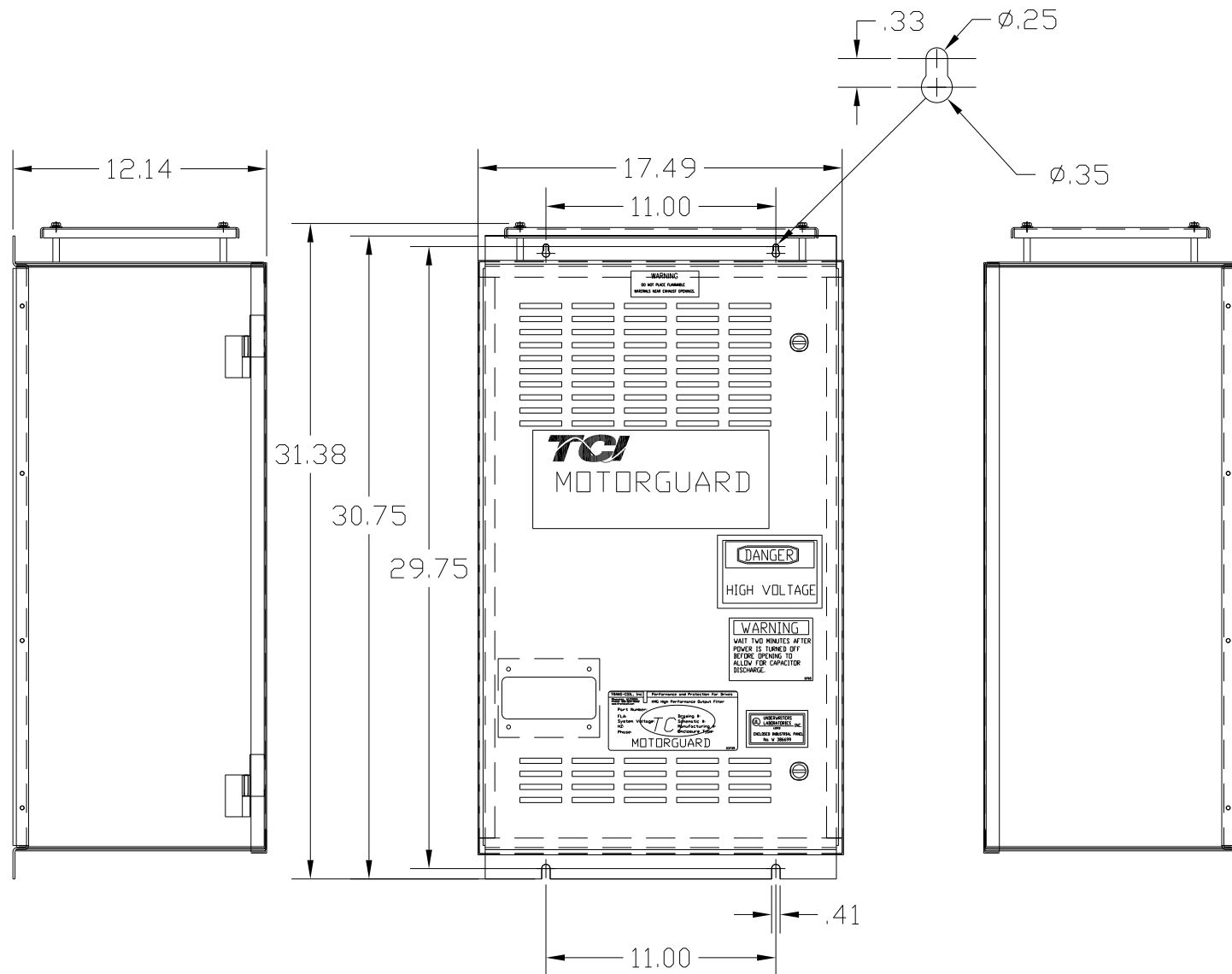
FLA: 12 DRAWING#: 104436DG

SYSTEM VOLTAGE: 600 SCHEMATIC: 24281-11A

HZ: 80

PHASE: 3

MOTORGUARD



ENCLOSURE NOT SHOWN

CUSTOMER CONNECTIONS

U V W

T1 T2 T3

LINE CONNECTIONS
 WIRE RANGE: 1 AWG THRU 4 AWG 35 LB-IN
 6 AWG THRU 14 AWG 30 LB-IN
 16 AWG THRU 22 AWG 25 LB-IN

FOR SCHEMATIC SEE DRAWING P/N 24281-11A

CUSTOMER IS RESPONSIBLE FOR PROPER
 INSTALLATION OF ASSEMBLY IN ACCORDANCE
 WITH LOCAL AND NATIONAL CODES.

				TOLERANCES (EXCEPT AS NOTED)	7878 N. 86th STREET MILWAUKEE, WI 53224
				DECIMAL	
				.XX ± .02 .XXX ± .01	
				FRACTIONAL ± 1/32	
NO	REVISION	DATE	BY	ANGULAR ± 1/2°	DRN. BY: DSW DATE: 10/14/2010 DWG. NO.: 104436DG
					SCALE: TO FIT APRVD. C SHT. 1 OF 1