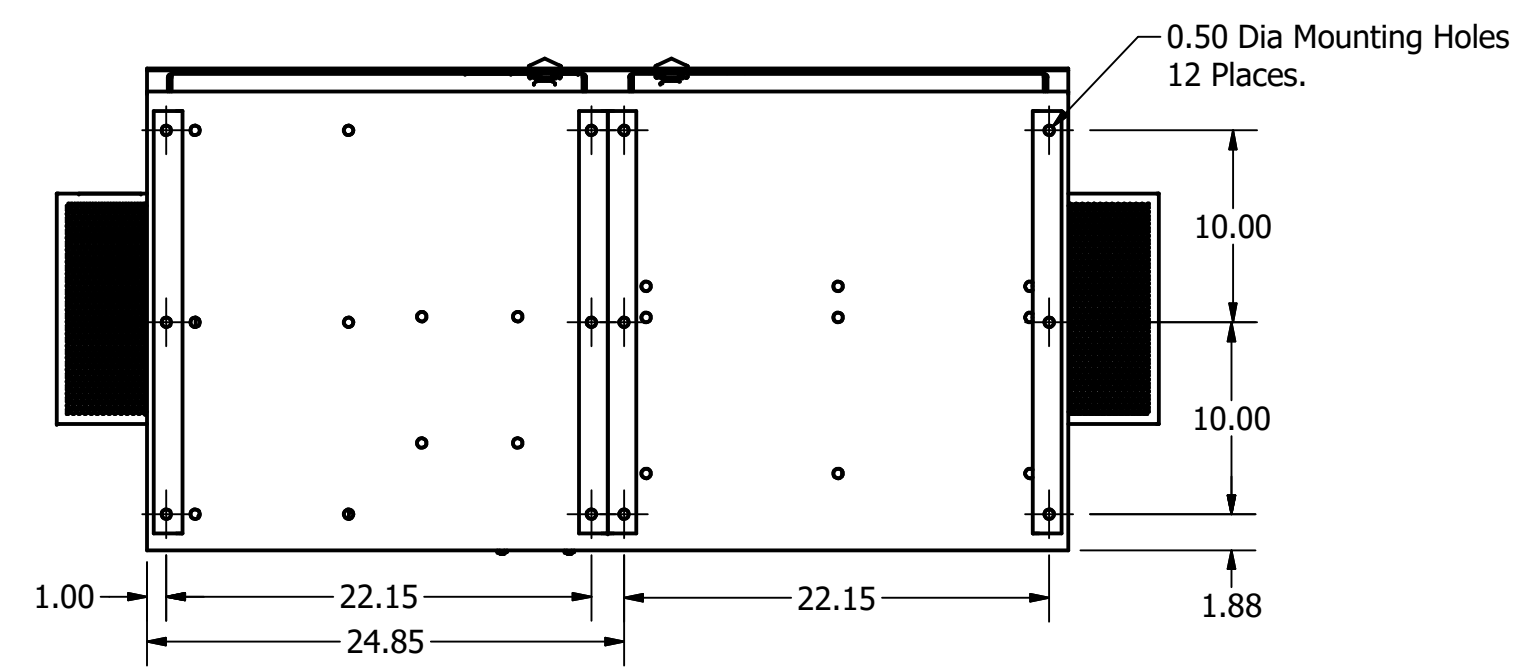
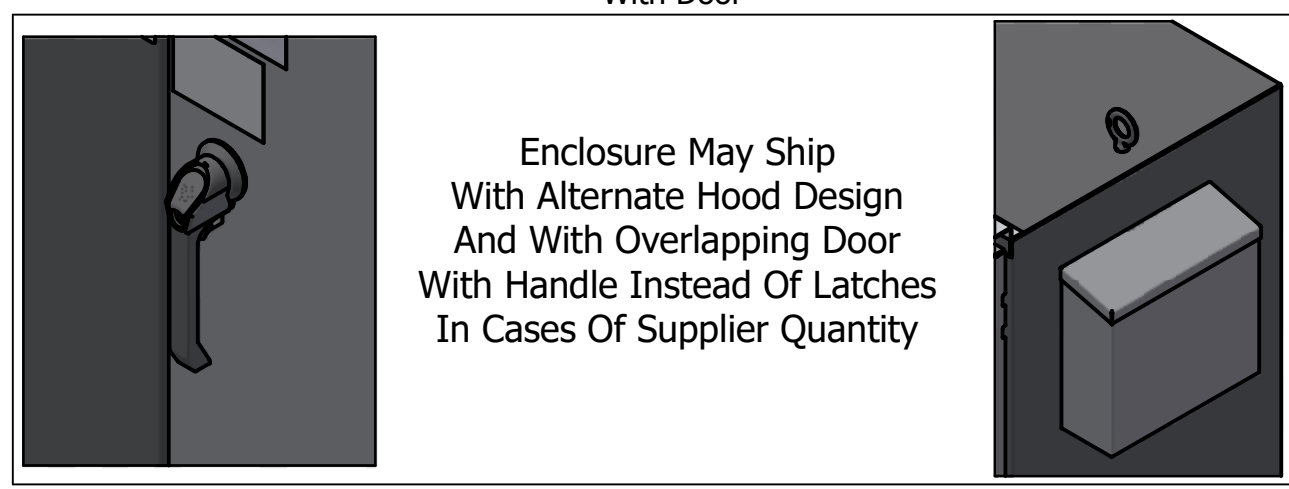
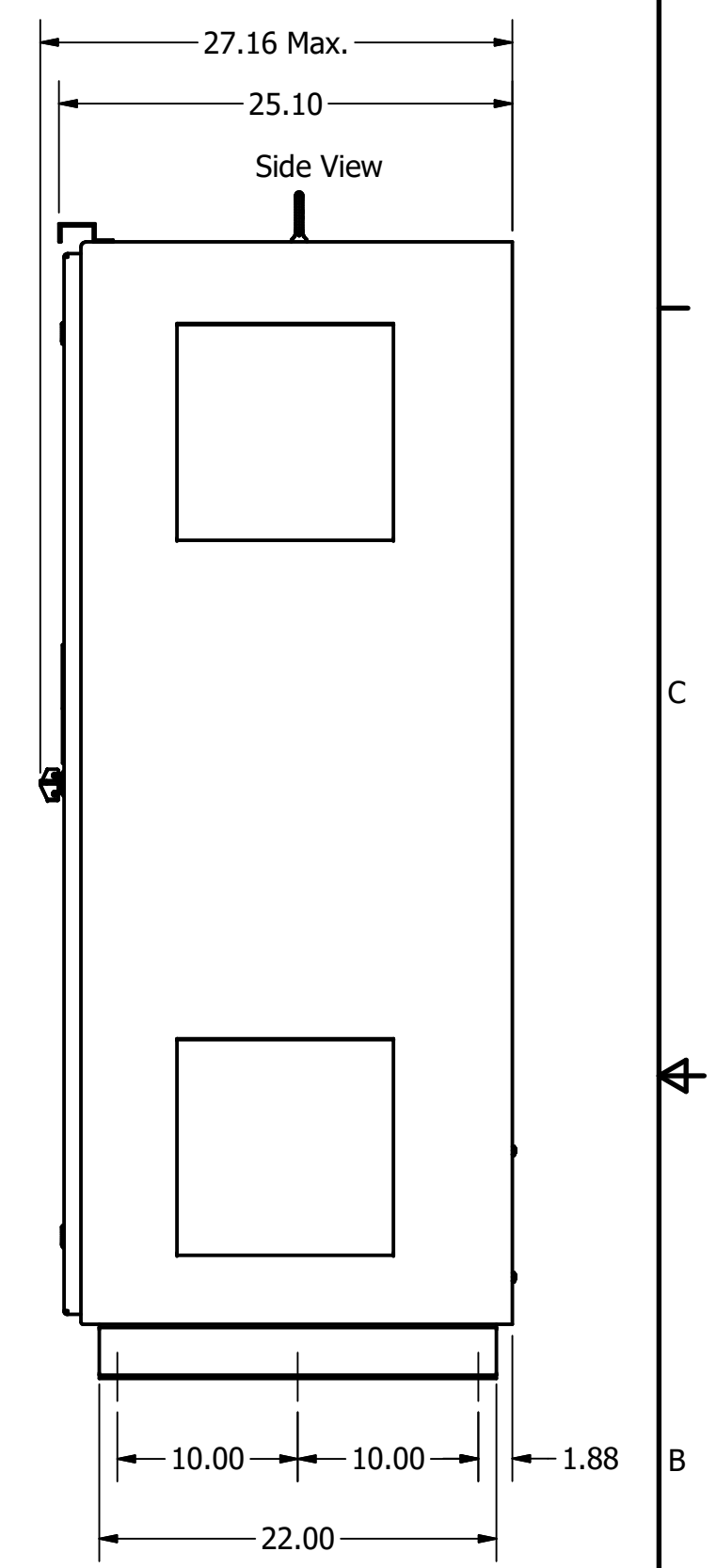
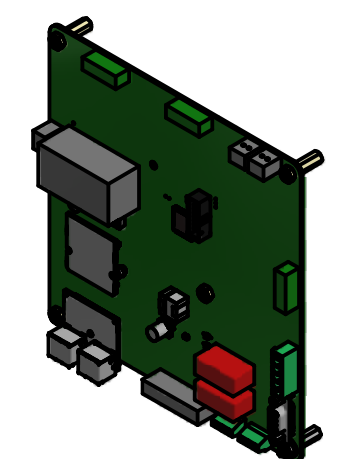
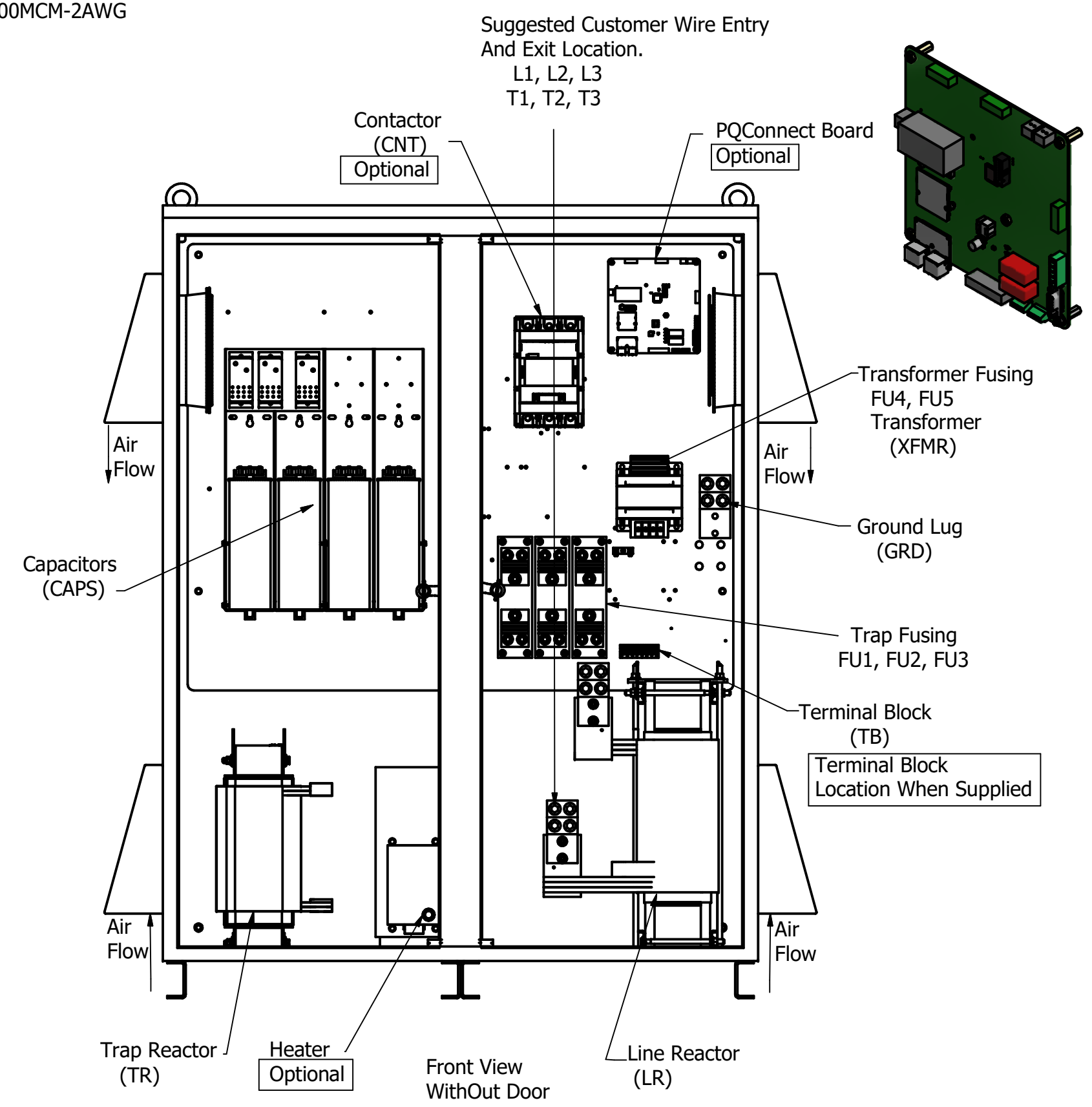
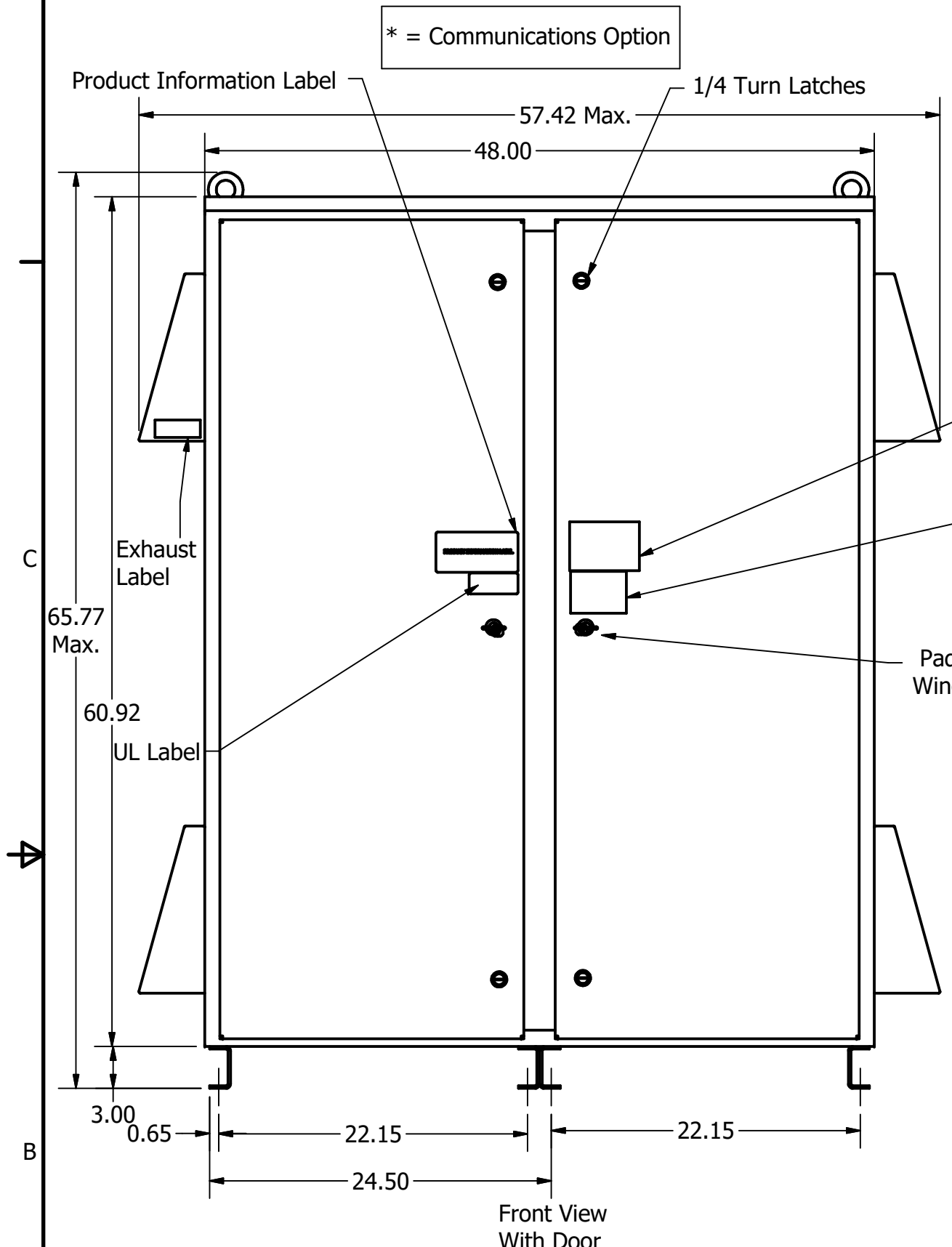


HGP Part Number	Schematic Drawing #	Approx Weight (LBS)
HGP0800AW3S0000	28697-5S	1390
HGP0800AW3C0000	28697-5	1406
HGP0800AW3C000H	29597-H	1411
HGP0800AW3S*000	29597-PQ1	1395
HGP0800AW3C*000	29597-PQ	1410
HGP0800AW3C*00H	29597-PCH	1415

HGP Part Number	HorsePower (HP)	kVar	Maximum Amps (A)	Harmonic	Voltage (V)	Hz.	Phase
HGP0800AW3----	800	240	960	5th	480	60	3

Customer Connections:
L1, L2, L3, T1, T2, T3, and
Ground Lug.
Wire Range- Three, 600MCM-2AWG

Note: For Torque Information
See IOM Manual



Customer Is Responsible For Installation to Meet All National And Local Electrical Codes.
NOTE: USE ONLY HUBS OR FITTINGS THAT COMPLY WITH UL514B FOR TYPE 3R ENCLOSURES

Components	HGP0800AW3----					
	S0000	C0000	C000H	S*000	C*000	C*00H
Line Reactor (LR)	x	x	x	X	X	X
Trap Reactor (TR)	x	x	x	X	X	X
Capacitor (Cap)	x	x	x	X	X	X
Trap Fusing, FU1, FU2, FU3	x	x	x	X	X	X
Contactor (CNT)		x	x		X	X
Transformer (XFMR)	x	x	x	X	X	X
XFMR Fusing, FU4, FU5	x	x	x	X	X	X
Heater			x			X
PQConnect Board				X	X	X

THE INFORMATION AND DESIGNS CONTAINED IN THIS DRAWING ARE CONFIDENTIAL AND THE PROPRIETARY PROPERTY OF ALLIED MOTION TECHNOLOGIES INC. AND ITS SUBSIDIARIES. NEITHER THIS DESIGN NOR ANY INFORMATION CONTAINED IN THIS DRAWING MAY BE REPRODUCED OR DISCLOSED TO OTHERS WITHOUT THE EXPRESS WRITTEN CONSENT OF ALLIED MOTION TECHNOLOGIES INC. AND ITS SUBSIDIARIES.

NO	REVISION	DATE	BY
J	6179-1 Add Alternate Hood/Handle	02/21/23	JRN
I	5628, GE 29315 to ABB 32279	6/15/2021	DSW
H	5454, Schematic Update	11/18/2020	DSW
G	5061, Inductors Updated	2/4/2020	DSW
F	4745 Components Moved	05/15/19	JRN
E	Add PQConnect	03/27/19	JRN

Material(s) Shall be RoHS Compliant

TCL An Allied Motion Company

W132N10611 Grant Drive
Germantown, WI 53022
© 2021 TCL, LLC

HarmonicGuard Passive
HGP, 800HP, 480/3/60, Type 3R

DRN BY: DSW DATE: 5/6/14
SCALE: 1/10 APRVD: 105573DG
ANGULAR: ± 1° SIZE: C

SHT 1 OF 1