

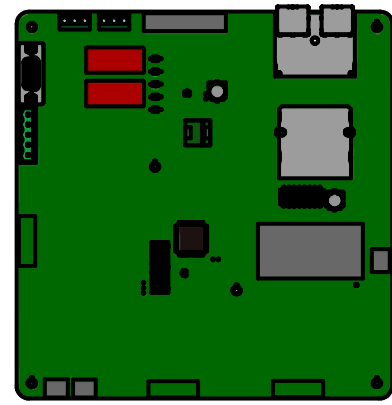
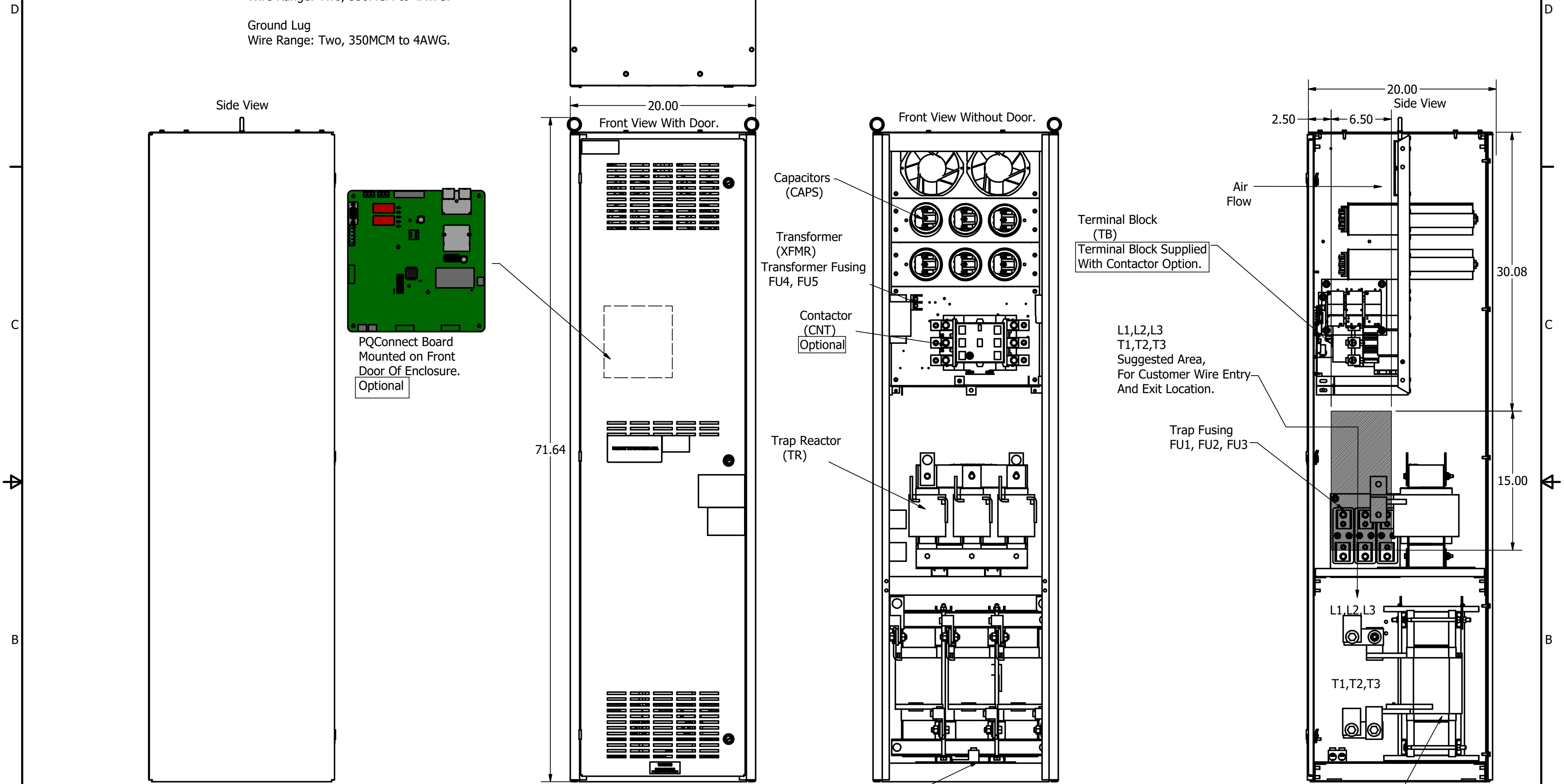
HGP Part Number	HorsePower (HP)	kVar	Harmonic	Voltage (V)	Hz.	Phase
HGP0400CW1---	400	120	5th	600	60	3

Note: For Torque Information See IOM Manual.

Customer Connections.
L1, L2, L3, T1, T2, T3
Wire Range: Two, 350MCM to 4AWG.

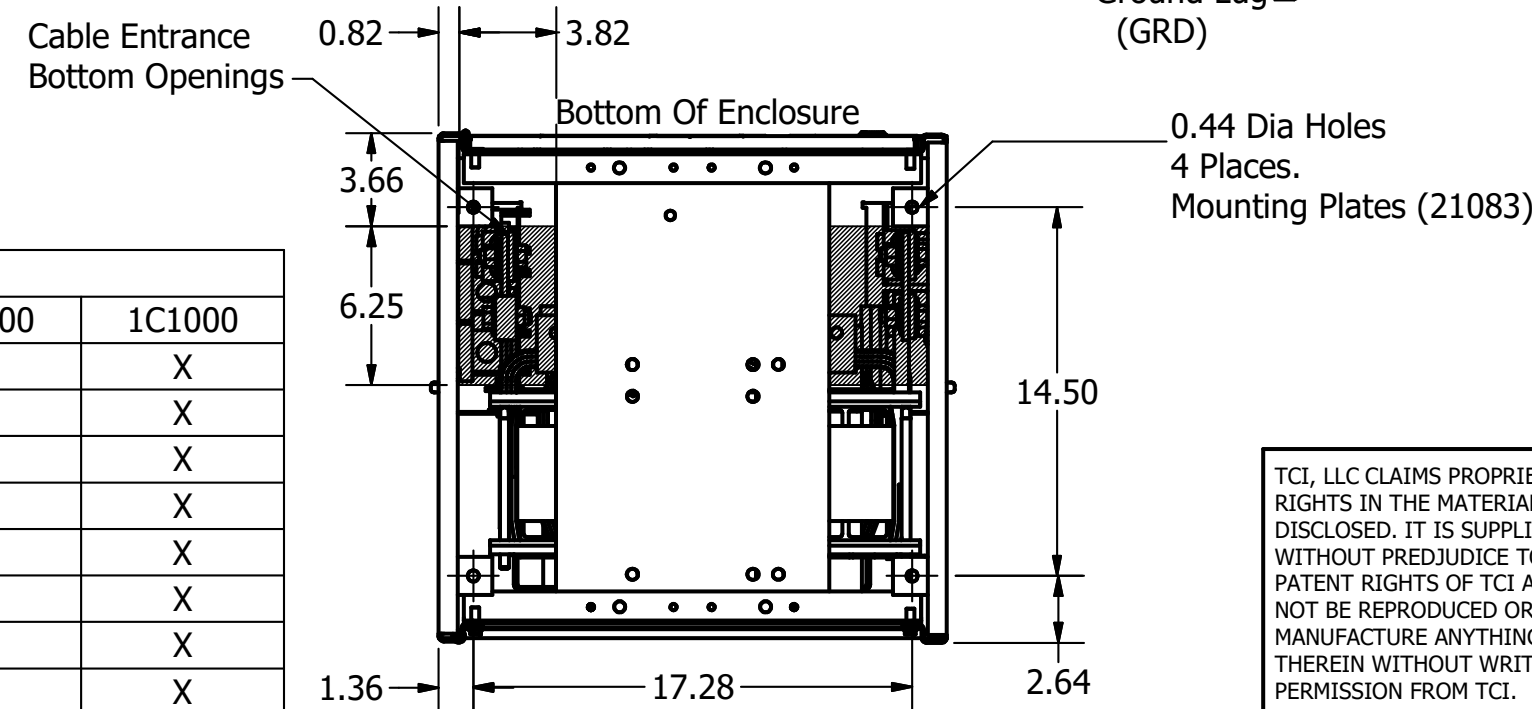
Ground Lug
Wire Range: Two, 350MCM to 4AWG.

HGP Eclosed Type 1 Part Number	Schematic Drawing #	Approx Weight (LBS)
HGP0400CW1S0000	29474-3	660
HGP0400CW1C0000	29474-2	670
HGP0400CW1S1000	29474-PQ1	662
HGP0400CW1C1000	29474-PQ	672



PQConnect Board Mounted on Front Door Of Enclosure. Optional

Components	HGP0400CW-----			
	1S0000	1C0000	1S1000	1C1000
Line Reactor (LR)	X	X	X	X
Trap Reactor (TR)	X	X	X	X
Capacitor (Cap)	X	X	X	X
Trap Fusing, FU1, FU2, FU3	X	X	X	X
Contactor (CNT)		X		X
Transformer (XFMR)	X	X	X	X
XFMR Fusing, FU4, FU5	X	X	X	X
PQConnect Board			X	X



Customer Is Responsible For Installation to Meet All National And Local Electrical Codes.

Material(s) Shall be RoHS Compliant

TCI, LLC CLAIMS PROPRIETARY RIGHTS IN THE MATERIAL HEREIN DISCLOSED. IT IS SUPPLIED WITHOUT PREJUDICE TO ANY PATENT RIGHTS OF TCI AND MAY NOT BE REPRODUCED OR USED TO MANUFACTURE ANYTHING SHOWN THEREIN WITHOUT WRITTEN PERMISSION FROM TCI.	TOLERANCES (EXCEPT AS NOTED)		W132 N10611 Grant Drive Germantown, WI 53022 HarmonicGuard Passive HGP, 400HP, 600/3/60, Type 1
	DECIMAL		
	.XX ± .25 .XXX ± .10		
	FRACTIONAL ± 1/16		
A As Designed	8/28/18	DSW	DRN BY: DSW DATE: 8/28/18 SCALE: 1/8 APRVD: 105526DG SIZE C SHT 1 OF 1
NO	REVISION	DATE	BY