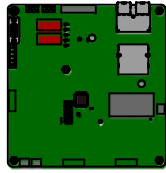
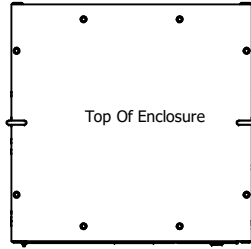


HGP Part Number	HorsePower (HP)	kVar	Harmonic	Voltage (V)	Maximum Amps (A)	Hz.	Phase
HGP0400AW----	400	120	5th	480	477	60	3



PQconnect Board Mounted on Front Door Of Enclosure. Optional

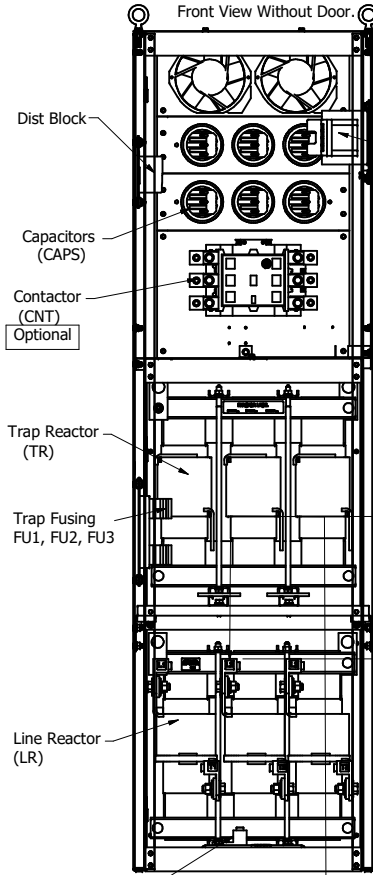
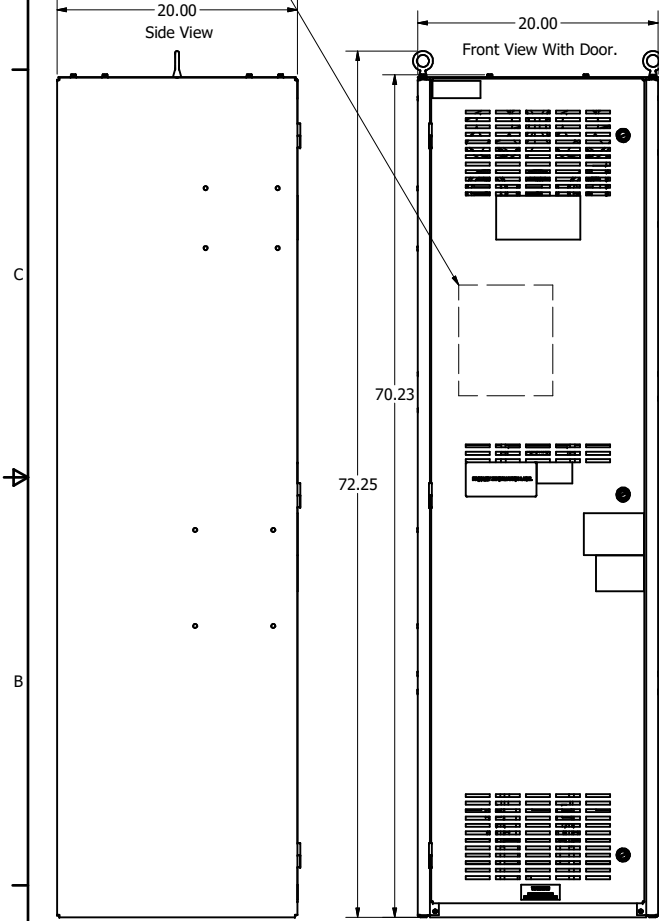


Customer Connections.
L1, L2, L3, T1, T2, T3
Wire Range: Two, 350MCM to 4AWG.

Ground Lug
Wire Range: Two, 350MCM to 4AWG.

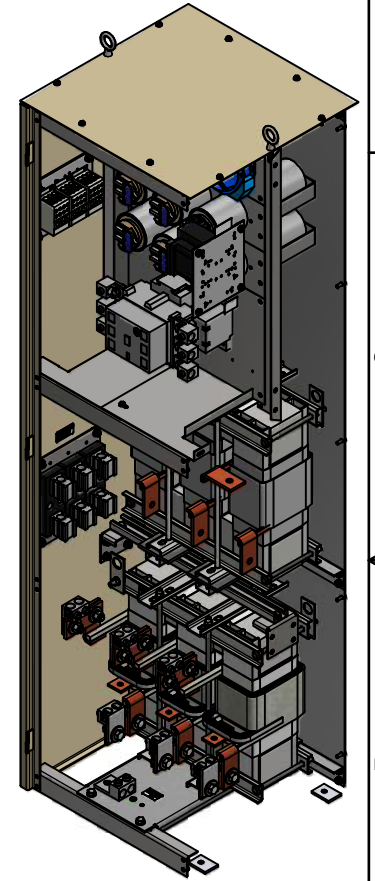
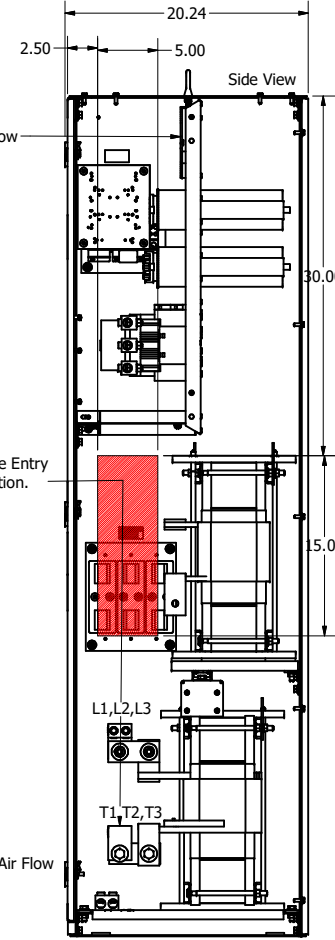
HGP Enclosed Type 1 Part Number	Schematic Drawing #	Approx Weight (LBS)
HGP0400AW1S0000	28697-5S	790
HGP0400AW1C0000	28697-5	800
HGP0400AW1S1000	29597-PQ1	792
HGP0400AW1C1000	29597-PQ	802

Note: For Torque Information See IOM Manual.



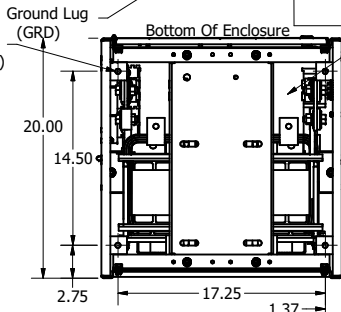
Transformer Fusing FU4, FU5
Transformer (XFMR)
Terminal Block (TB)
Terminal Block Location When Supplied

L1,L2,L3
T1,T2,T3
Preferred Customer Wire Entry And Exit Location.



400HP = 477 Amps
Bend Radius
2 x 350kcmil, Is 12 Inches.

0.44 Dia Holes
4 Places.
Mounting Plates (21083)



HGP0400AW----				
Components	1S0000	1C0000	1S1000	1C1000
Line Reactor (LR)	X	X	X	X
Trap Reactor (TR)	X	X	X	X
Capacitor (Cap)	X	X	X	X
Trap Fusing, FU1, FU2, FU3	X	X	X	X
Contactor (CNT)		X		X
Transformer (XFMR)	X	X	X	X
XFMR Fusing, FU4, FU5	X	X	X	X
PQConnect Board			X	X

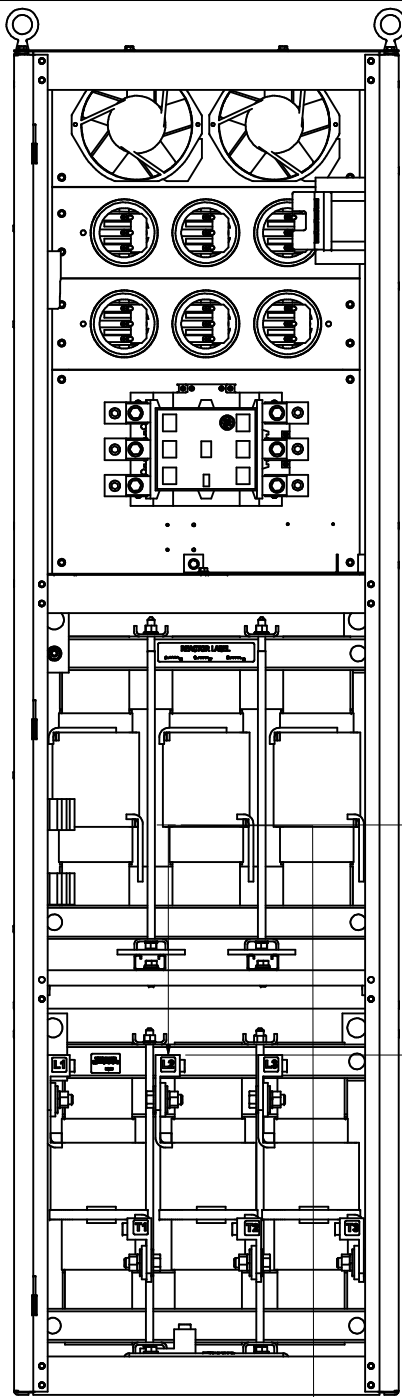
THE INFORMATION AND DESIGNS CONTAINED IN THIS DRAWING ARE CONFIDENTIAL AND THE PROPRIETARY PROPERTY OF ALLIED MOTION TECHNOLOGIES INC. AND ITS SUBSIDIARIES. NEITHER THIS DESIGN NOR ANY INFORMATION CONTAINED IN THIS DRAWING MAY BE REPRODUCED OR DISCLOSED TO OTHERS WITHOUT THE EXPRESS WRITTEN CONSENT OF ALLIED MOTION TECHNOLOGIES INC. AND ITS SUBSIDIARIES.

NO	REVISION	DATE	BY
1	471, Drawing Updates, Wire Entry Details	1/12/2020	DSW

TOLERANCES (EXCEPT AS NOTED)			
DECIMAL			
.XX	± .25		
.XXX	± .10		
FRACTIONAL			
1/16	± 1/16		
ANGULAR			
± 1°			

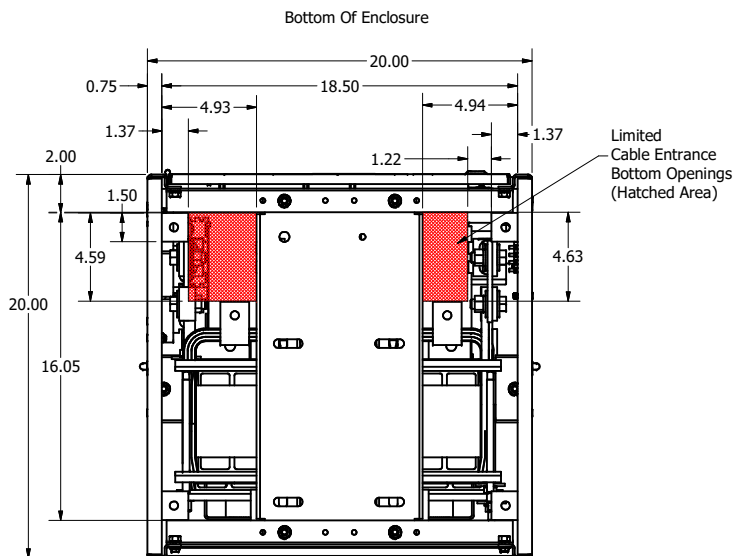
Material(s) Shall be RoHS Compliant			
		W132N10611 Grant Drive Germantown, WI 53022 © 2021 TCI, LLC	
An Official Motion Company HGP0400AW1----, HarmonicGuard Passive HGP, 400HP, 480/3/60, Type 1			
DESIGNED BY DSW	DRAWN BY DSW	DATE 4/2/2014	PART NUMBER 105494DG
SCALE 1/8"	TYPED BY DSW	CHECKED BY DSW	SHEET 1 OF 2

Customer Is Responsible For Installation to Meet All National And Local Electrical Codes.




12.00
 400HP = 477 Amps
 Bend Radius
 2 x 350kcmil, Is 12 Inches.

Limited
 Cable Entrance
 Bottom Openings
 (Hatched Area)



Customer Is Responsible For Installation to Meet All National And Local Electrical Codes.

Material(s) Shall be RoHS Compliant

THE INFORMATION AND DESIGNS CONTAINED IN THIS DRAWING ARE CONFIDENTIAL AND THE PROPRIETARY PROPERTY OF ALLIED MOTION TECHNOLOGIES INC. AND ITS SUBSIDIARIES. NEITHER THIS DESIGN NOR ANY INFORMATION CONTAINED IN THIS DRAWING MAY BE REPRODUCED OR DISCLOSED TO OTHERS WITHOUT THE EXPRESS WRITTEN CONSENT OF ALLIED MOTION TECHNOLOGIES INC. AND ITS SUBSIDIARIES.				TOLERANCES (EXCEPT AS NOTED) DECIMAL .XX ± .25 .XXX ± .10		 W132N10611 Grant Drive Germantown, WI 53022 © 2021 TCI, LLC
				FRACTIONAL ± 1/16 ANGULAR ± 1°		
NO	REVISION	DATE	BY	DESIGNED BY: DSW DRAWN BY: DSW SCALE: 1/5	DATE: 1/12/2021 PART NO: 105494DG SHEET: 2 OF 2	