

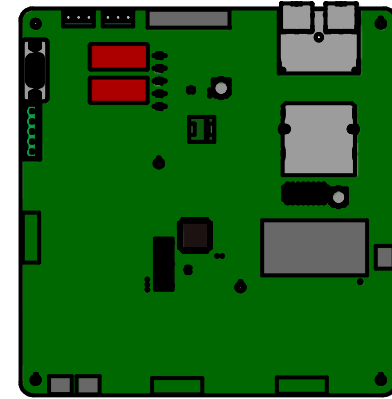
HGP Part Number	HorsePower (HP)	kVar	Harmonic	Voltage (V)	Hz.	Phase
HGP0350CW1---	300	105	5th	600	60	3

Note: For Torque Information See IOM Manual.

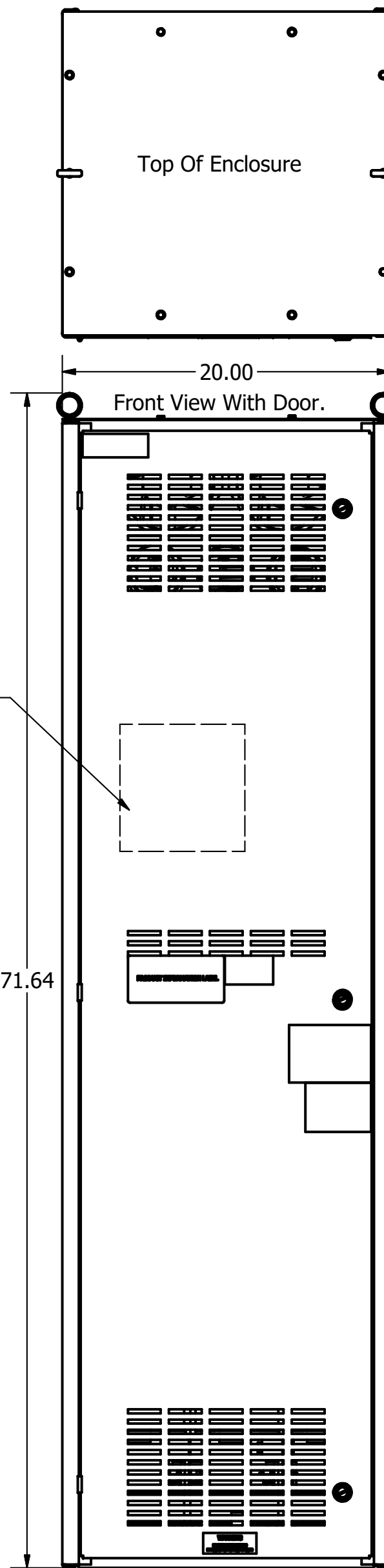
Customer Connections.
L1, L2, L3, T1, T2, T3
Wire Range: Two, 350MCM to 4AWG.

Ground Lug
Wire Range: Two, 350MCM to 4AWG.

HGP Eclosed Type 1 Part Number	Schematic Drawing #	Approx Weight (LBS)
HGP0350CW1S0000	29474-3	640
HGP0350CW1C0000	29474-2	650
HGP0350CW1S1000	29474-PQ1	642
HGP0350CW1C1000	29474-PQ	652



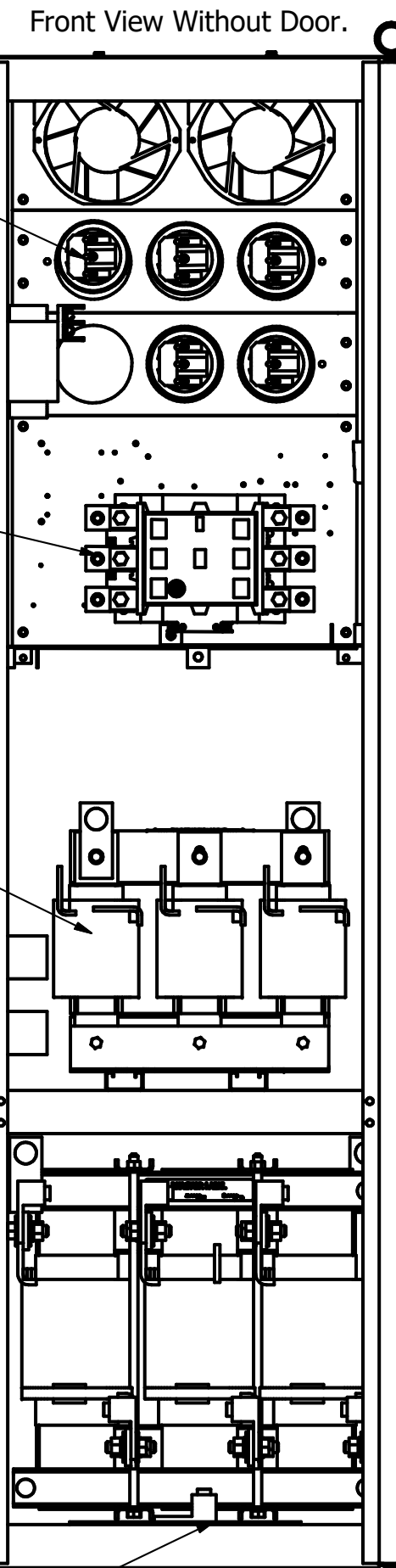
PQConnect Board Mounted on Front Door Of Enclosure. Optional



Capacitors (CAPS)

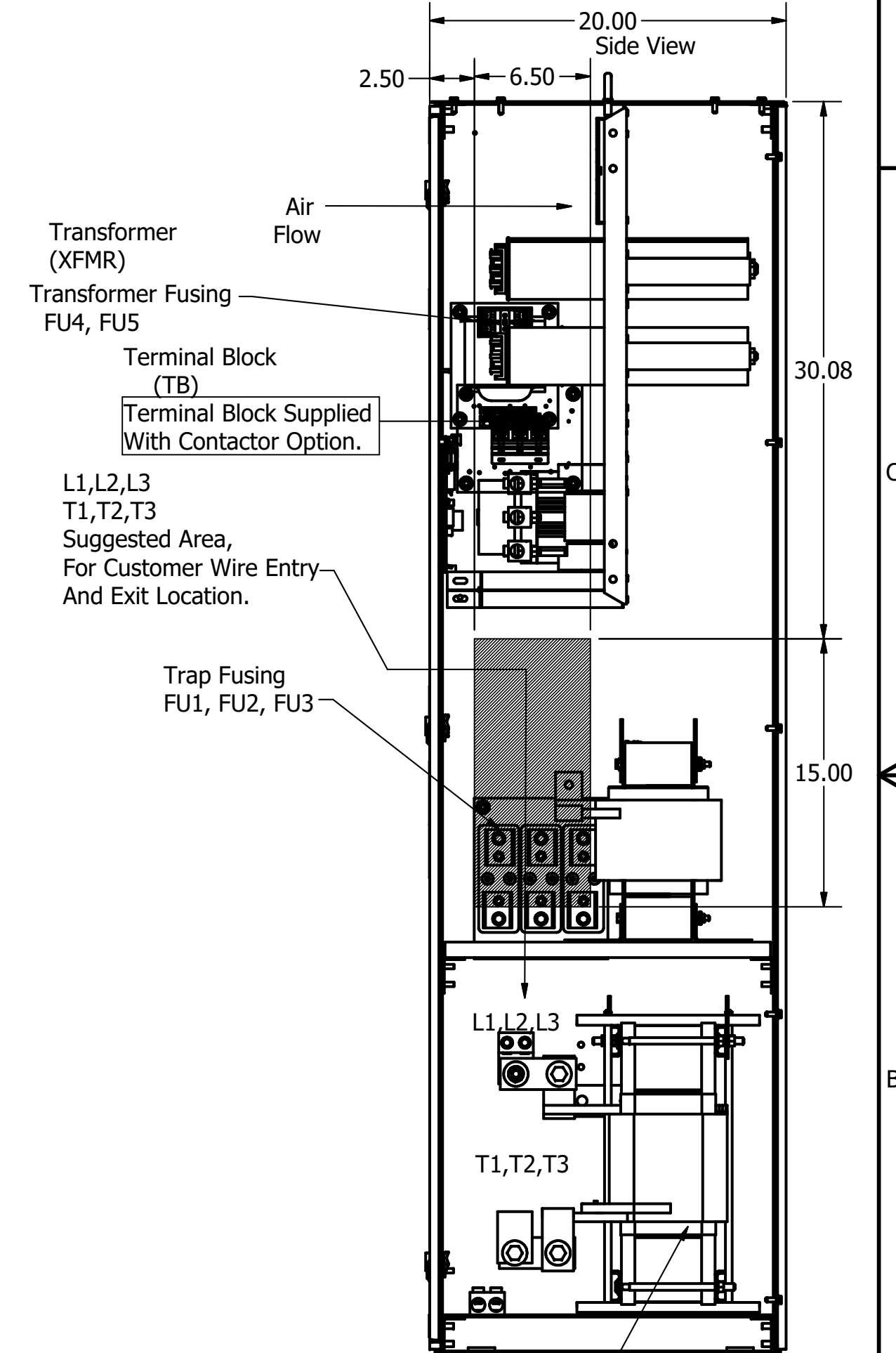
Contactor (CNT) Optional

Trap Reactor (TR)



Ground Lug (GRD)

0.44 Dia Holes 4 Places. Mounting Plates (21083)



Transformer (XFMR)

Transformer Fusing FU4, FU5

Terminal Block (TB)

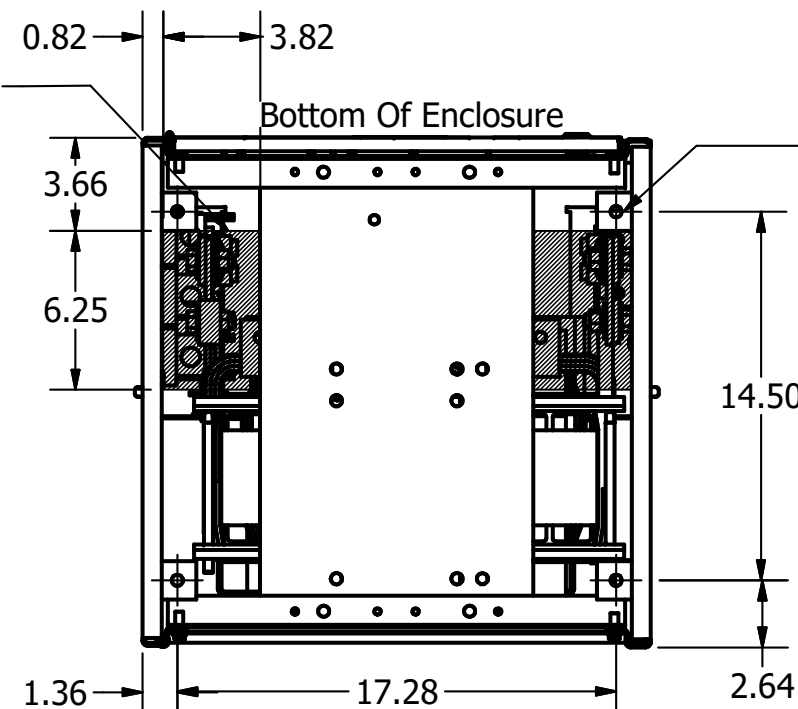
Terminal Block Supplied With Contactor Option.

L1, L2, L3
T1, T2, T3
Suggested Area, For Customer Wire Entry And Exit Location.

Trap Fusing FU1, FU2, FU3

Line Reactor (LR)

Components	HGP0350CW-----			
	1S0000	1C0000	1S1000	1C1000
Line Reactor (LR)	X	X	X	X
Trap Reactor (TR)	X	X	X	X
Capacitor (Cap)	X	X	X	X
Trap Fusing, FU1, FU2, FU3	X	X	X	X
Contactor (CNT)		X		X
Transformer (XFMR)	X	X	X	X
XFMR Fusing, FU4, FU5	X	X	X	X
PQConnect Board			X	X



Cable Entrance Bottom Openings

Customer Is Responsible For Installation to Meet All National And Local Electrical Codes.

Material(s) Shall be RoHS Compliant

TCI, LLC CLAIMS PROPRIETARY RIGHTS IN THE MATERIAL HEREIN DISCLOSED. IT IS SUPPLIED WITHOUT PREJUDICE TO ANY PATENT RIGHTS OF TCI AND MAY NOT BE REPRODUCED OR USED TO MANUFACTURE ANYTHING SHOWN THEREIN WITHOUT WRITTEN PERMISSION FROM TCI.

NO	REVISION	DATE	BY
A	As Designed	8/28/18	DSW

TOLERANCES (EXCEPT AS NOTED)	
DECIMAL	.XX ± .25 .XXX ± .10
FRACTIONAL	± 1/16
ANGULAR	± 1°

TCI W132 N10611 Grant Drive
Germantown, WI 53022

HarmonicGuard Passive
HGP, 350HP, 600/3/60, Type 1

DRN BY: DSW DATE: 8/28/18
SCALE: 1/8 APRVD: 105525DG
SIZE: C SHT 1 OF 1