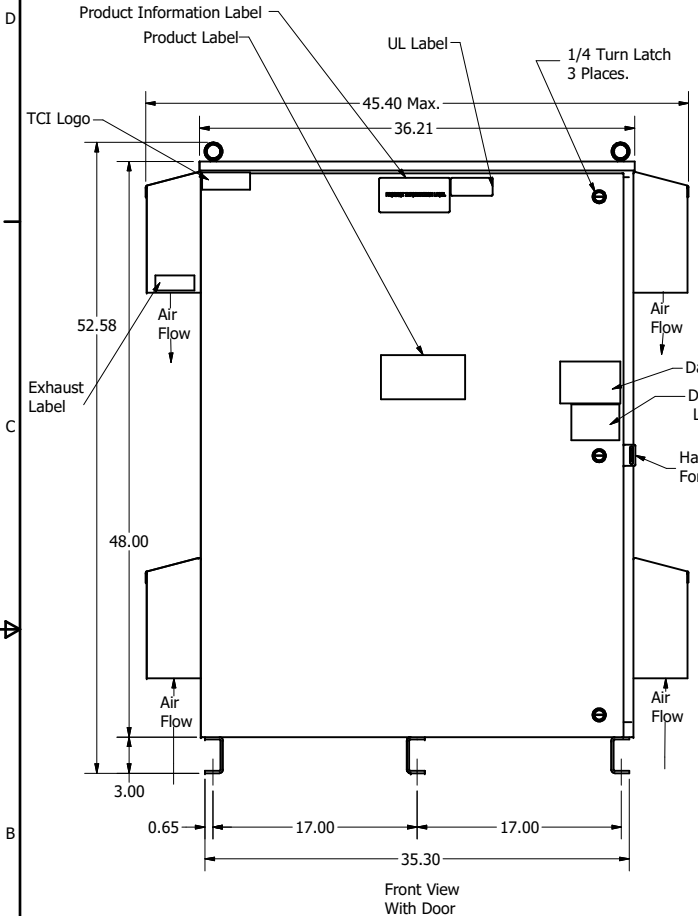


HGP Part Number	HorsePower (HP)	kVar	Harmonic	Maximum Amps (A)	Voltage (V)	HZ.	Phase
HGP0250CW3----	250	75	5th	242	600	60	3
HGP0300CW3----	300	90	5th	289	600	60	3

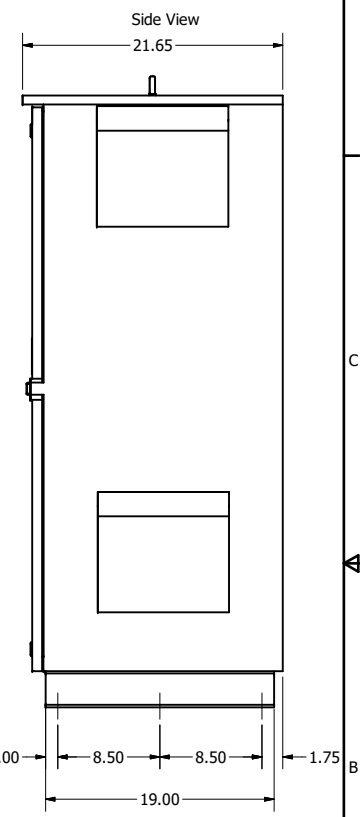
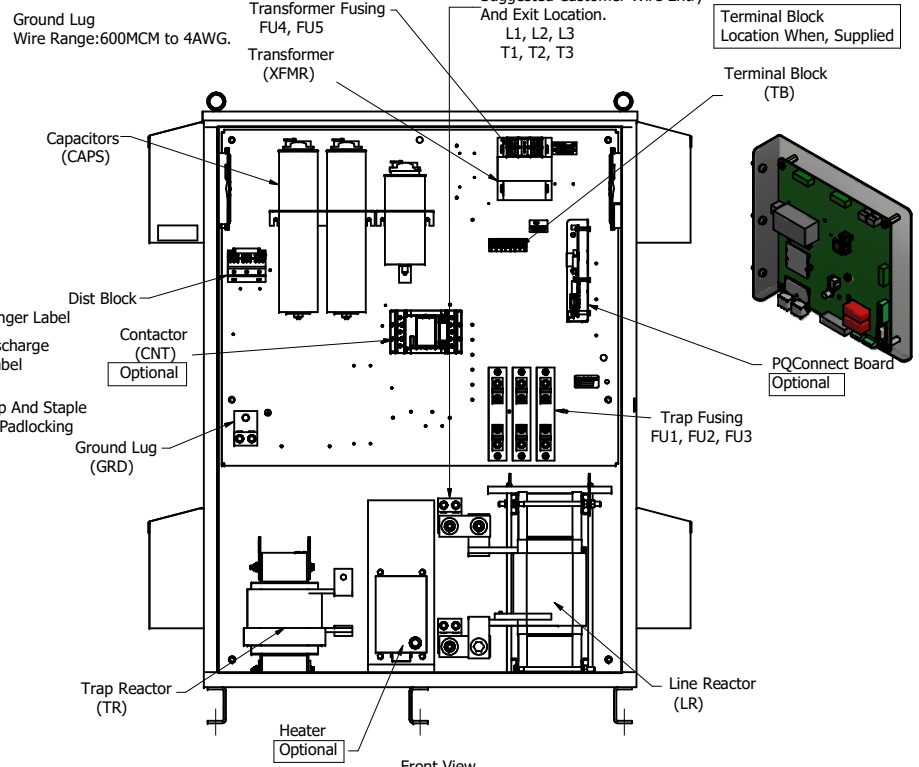
Note: For Torque Information See IOM Manual  
 Customer Connections. L1, L2, L3, T1, T2, T3  
 Wire Range: 600MCM to 4AWG.

HGP Part Number	Schematic Drawing #	Approx Weight (LBS)
HGP0250CW3S0000	29474-4	580
HGP0250CW3C0000	29474-5	584
HGP0250CW3C000H	29475-6	590
HGP0250CW3C1000	29474-PQ1	582
HGP0250CW3C1000	29474-PQ	586
HGP0250CW3C100H	29474-PQH	592

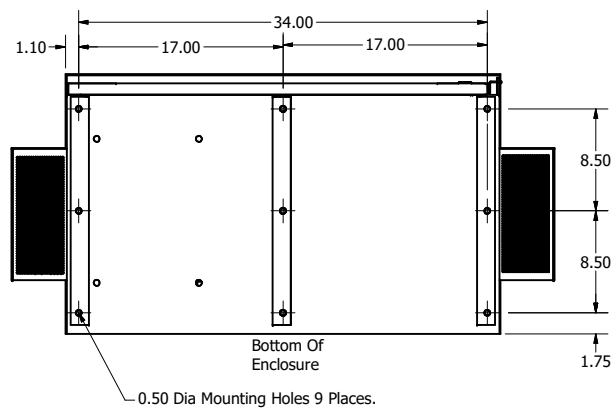
HGP Part Number	Schematic Drawing #	Approx Weight (LBS)
HGP0300CW3S0000	29474-4	736
HGP0300CW3C0000	29474-5	744
HGP0300CW3C000H	29474-6	750
HGP0300CW3C1000	29474-PQ1	738
HGP0300CW3C1000	29474-PQ	746
HGP0300CW3C100H	29474-PQH	752



Ground Lug Wire Range: 600MCM to 4AWG.



	HGP0250CW3-----	HGP0300CW3-----
Components	S0000	C0000
Line Reactor (LR)	x	x
Trap Reactor (TR)	x	x
Capacitor (Cap)	x	x
Trap Fusing, FU1, FU2, FU3	x	x
Contactor (CNT)		x
Transformer (XFMR)	x	x
XFMR Fusing, FU4, FU5	x	x
Heater		x
PQConnect Board		x



Customer Is Responsible For Installation to Meet All National And Local Electrical Codes.  
 NOTE: USE ONLY HUBS OR FITTINGS THAT COMPLY WITH UL514B FOR TYPE 3R ENCLOSURES

Material(s) Shall be RoHS Compliant

THE INFORMATION AND DESIGNS CONTAINED IN THIS DRAWING ARE CONFIDENTIAL AND THE PROPRIETARY PROPERTY OF ALLIED MOTION TECHNOLOGIES INC. AND ITS SUBSIDIARIES. NEITHER THIS DESIGN NOR ANY INFORMATION CONTAINED IN THIS DRAWING MAY BE REPRODUCED OR DISCLOSED TO OTHERS WITHOUT THE EXPRESS WRITTEN CONSENT OF ALLIED MOTION TECHNOLOGIES INC. AND ITS SUBSIDIARIES.

NO	REVISION	DATE	BY
C	5654, GE to ABB CNT chg.	3/10/2022	
B	Add PQconnect	9/1/18	DSW

TOLERANCES (EXCEPT AS NOTED)		SCALE	
DECIMAL	.XX ±.25 .XXX ±.10	1/8	AS SHOWN
FRACTIONAL	± 1/16		
ANGULAR	± 1°		

**TCI** W182N10611 (Rev 13) Feb  
 Germantown, WI 53022  
 © 2022 TCI, LLC  
 An Official Motion Systems Company  
 HGP0250CW/HGP0300CW  
 250HP, 300HP, 600/3/60, Type 3R  
 DESIGNED BY: DSW DATE: 2/11/15  
 DRAWN BY: DSW DATE: 2/11/15  
 CHECKED BY: DSW DATE: 2/11/15  
 105907DG  
 SHEET 1 OF 1