

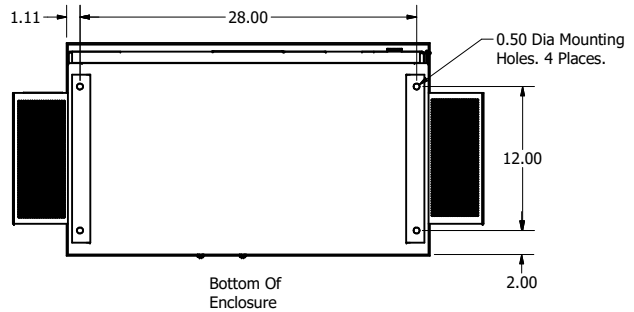
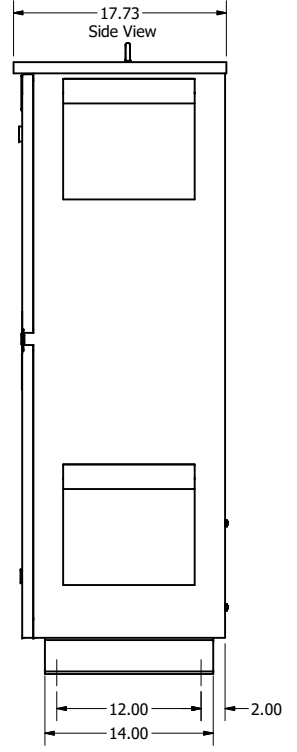
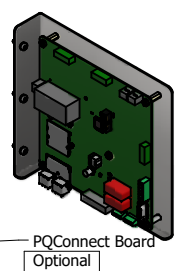
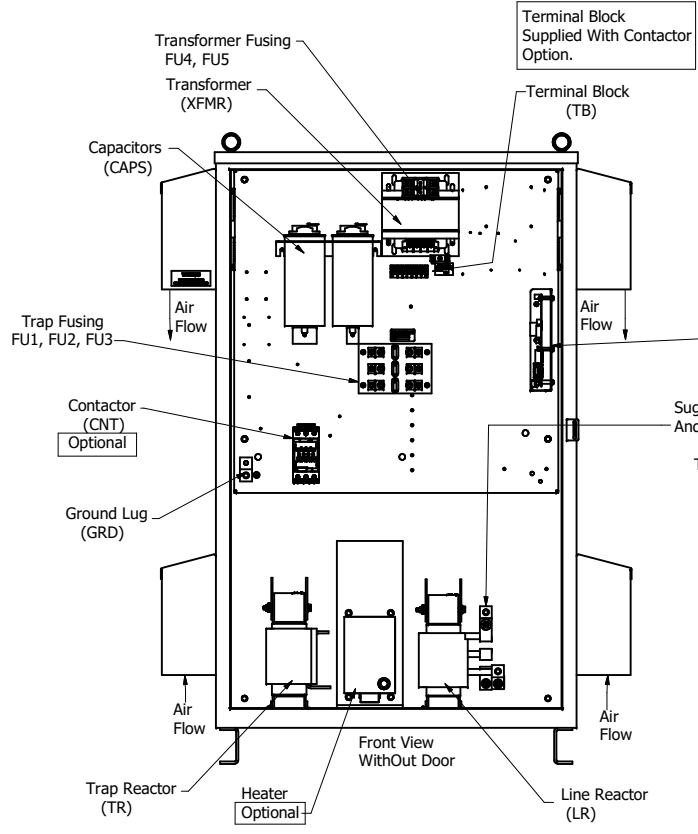
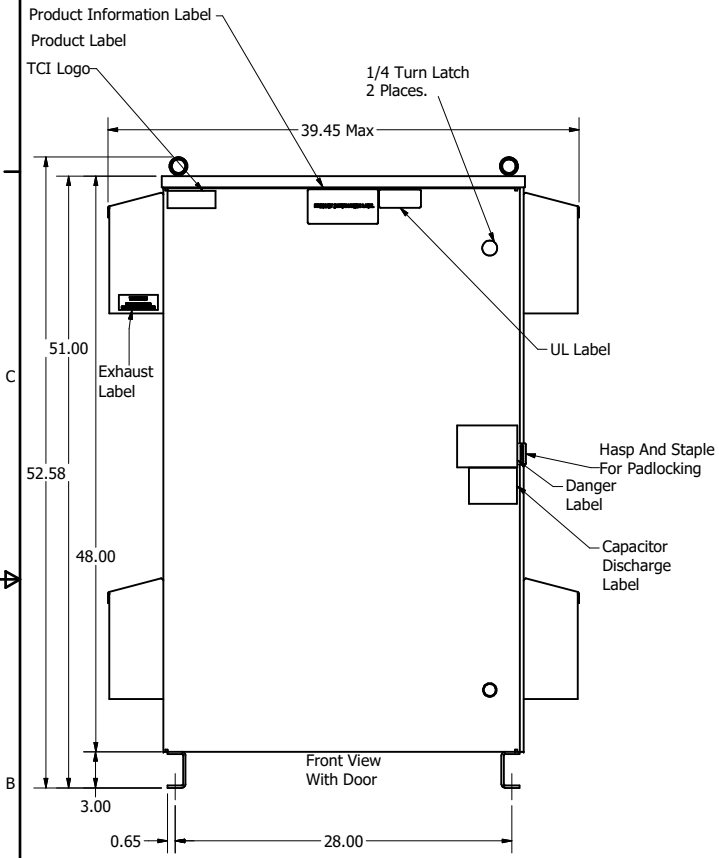
HGP Part Number	HorsePower (HP)	kVar	Harmonic	Voltage (V)	Maximum Amps (A)	Hz.	Phase
HGP0150AW3----	150	45	5th	480	180	60	3

Note: For Torque Information See IOM Manual

Customer Connections.
L1, L2, L3, T1, T2, T3
Wire Range: 250MCM to 6AWG.

Ground Lug
Wire Range: 250MCM to 6AWG.

HGP Part Number	Schematic Drawing #	Approx Weight (LBS)
HGP0150AW3S0000	28697-4S	400
HGP0150AW3C0000	28697-4	405
HGP0150AW3C000H	28697-4H	410
HGP0150AW3S1000	29597-PQ1	403
HGP0150AW3C1000	29597-PQ	408
HGP0150AW3C100H	29597-PQH	412



HGP0150AW3----						
Components	S0000	C0000	C000H	S1000	C1000	C100H
Line Reactor (LR)	x	x	x	X	X	X
Trap Reactor (TR)	x	x	x	X	X	X
Capacitor (Cap)	x	x	x	X	X	X
Trap Fusing, FU1, FU2, FU3	x	x	x	X	X	X
Contactor (CNT)		x	x		X	X
Transformer (XFMR)	x	x	x	X	X	X
XFMR Fusing, FU4, FU5	x	x	x	X	X	X
FU6						X
Heater			x			X
PQConnect Board				X	X	X

Customer Is Responsible For Installation to Meet All National And Local Electrical Codes.

NOTE: USE ONLY HUBS OR FITTINGS THAT COMPLY WITH UL514B FOR TYPE 3R ENCLOSURES

Material(s) Shall be RoHS Compliant

THE INFORMATION AND DESIGNS CONTAINED IN THIS DRAWING ARE CONFIDENTIAL AND THE PROPRIETARY PROPERTY OF ALLIED MOTION TECHNOLOGIES INC. AND ITS SUBSIDIARIES. NEITHER THIS DESIGN NOR ANY INFORMATION CONTAINED IN THIS DRAWING MAY BE REPRODUCED OR DISCLOSED TO OTHERS WITHOUT THE EXPRESS WRITTEN CONSENT OF ALLIED MOTION TECHNOLOGIES INC. AND ITS SUBSIDIARIES.	D	5636, GE to ABB CNT CHG.	1/14/2022	DSW	FRACTIONAL	TOLERANCES (EXCEPT AS NOTED) DECIMAL .XX ± .25 .XXX ± .10 FRACTIONAL ± 1/16 ANGULAR ± 1°	W182N10611 (Rev 13 Feb 2022) Germantown, WI 53022 © 2022 TCI, LLC An Official Motion Group Company	
	C	Add PQconnect	6/11/18	DSW	ANGULAR			
	NO	REVISION	DATE	BY	SCALE			1/8
	Harmonic Guard Passive HGP, 150HP, 480/3/60, Type 3R 105563DG							