

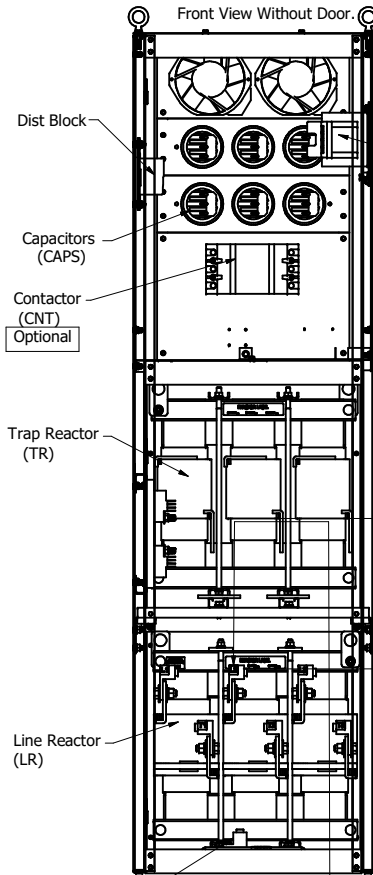
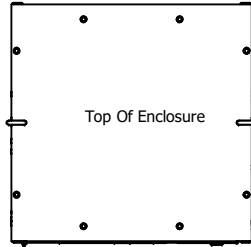
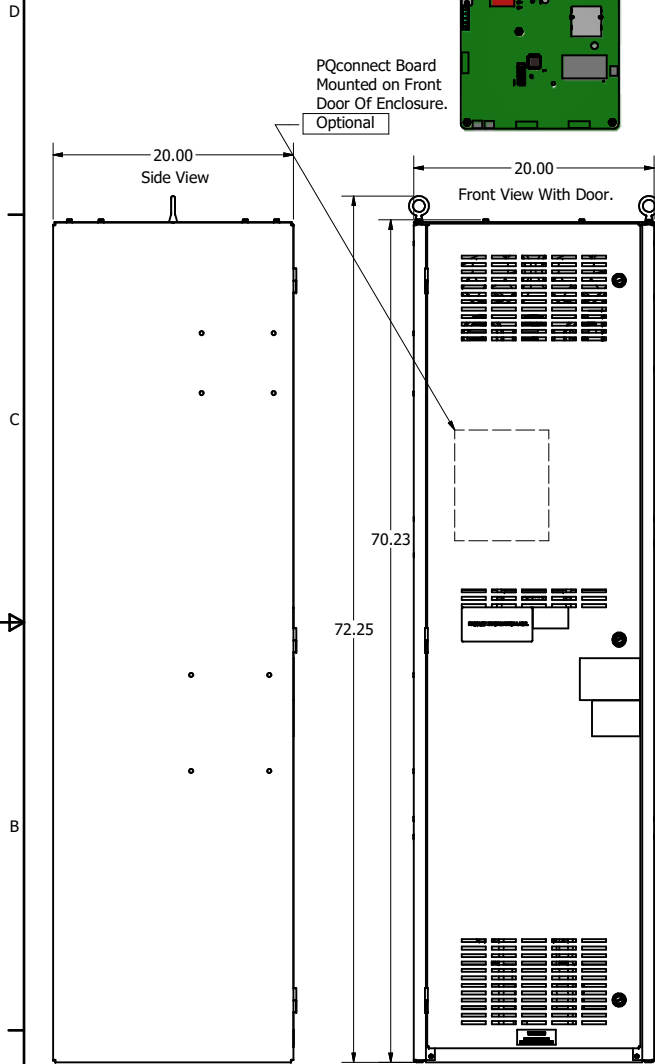
HGP Part Number	HorsePower (HP)	kVar	Harmonic	Voltage (V)	Hz.	Phase
HGP0100DW----	100	22.5	5th	208	60	3

HGP Eclosed Type 1 Part Number	Schematic Drawing #	Approx Weight (LBS)
HGP0100DW1S0000	28697-208-2S	790
HGP0100DW1C0000	28697-208	800
HGP0100DW1S1000	28697-DWPQ1	792
HGP0100DW1C1000	28697-DWPQ	802

Note: For Torque Information See IOM Manual.

Customer Connections.
L1, L2, L3, T1, T2, T3
Wire Range: Two, 350MCM to 4AWG.

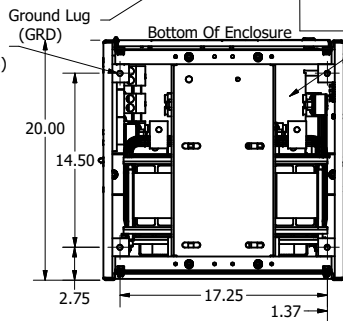
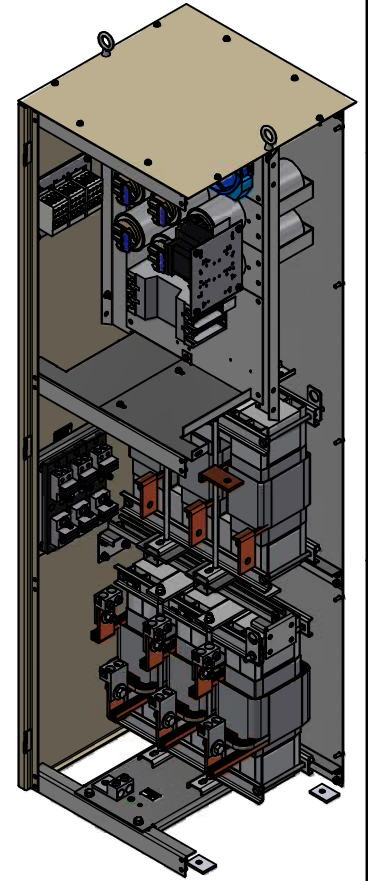
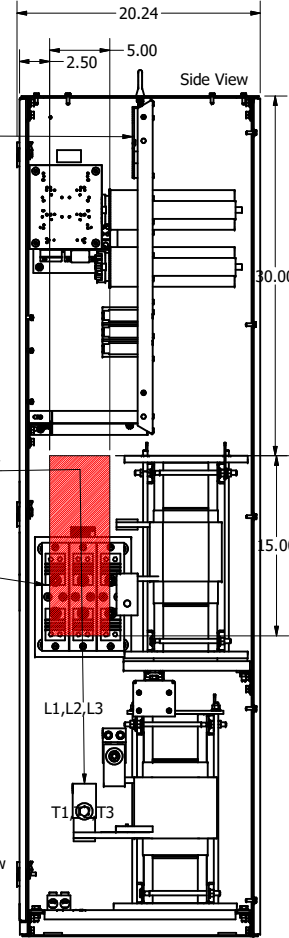
Ground Lug
Wire Range: Two, 350MCM to 4AWG.



Transformer Fusing
FU4, FU5
Transformer
(XFMR)
Terminal Block
(TB)
Terminal Block Location
When Supplied

L1,L2,L3
T1,T2,T3
Preferred
Customer Wire Entry
And Exit Location.

Trap Fusing
FU1, FU2, FU3



0.44 Dia Holes
4 Places.
Mounting Plates (21083)

HGP0100DW1----				
Components	1S0000	1C0000	1S1000	1C1000
Line Reactor (LR)	X	X	X	X
Trap Reactor (TR)	X	X	X	X
Capacitor (Cap)	X	X	X	X
Trap Fusing, FU1, FU2, FU3	X	X	X	X
Contactor (CNT)		X		X
Transformer (XFMR)	X	X	X	X
XFMR Fusing, FU4, FU5	X	X	X	X
PQConnect Board			X	X

THE INFORMATION AND DESIGNS CONTAINED IN THIS DRAWING ARE CONFIDENTIAL AND THE PROPRIETARY PROPERTY OF ALLIED MOTION TECHNOLOGIES INC. AND ITS SUBSIDIARIES. NEITHER THIS DESIGN NOR ANY INFORMATION CONTAINED IN THIS DRAWING MAY BE REPRODUCED OR DISCLOSED TO OTHERS WITHOUT THE EXPRESS WRITTEN CONSENT OF ALLIED MOTION TECHNOLOGIES INC. AND ITS SUBSIDIARIES.

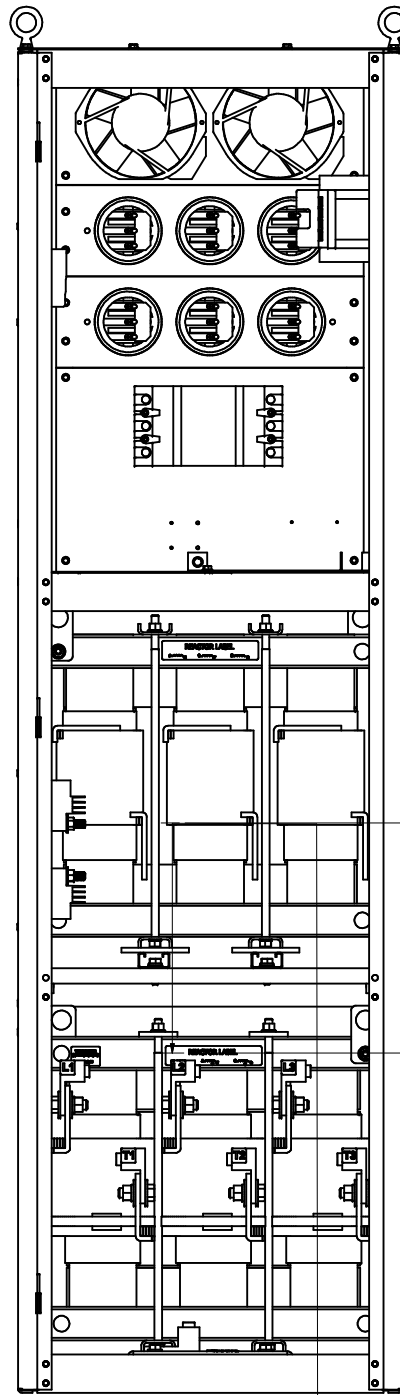
NO	REVISION	DATE	BY
A	As Drawn	3/16/2021	DSW

TOLERANCES (EXCEPT AS NOTED)	
DECIMAL	.XX ± .25 .XXX ± .10
FRACTIONAL	± 1/32
ANGULAR	± 1°

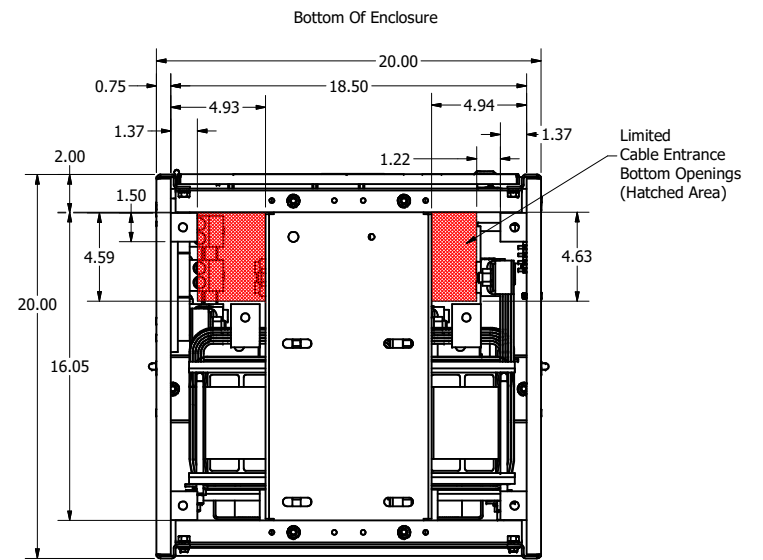
Material(s) Shall be RoHS Compliant

W182N10611 (Rev 13) © 2023 TCI, LLC
An Allied Motion Company
HGP0100DW1----, HarmonicGuard Passive
HGP, 100HP, 208/3/60, Type I
OWN BY: DSW DATE: 3/16/2021 108876DG
SCALE: 1/8 DRAWN: DSW
SHT 1 OF 2

Customer Is Responsible For Installation to Meet All National And Local Electrical Codes.



Limited Cable Entrance Bottom Openings (Hatched Area)




Customer Is Responsible For Installation to Meet All National And Local Electrical Codes.

Material(s) Shall be RoHS Compliant

THE INFORMATION AND DESIGNS CONTAINED IN THIS DRAWING ARE CONFIDENTIAL AND THE PROPRIETARY PROPERTY OF ALLIED MOTION TECHNOLOGIES INC. AND ITS SUBSIDIARIES. NEITHER THIS DESIGN NOR ANY INFORMATION CONTAINED IN THIS DRAWING MAY BE REPRODUCED OR DISCLOSED TO OTHERS WITHOUT THE EXPRESS WRITTEN CONSENT OF ALLIED MOTION TECHNOLOGIES INC. AND ITS SUBSIDIARIES.

NO	REVISION	DATE	BY

TOLERANCES (EXCEPT AS NOTED) DECIMAL .XX ± .25 .XXX ± .10		 W132N10611 (Rev 13 Feb) Germantown, WI 53022 © 2023 TCI, LLC
FRACTIONAL ± 1/32 ANGULAR ± 1°		
See Sheet 1 For Revisions		HGP, 100HP, 208/3/60, Type 1 Bottom Entry Detail
DRN BY: DSW	DATE: 3/16/2021	108876DG
SCALE: 1/5	DRAWN BY: DSW	SHEET: 2 OF 2