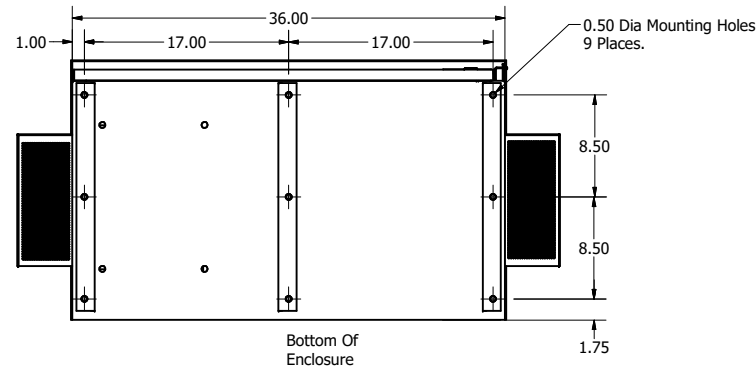
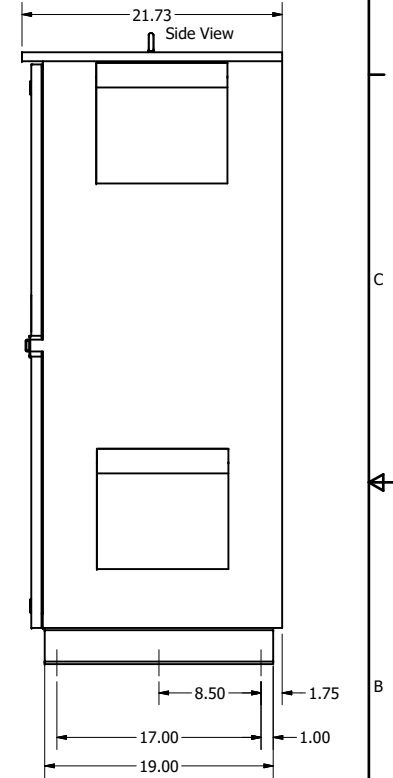
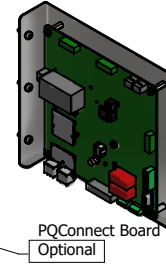
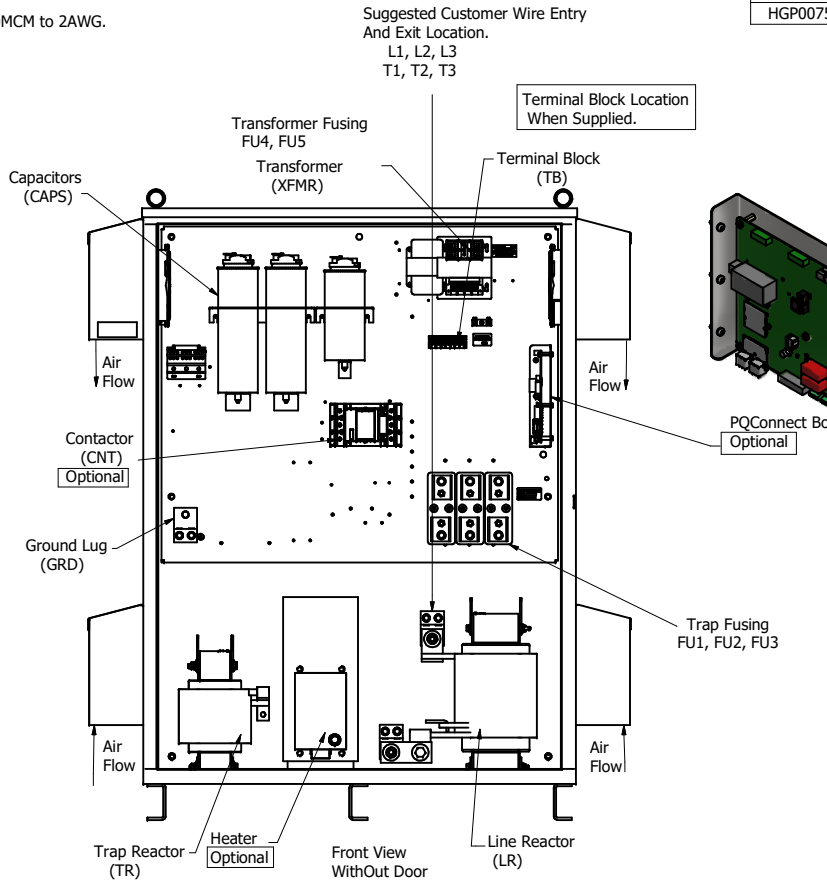
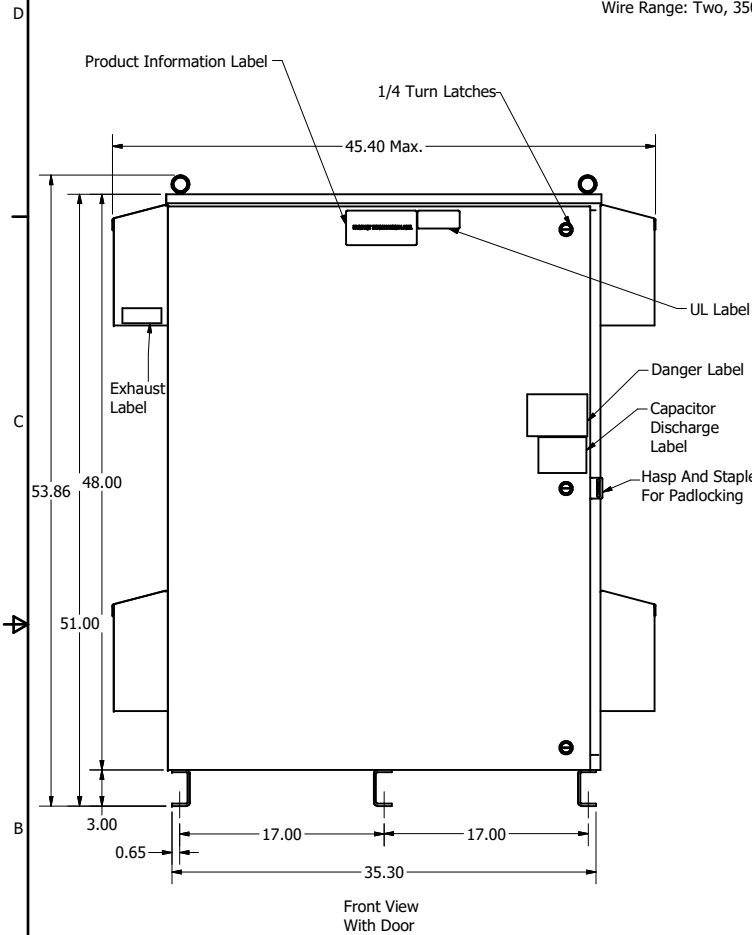


HGP Part Number	HorsePower (HP)	kVar	Harmonic	Voltage (V)	Hz.	Phase
HGP0075DW3----	75	17	5th	208	60	3

Note: For Torque Information See IOM Manual  
 Customer Connections. L1, L2, L3, T1, T2, T3  
 Wire Range: Two, 350MCM to 2AWG.  
 Ground Lug Wire Range: Two, 350MCM to 2AWG.

HGP Part Number	Schematic Drawing #	Approx Weight (LBS)
HGP0075DW3S0000	28697-208-2S	615
HGP0075DW3C0000	28697-208-2	620
HGP0075DW3C000H	28697-208-2H	625
HGP0075DW3S1000	28697-DWPQ1	618
HGP0075DW3C1000	28697-DWPQ	623
HGP0075DW3C100H	28697-DWPQH	628



HGP0075DW3----						
Components	S0000	C0000	C000H	S1000	C1000	C100H
Line Reactor (LR)	x	x	x	X	X	X
Trap Reactor (TR)	x	x	x	X	X	X
Capacitor (Cap)	x	x	x	X	X	X
Trap Fusing, FU1, FU2, FU3	x	x	x	X	X	X
Contactor (CNT)		x	x		X	X
Transformer (XFMR)	x	x	x	X	X	X
XFMR Fusing, FU4, FU5	x	x	x	X	X	X
Heater			x			X
PQConnect Board				X	X	X

Customer Is Responsible For Installation to Meet All National And Local Electrical Codes.  
 NOTE: USE ONLY HUBS OR FITTINGS THAT COMPLY WITH UL514B FOR TYPE 3R ENCLOSURES

Material(s) Shall be RoHS Compliant

THE INFORMATION AND DESIGNS CONTAINED IN THIS DRAWING ARE CONFIDENTIAL AND THE PROPRIETARY PROPERTY OF ALLIED MOTION TECHNOLOGIES INC. AND ITS SUBSIDIARIES. NEITHER THIS DESIGN NOR ANY INFORMATION CONTAINED IN THIS DRAWING MAY BE REPRODUCED OR DISCLOSED TO OTHERS WITHOUT THE EXPRESS WRITTEN CONSENT OF ALLIED MOTION TECHNOLOGIES INC. AND ITS SUBSIDIARIES.

REV	DESCRIPTION	DATE	BY
NO	REVISION	DATE	BY

TOLERANCES (EXCEPT AS NOTED)		DATE		SCALE	
DECIMAL	.XX ± .25 .XXX ± .10	DATE	12/01/20	SCALE	1/8
FRACTIONAL	± 1/32	DATE	12/01/20	SCALE	1/8
ANGULAR	± 1°	DATE	12/01/20	SCALE	1/8

**TCL** W182N10611 (Rev 13) Feb 2012  
 Germantown, WI 53012  
 © 2023 TCI, LLC  
 An Official Motion Systems Company  
 Harmonic Guard Passive  
 HGP\_75HP\_208/3/60\_Type 3R  
 108787DG  
 SHEET 1 OF 1