

HGP Open Part Number	Schematic Drawing #	Approx Weight (LBS)
HGP0060CW0S0000	29474	135
HGP0060CW0C0000	29474-1	140
HGP0060CW0S1000	29474-PQ1	138
HGP0060CW0C1000	29474-PQ	143

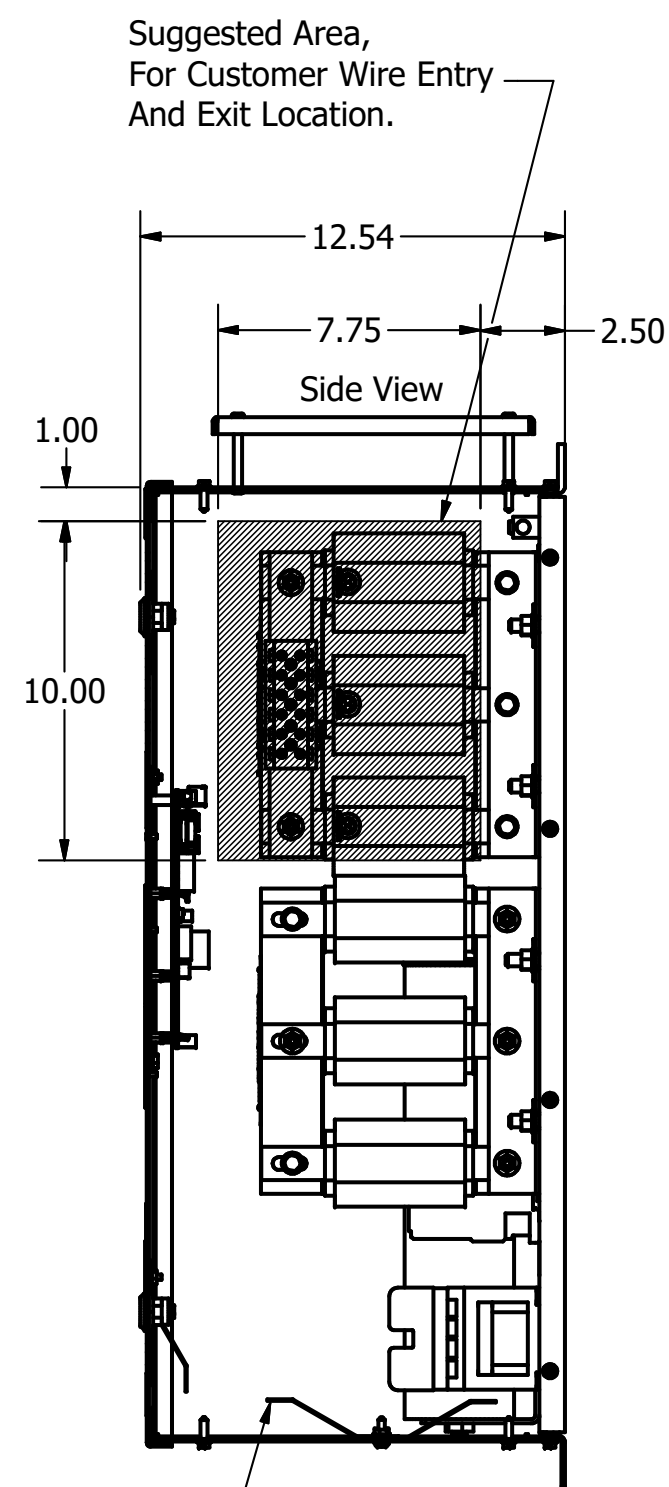
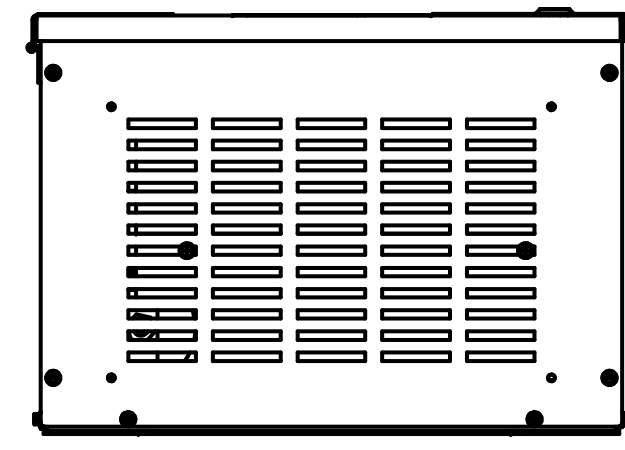
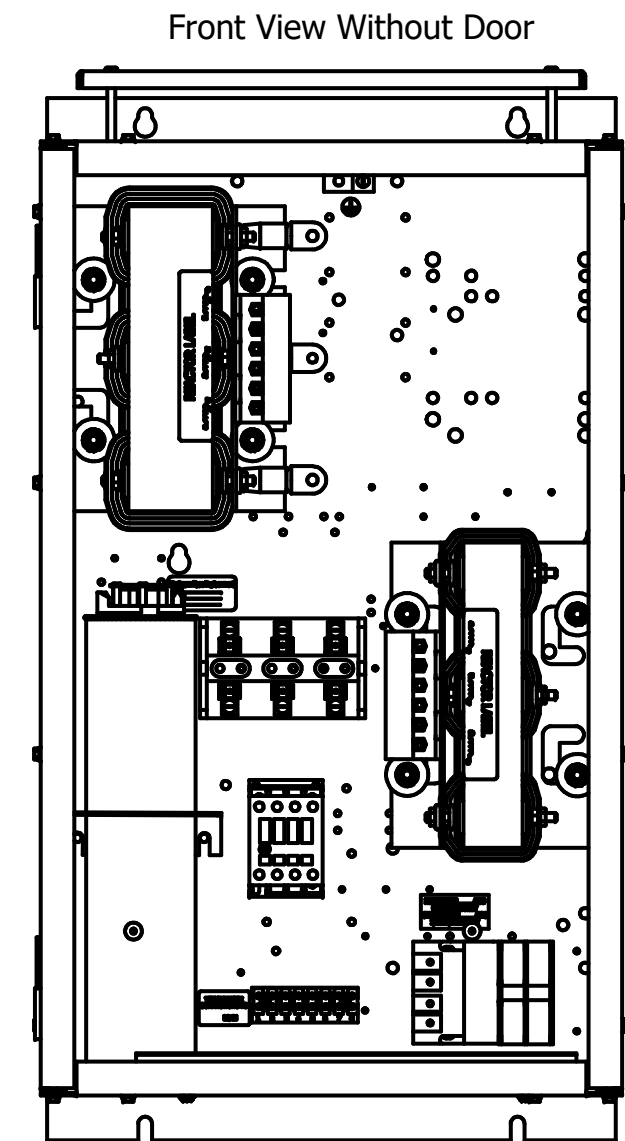
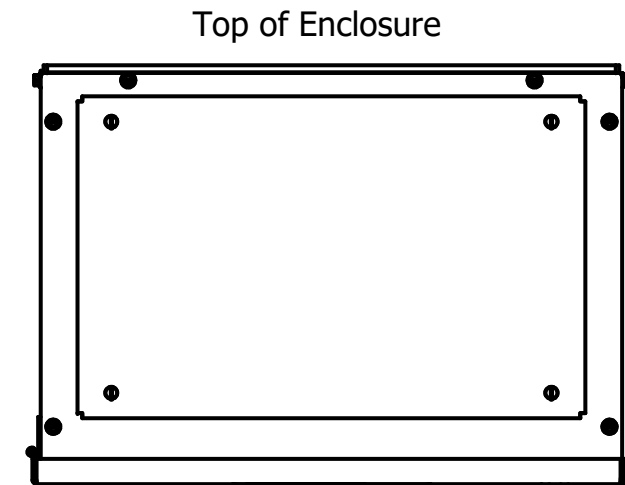
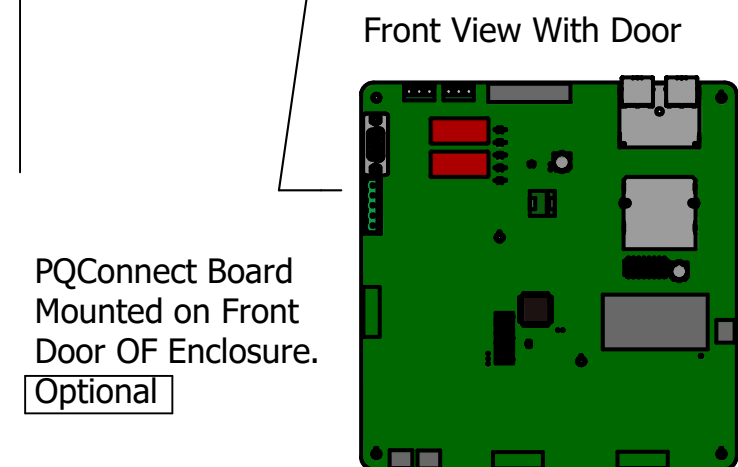
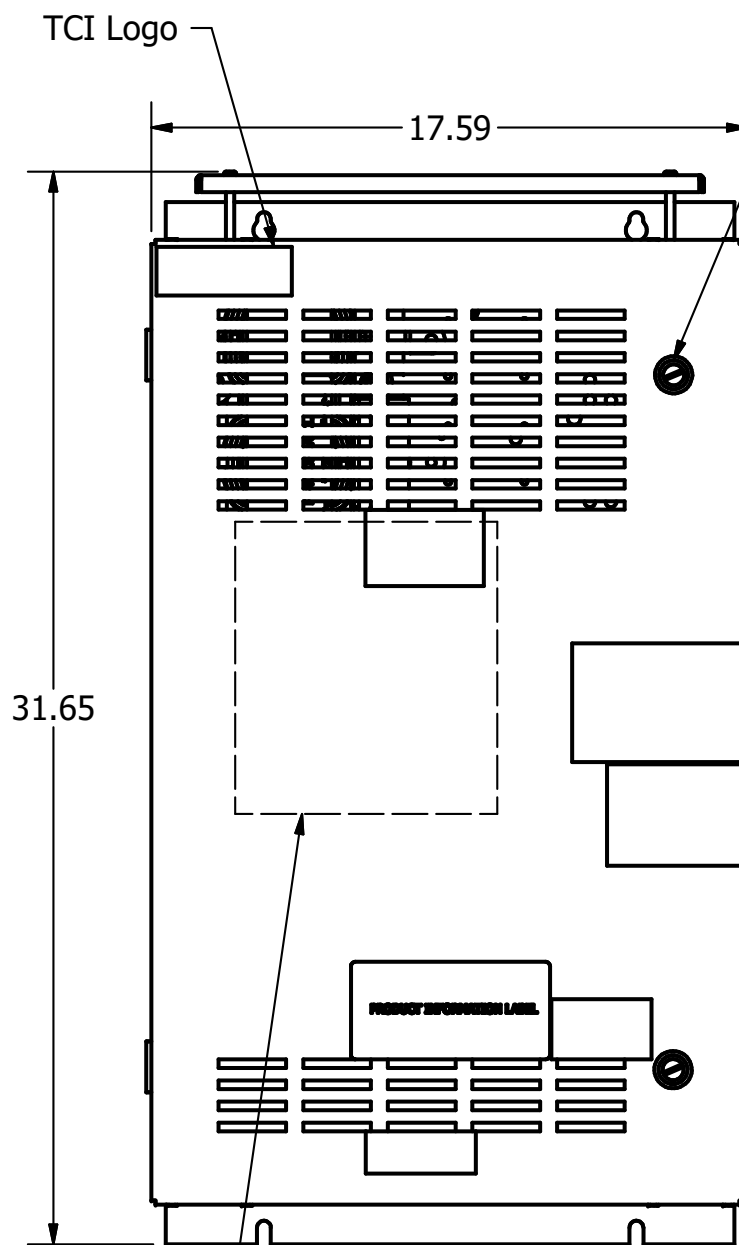
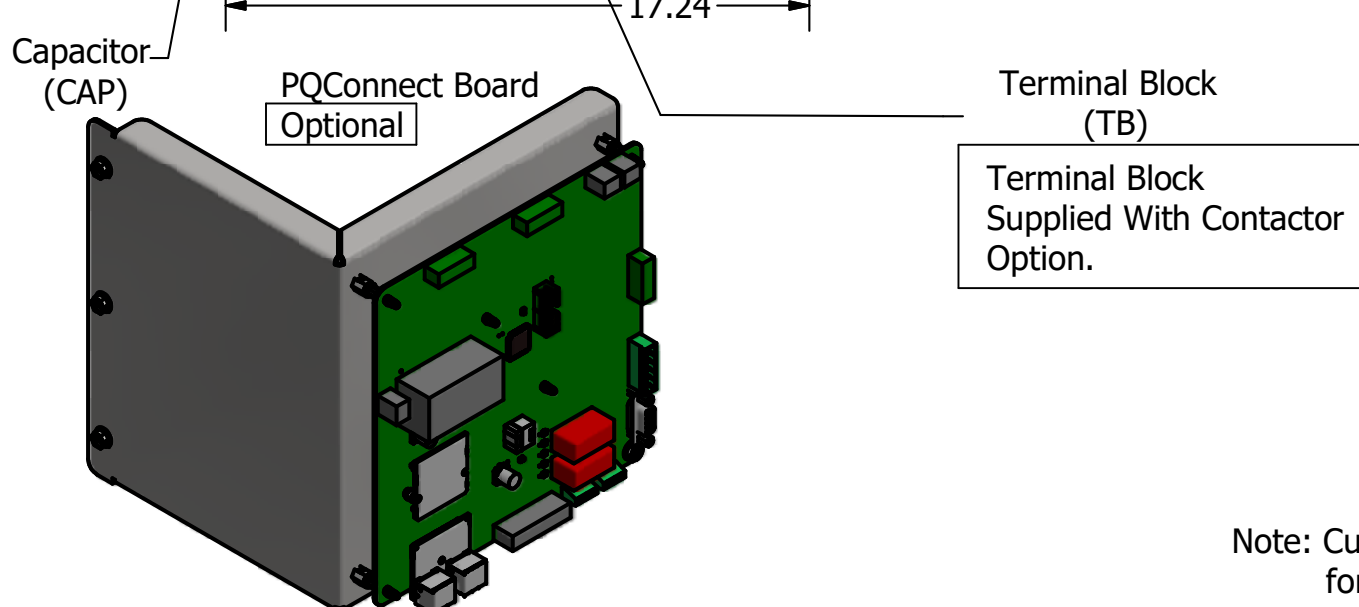
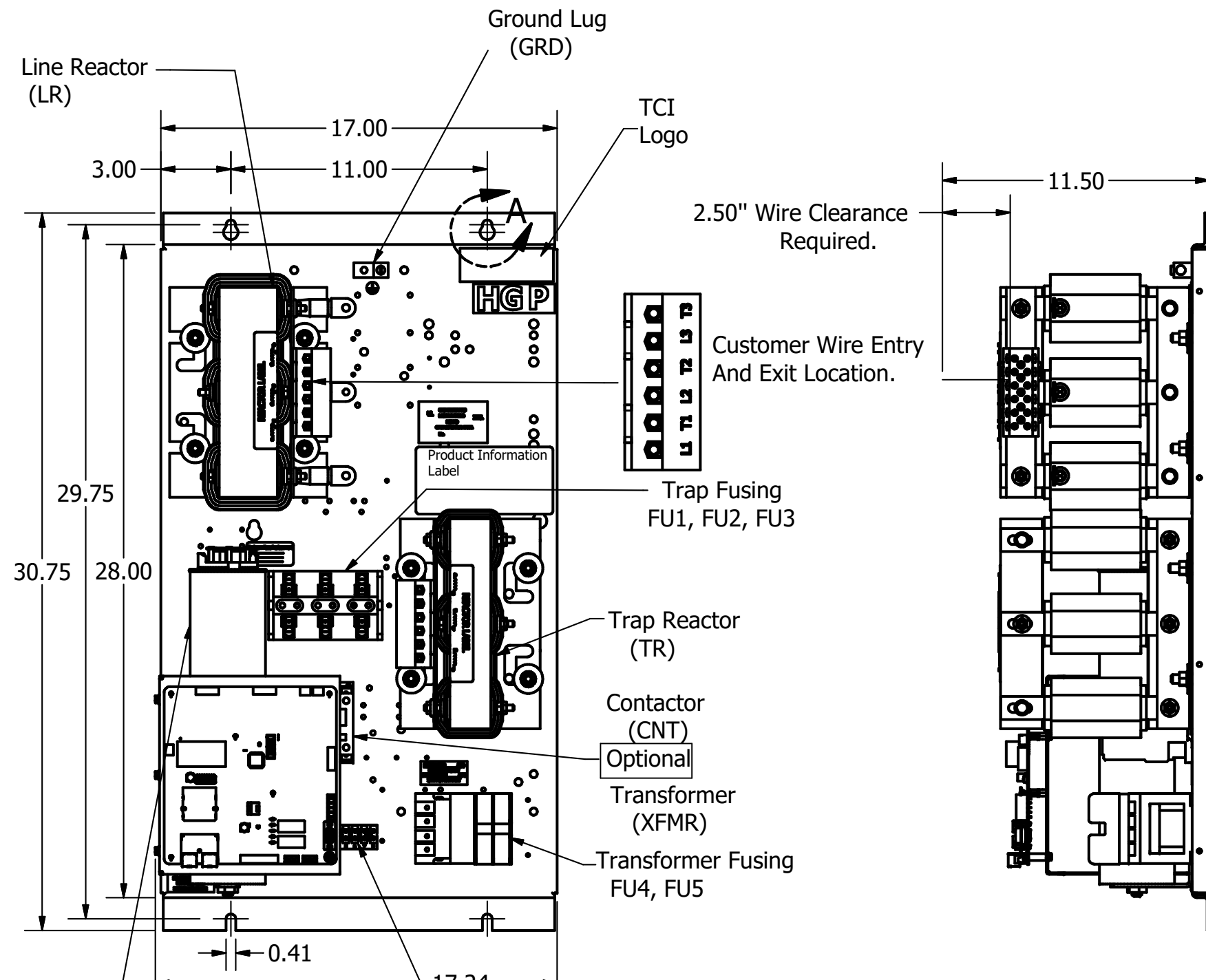
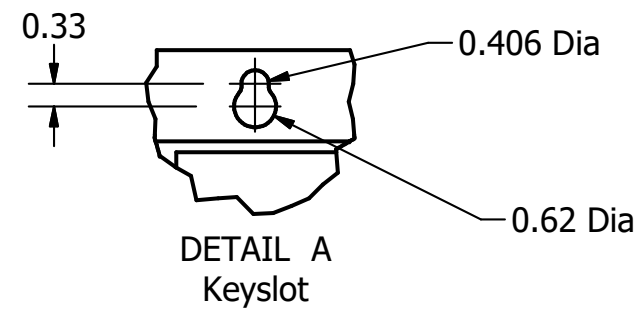
HGP Part Number	HorsePower (HP)	kVar	Harmonic	Voltage (V)	Hz.	Phase
HGP0060CW----	60	20	5th	600	60	3

HGP Eclosed Type 1 Part Number	Schematic Drawing #	Approx Weight (LBS)
HGP0060CW1S0000	29474-S	200
HGP0060CW1C0000	29474-1	204
HGP0060CW1S1000	29474-PQ1	202
HGP0060CW1C1000	29474-PQ	207

Note: For Torque Information
See IOM Manual

Customer Connections.
L1, T1, L2, T2, L3, T3
Wire Range: 1 AWG to 22 AWG.

Ground Lug
Wire Range: 1/0 to 14 AWG.



UL Required Shields
3 Places.

Note: Customer is responsible for proper cooling of filter components on open panels. Capacitors Maximum Ambient 50°C.

Components	HGP0060CW----			
	0S0000/1S0000	0C0000/1C0000	0S1000/1S1000	0C1000/1C1000
Line Reactor (LR)	X	X	X	X
Trap Reactor (TR)	X	X	X	X
Capacitor (Cap)	X	X	X	X
Trap Fusing, FU1, FU2, FU3	X	X	X	X
Contactor (CNT)		X		X
Transformer (XFMR)	X	X	X	X
XFMR Fusing, FU4, FU5	X	X	X	X
PQConnect Board			X	X

Customer Is Responsible For Installation to Meet All National And Local Electrical Codes.

Material(s) Shall be RoHS Compliant

TCI, LLC CLAIMS PROPRIETARY RIGHTS IN THE MATERIAL HEREIN DISCLOSED. IT IS SUPPLIED WITHOUT PREJUDICE TO ANY PATENT RIGHTS OF TCI AND MAY NOT BE REPRODUCED OR USED TO MANUFACTURE ANYTHING SHOWN THEREIN WITHOUT WRITTEN PERMISSION FROM TCI.	TOLERANCES (EXCEPT AS NOTED)			
	DECIMAL	.XX ± .25		
	FRACTIONAL	.XXX ± .10		
	ANGULAR	± 1/16		
A	PQConnect Board Added.	8/23/18	DSW	
NO	REVISION	DATE	BY	

W132 N10611 Grant Drive
Germantown, WI 53022

HarmonicGuard Passive
HGP, 60HP, 60/3/60, Open and Type 1.

DRN BY: DSW DATE: 8/23/18
SCALE: 1/8 APRVD: SIZE: C
105704DG
SHT 1 OF 1