

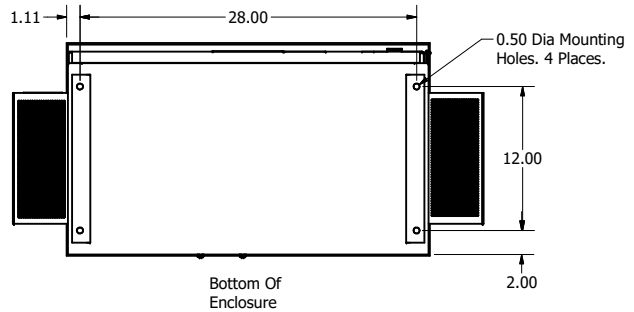
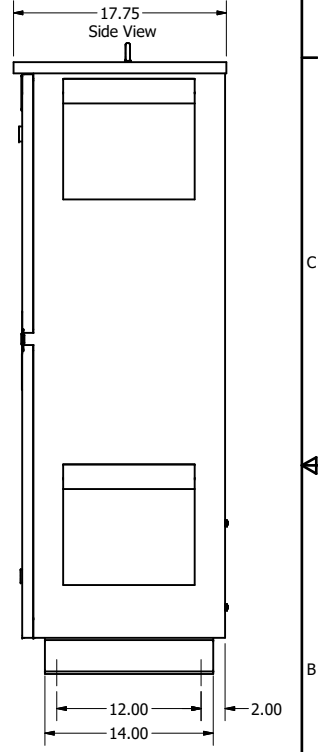
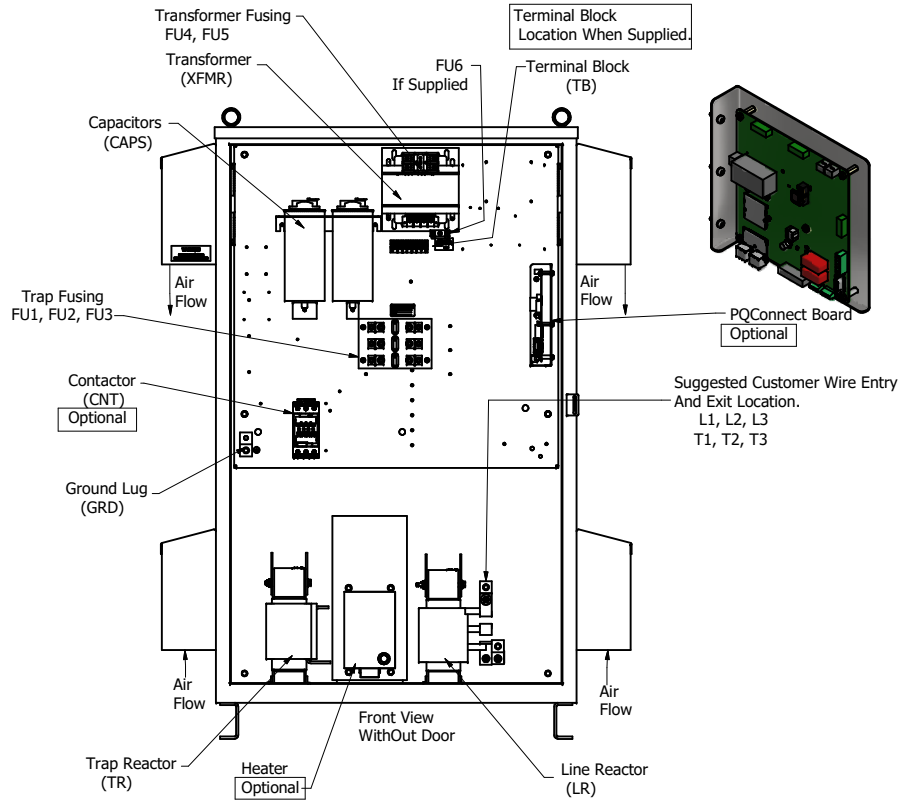
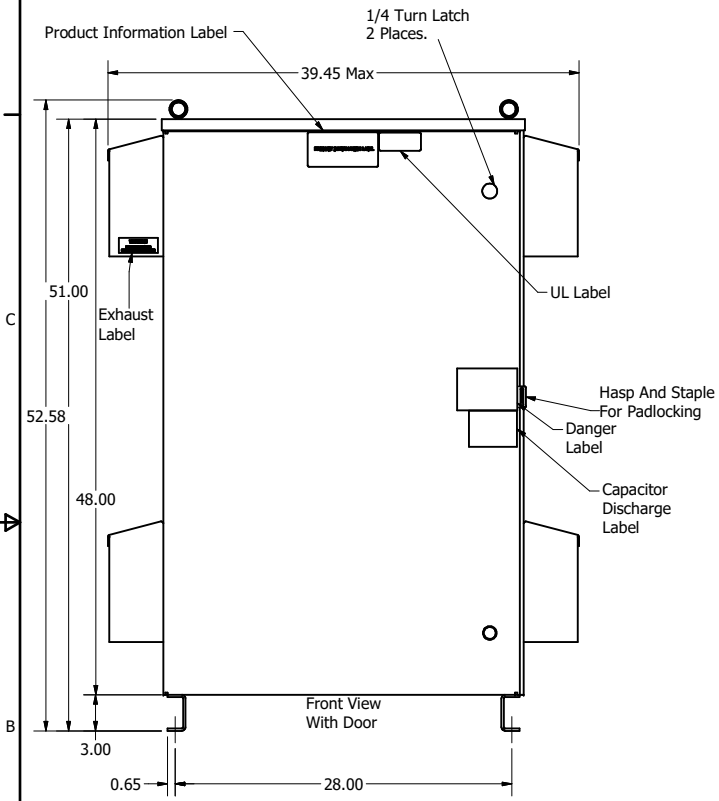
HGP Part Number	HorsePower (HP)	kVar	Harmonic	Voltage (V)	Maximum Amps (A)	Hz.	Phase
HGP0050BW3----	50	11.3	5th	240	130	60	3

Note: For Torque Information See IOM Manual

Customer Connections. L1, L2, L3, T1, T2, T3  
Wire Range: 250MCM to 6AWG.

Ground Lug  
Wire Range: 250MCM to 6AWG.

HGP Part Number	Schematic Drawing #	Approx Weight (LBS)
HGP0050BW3S0000	30209-1S	400
HGP0050BW3C0000	30209-1	405
HGP0050BW3C000H	30209-1H	410
HGP0050BW3C1000	30209-PQ	408
HGP0050BW3C100H	30209-PQH	412



HGP0050BW3----					
Components	S0000	C0000	C000H	C1000	C100H
Line Reactor (LR)	x	x	x	x	x
Trap Reactor (TR)	x	x	x	x	x
Capacitor (Cap)	x	x	x	x	x
Trap Fusing, FU1, FU2, FU3	x	x	x	x	x
Contactor (CNT)		x	x	x	x
Transformer (XFMR)	x	x	x	x	x
XFMR Fusing, FU4, FU5	x	x	x	x	x
FU6					x
Heater			x		x
PQConnect Board				x	x

Customer Is Responsible For Installation to Meet All National And Local Electrical Codes.

NOTE: USE ONLY HUBS OR FITTINGS THAT COMPLY WITH UL514B FOR TYPE 3R ENCLOSURES

Material(s) Shall be RoHS Compliant

THE INFORMATION AND DESIGNS CONTAINED IN THIS DRAWING ARE CONFIDENTIAL AND THE PROPRIETARY PROPERTY OF ALLIED MOTION TECHNOLOGIES INC. AND ITS SUBSIDIARIES. NEITHER THIS DESIGN NOR ANY INFORMATION CONTAINED IN THIS DRAWING MAY BE REPRODUCED OR DISCLOSED TO OTHERS WITHOUT THE EXPRESS WRITTEN CONSENT OF ALLIED MOTION TECHNOLOGIES INC. AND ITS SUBSIDIARIES.	TOLERANCES (EXCEPT AS NOTED)				
	DECIMAL	.XX ± .25	.XXX ± .10		
	FRACTIONAL	± 1/16			
	ANGULAR	± 1°			
DESIGNED BY	DATE	BY	SCALE	DATE	REVISED
As Designed	7/5/2023	DSW	1/8	7/5/2023	
NO	REVISION	DATE	BY	SCALE	DATE

**TCL** W132N10611 (Rev 13) 6/23  
Germanstown, WI 53022  
© 2023 TCI, LLC

An Official Motion Systems Company

Harmonic Guard Passive  
HGP, 50HP, 240/3/60, Type 3R

109463DG

SCALE: 1/8

SHT 1 OF 1