

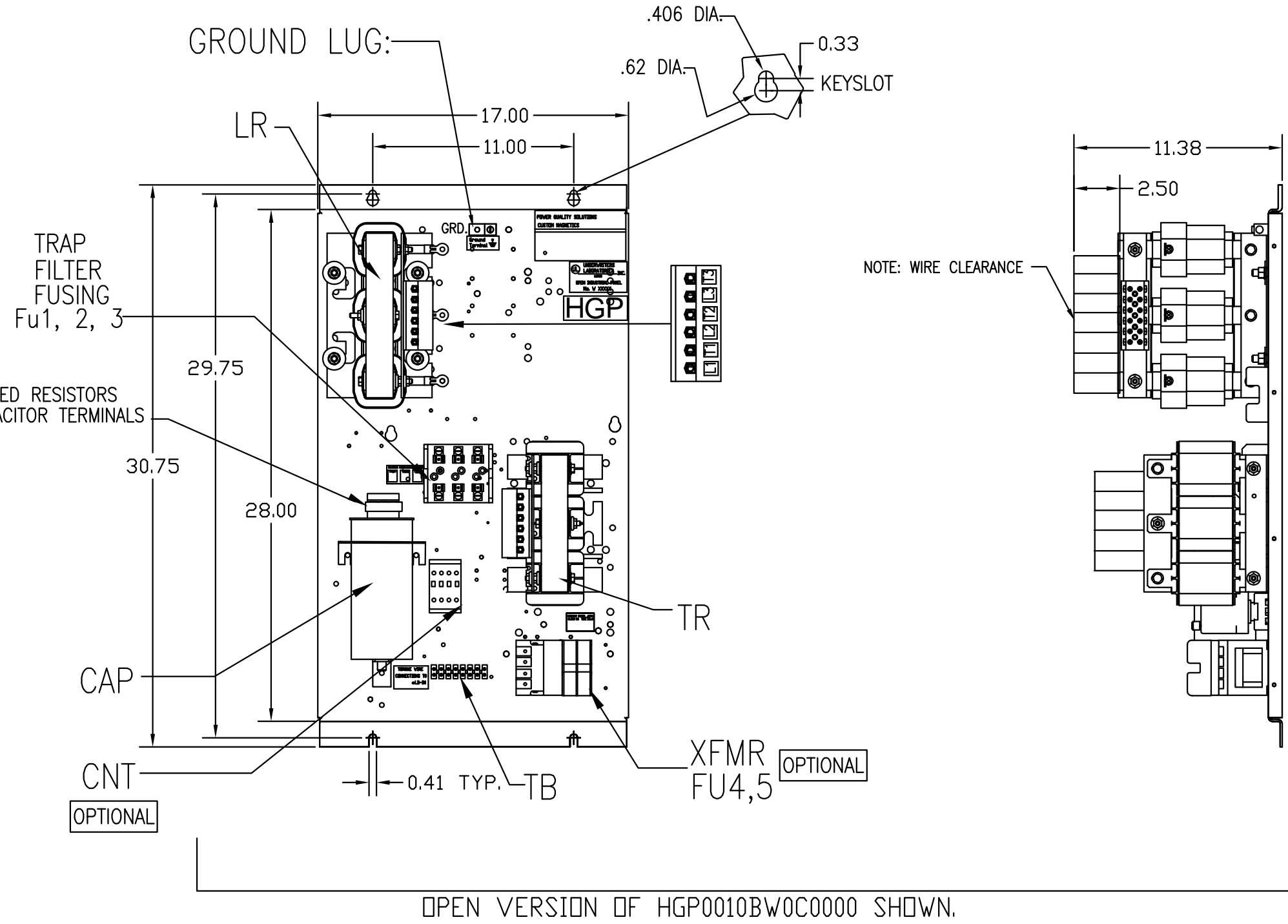
GROUND LUG:
WIRE RANGE-1/0 TO #14 AWG.

1/0 AWG thru 2 AWG 50 IN-LBS. MAX.
4 AWG thru 6 AWG 45 IN-LBS. MAX.
8 AWG 40 IN-LBS. MAX.
10 AWG thru 14 AWG 35 IN-LBS. MAX.

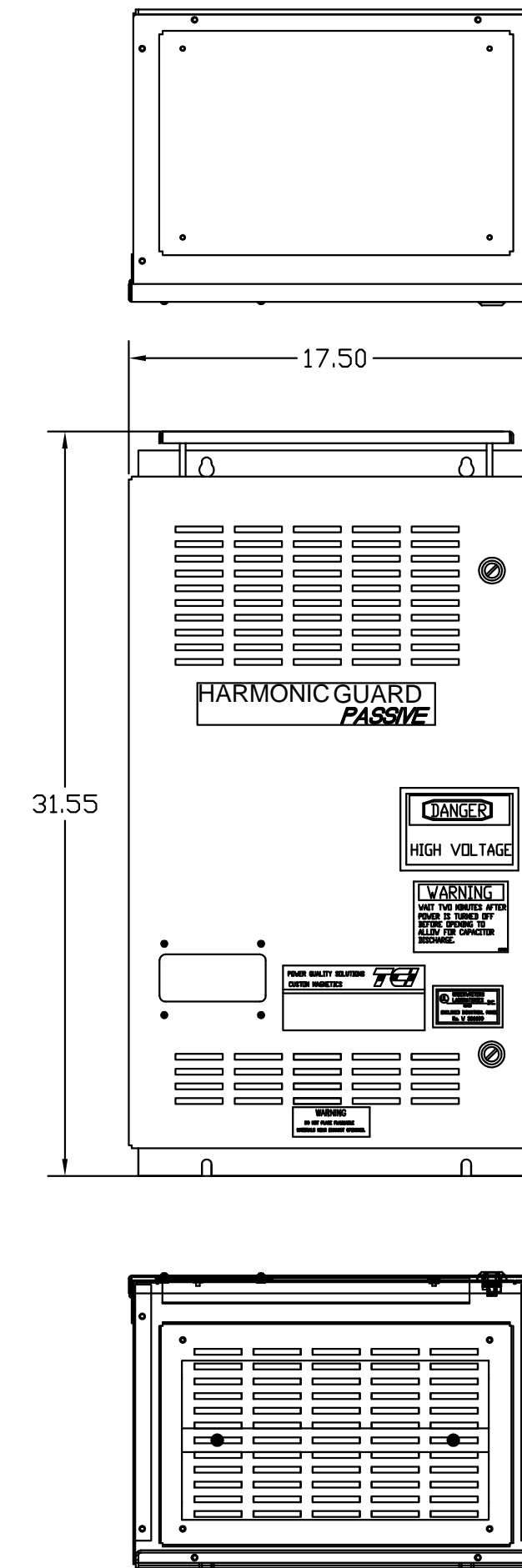
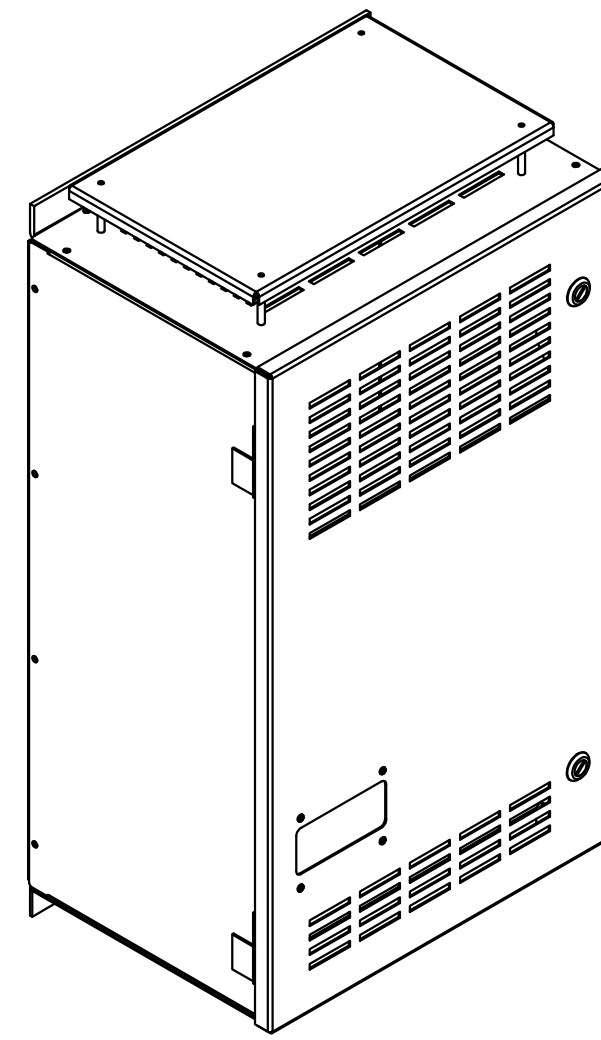
L1 T1 L2 T2 L3 T3
PB-POWER INPUT BLOCK:

1 AWG thru 4 AWG 35 IN-LBS. MAX.
6 AWG thru 14 AWG 30 IN-LBS. MAX.
16 AWG thru 20 AWG 25 IN-LBS. MAX.
22 AWG 20 IN-LBS. MAX.

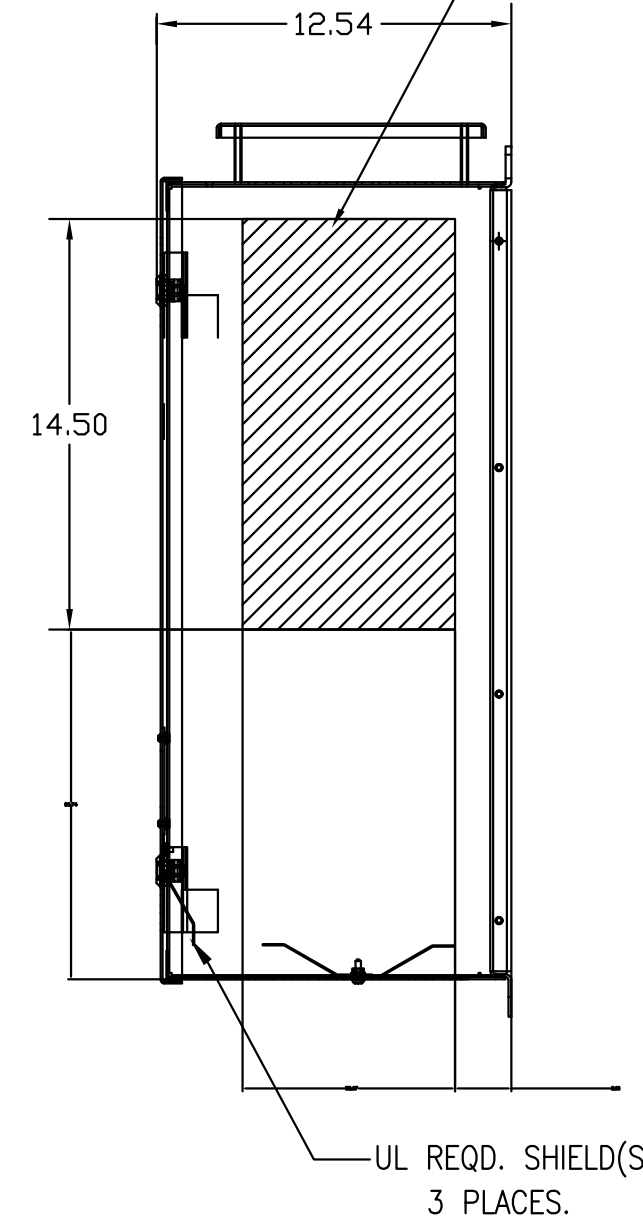
UNIT SPECIFICATIONS:					
KVAR	HARMONIC	VOLT	HZ	PHASE	HP
10	5TH	240	60	3	10



OPEN VERSION OF HGP0010BW0C0000 SHOWN.



HATCHED AREAS ARE SUGGESTED
CUSTOMER WIRE ENTRANCE AND EXIT LOCATIONS



ENCLOSED VERSION TYPE 1

CUSTOMER IS RESPONSIBLE FOR INSTALLATION
TO MEET ALL NATIONAL AND LOCAL ELECTRICAL CODES.

HGP0010BW-----	OS0000 1S0000	OC0000 1C0000
STANDARD COMPONENTS		
LINE REACTOR LR	X	X
TRAP REACTOR TR	X	X
CAPACITOR CAP	X	X
TRAP FUSING FU1,2,3	X	X
CONTACTOR CNT		X
TRANSFORMER XFMR		X
XFMR FUSING FU4,5		X

ON OPEN PANELS
CUSTOMER IS RESPONSIBLE FOR PROPER
COOLING OF FILTER COMPONENTS.
CAPACITORS MAXIMUM AMBIENT 50°C

HGP PART NUMBER	SCHEMATIC DRAWING #	APPROX.WT. LBS.
HGP0010BW0S0000	30209-S	81
HGP0010BW0C0000	30209	85
HGP0010BW1S0000	30209-S	145
HGP0010BW1C0000	30209	150

TOLERANCES (EXCEPT AS NOTED)		TOLERANCES (EXCEPT AS NOTED)		TOLERANCES (EXCEPT AS NOTED)	
DECIMAL	FRACTIONAL	DECIMAL	FRACTIONAL	DECIMAL	FRACTIONAL
.XX ±.25	± 1/16	.XX ±.25	± 1/16	.XX ±.25	± 1/16
.XXX ±.10	ANGULAR ± 1°	.XXX ±.10	ANGULAR ± 1°	.XXX ±.10	ANGULAR ± 1°
A AS BUILT	6/9/16	DSW	DATE	6/9/16	DSW
NO REVISION	DATE	BY	APRVD.	DATE	BY

TGI W132 N10611 GRANT DRIVE
GERMANTOWN, WI 53022

HARMONICGUARD PASSIVE
HGP0010BW-----
10HP, 240/3/60, OPEN AND TYPE 1
DVG. NO. 106541DG
SHT. 1 OF 1