

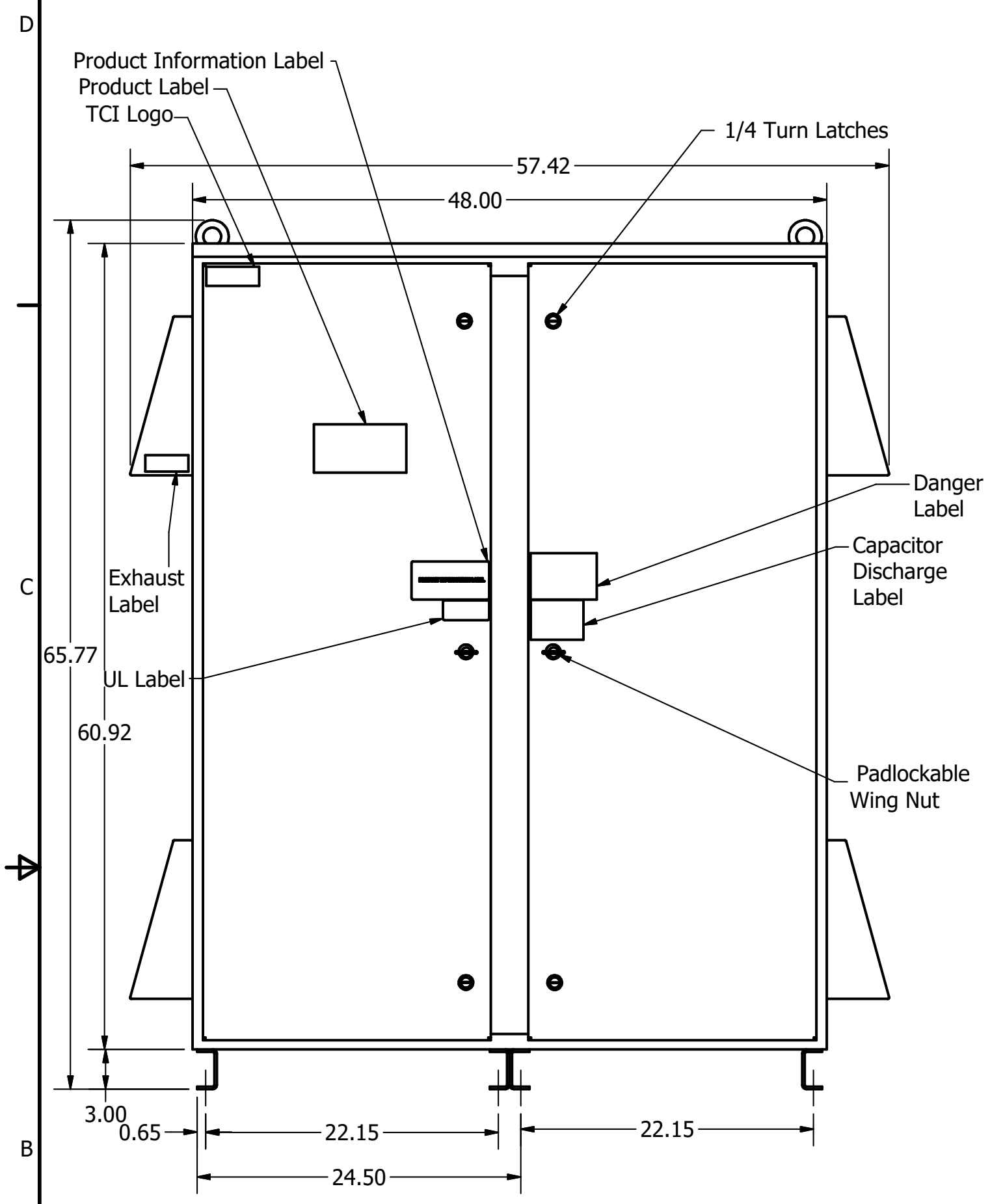
| Unit Specifications | | | | | |
|---------------------|----------|------|-----|-------|-----|
| kVar | Harmonic | Volt | HZ. | Phase | HP |
| 120 | 5TH | 600 | 60 | 3 | 800 |

Note: For Torque Information
See IOM Manual

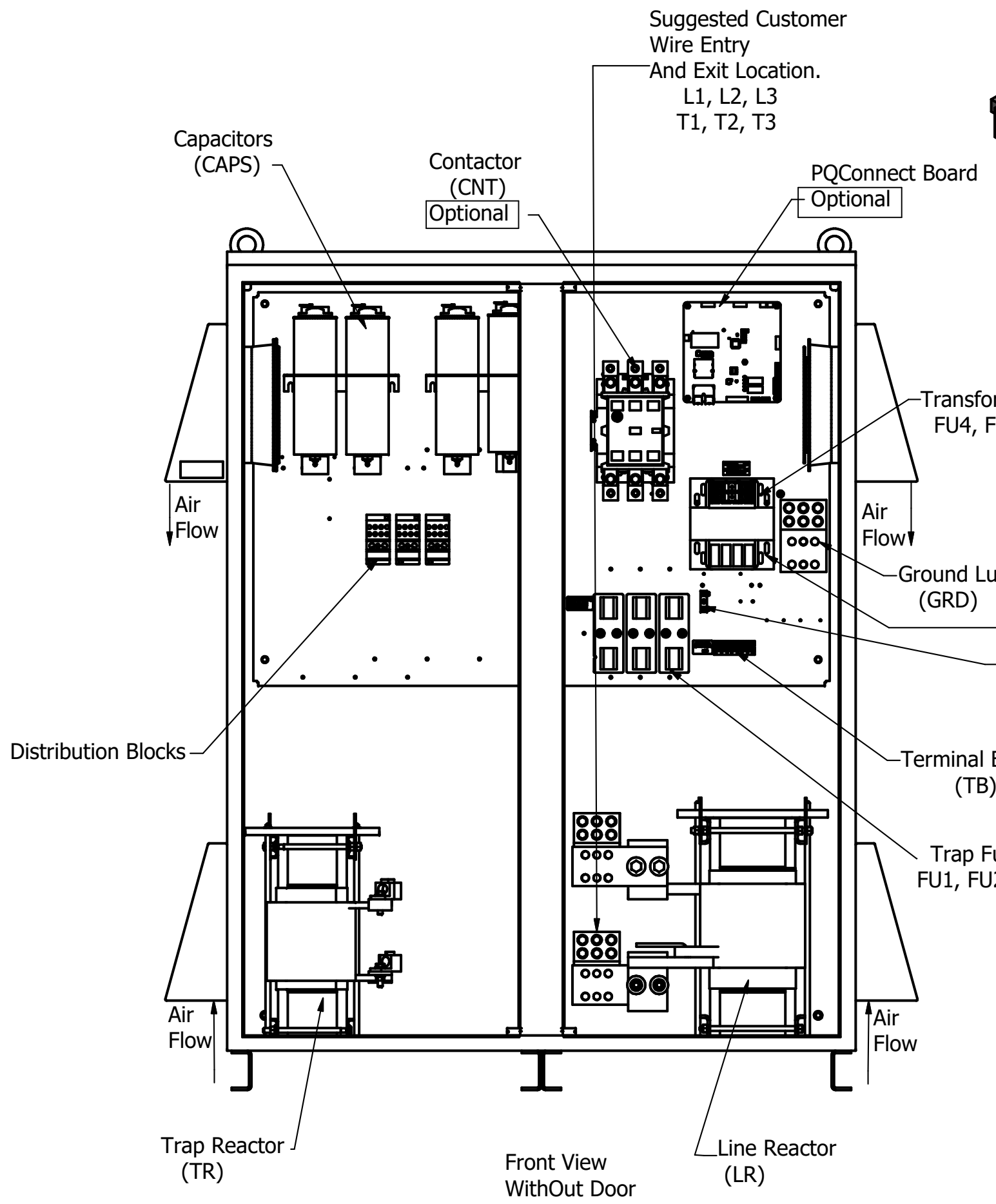
Customer Connections.
L1, L2, L3, T1, T2, T3
Wire Range: (3) 600MCM to 2AWG.

Ground Lug
Wire Range: (3) 600MCM to 2AWG.

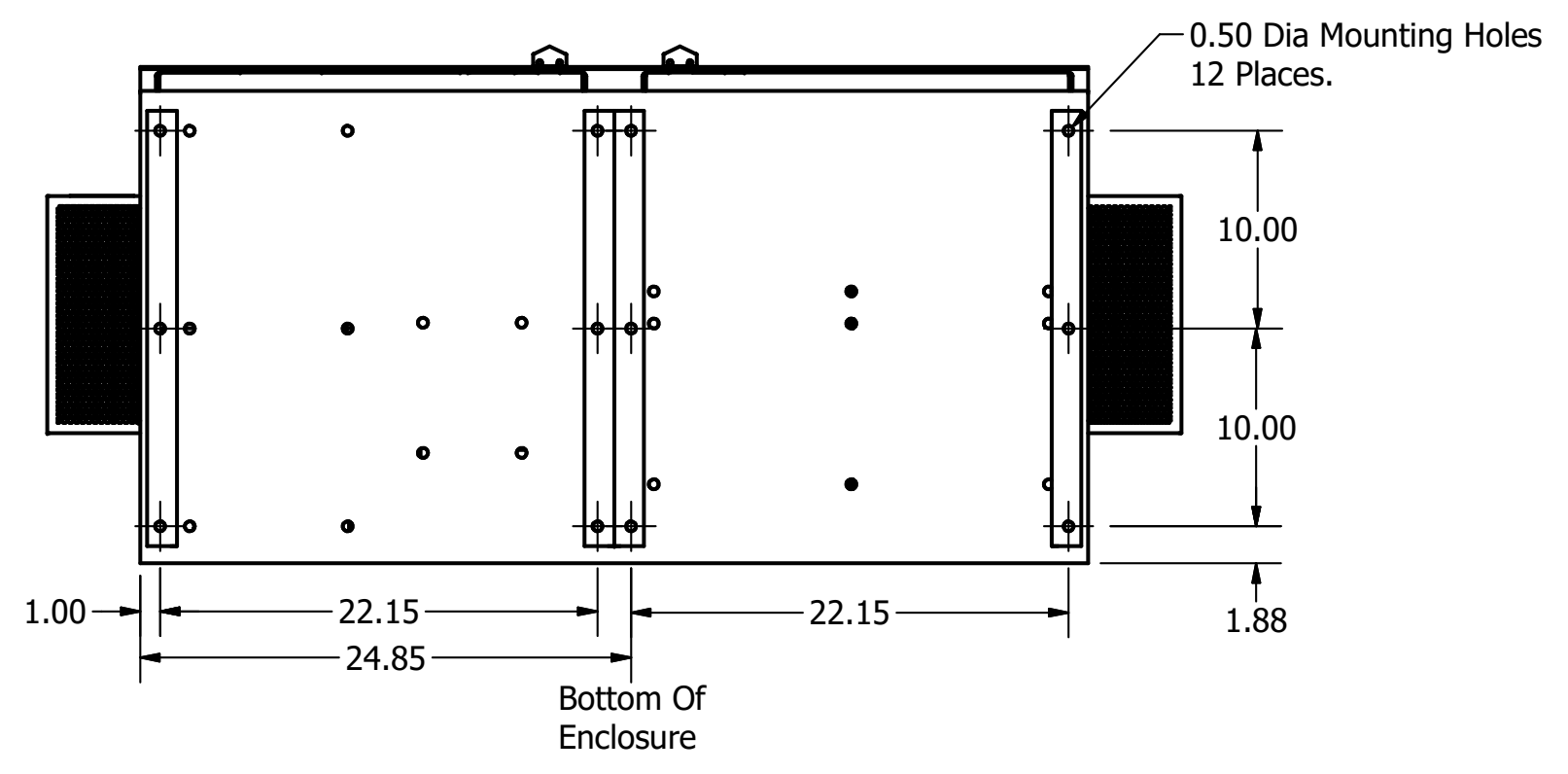
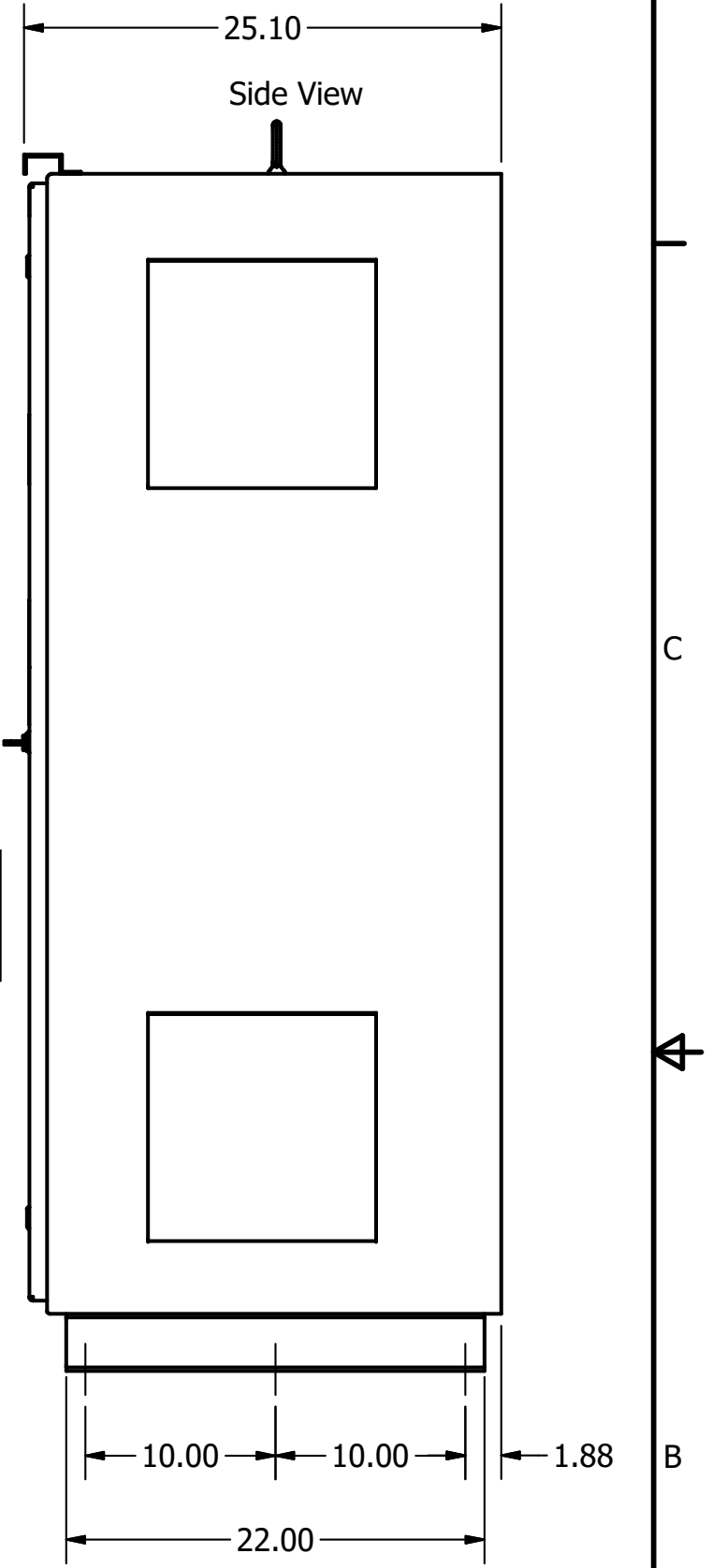
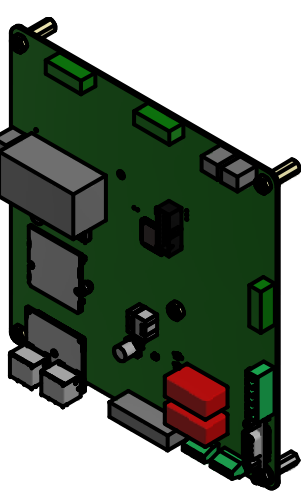
| HGL Part Number | Schematic Drawing # | Approx Weight (LBS) |
|-----------------|---------------------|---------------------|
| HGL0800CW3S0000 | 30807-S | 1380 |
| HGL0800CW3C0000 | 30807-C | 1400 |
| HGL0800CW3S1000 | 30807-PQ1 | 1383 |
| HGL0800CW3C1000 | 30807-PQ | 1403 |



Front View With Door



Front View Without Door



Bottom Of Enclosure

| HGL0800CW3----- | | | | |
|----------------------------|-------|-------|-------|-------|
| Components | S0000 | C0000 | S1000 | C1000 |
| Trap Reactor (TR) | x | x | X | X |
| Capacitor (Cap) | x | x | X | X |
| Trap Fusing, FU1, FU2, FU3 | x | x | X | X |
| Contactor (CNT) | | x | | X |
| Transformer (XFMR) | x | x | X | X |
| XFMR Fusing, FU4, FU5 | x | x | X | X |
| PQConnect Board | | | X | X |

Customer Is Responsible For Installation to Meet All National And Local Electrical Codes.

NOTE: USE ONLY HUBS OR FITTINGS THAT COMPLY WITH UL514B FOR TYPE 3R ENCLOSURES

Material(s) Shall be RoHS Compliant

| | | | |
|--|------------------------------|------------|---|
| TCI, LLC CLAIMS PROPRIETARY RIGHTS IN THE MATERIAL HEREIN DISCLOSED. IT IS SUPPLIED WITHOUT PREJUDICE TO ANY PATENT RIGHTS OF TCI AND MAY NOT BE REPRODUCED OR USED TO MANUFACTURE ANYTHING SHOWN THEREIN WITHOUT WRITTEN PERMISSION FROM TCI. | TOLERANCES (EXCEPT AS NOTED) | | W132 N10611 Grant Drive Germantown, WI 53022 HarmonicGuard Low Capacitance HGL, 800HP, 600/3/60, Type 3R |
| | DECIMAL | | |
| | .XX ± .25 .XXX ± .10 | | |
| | FRACTIONAL ± 1/16 | | |
| DRN BY: DSW | DATE: 10/9/17 | 107320DG | SHT 1 OF 1 |
| NO REVISION | DATE BY | SCALE: 1/8 | |