

Unit Specifications					
kVar	Harmonic	Volt	HZ.	Phase	HP
120	5TH	480	60	3	800

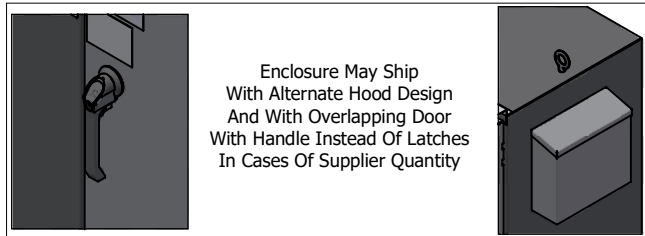
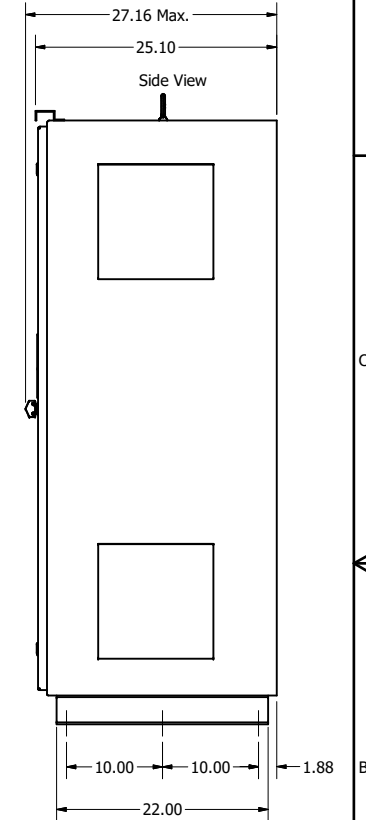
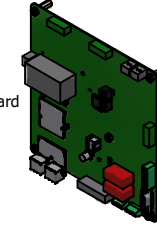
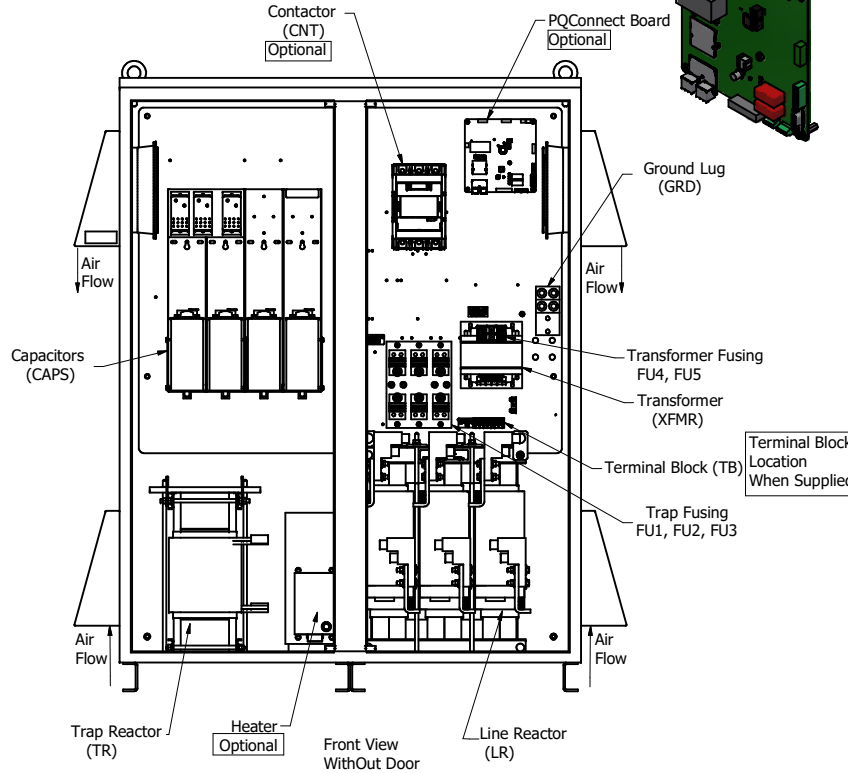
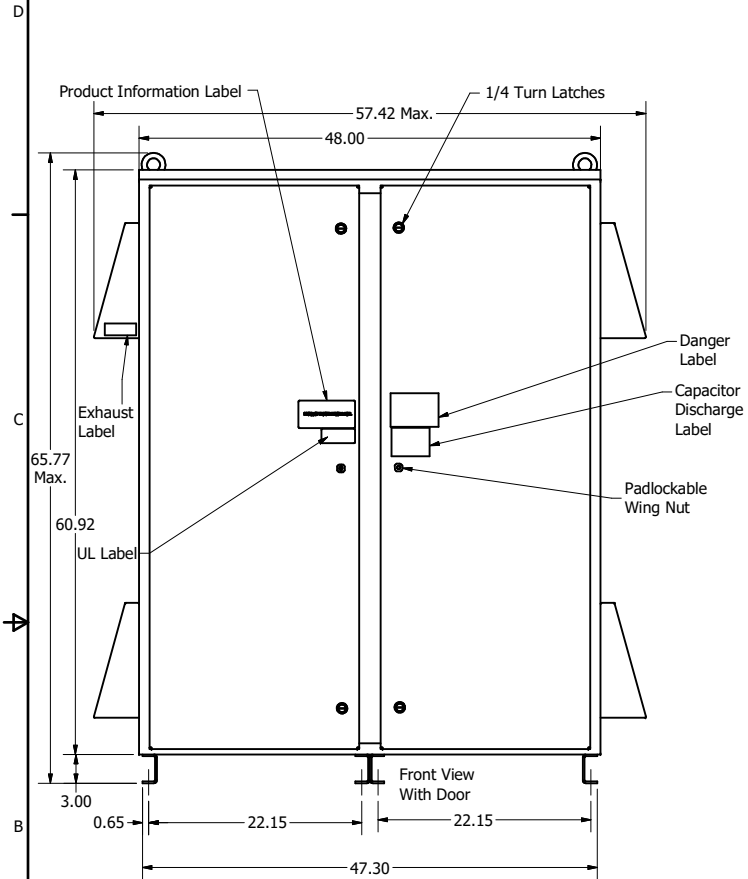
Note: For Torque Information  
See IOM Manual

Customer Connections:  
L1, L2, L3, T1, T2, T3, and  
Ground Lug.  
Wire Range- Four, 600MCM-2AWG

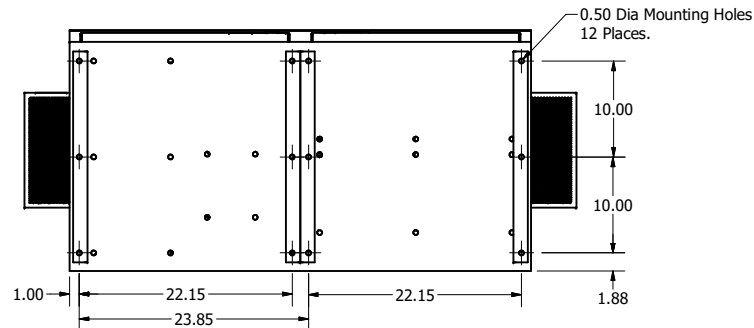
HGL Part Number	Schematic Drawing #	Approx Weight (LBS)
HGL0800AW3S0000	30586-1S	1705
HGL0800AW3C0000	30586-1C	1721
HGL0800AW3C000H	30586-H	1741
HGL0800AW3S*000	30586-PQ1	1708
HGL0800AW3C*000	30586-PQ	1723
HGL0800AW3C*00H	30586-PTH	1743

\* = Communications Option

Suggested Customer Wire Entry  
And Exit Location.  
L1, L2, L3  
T1, T2, T3



Enclosure May Ship  
With Alternate Hood Design  
And With Overlapping Door  
With Handle Instead Of Latches  
In Cases Of Supplier Quantity



Bottom Of  
Enclosure

Customer Is Responsible For Installation to  
Meet All National And Local Electrical Codes.

NOTE: USE ONLY HUBS OR FITTINGS THAT COMPLY  
WITH UL514B FOR TYPE 3R ENCLOSURES

Material(s) Shall be RoHS Compliant

Components	HGL0800AW3-----					
	S0000	C0000	C000H	S*000	C*000	C100H
Line Reactor (LR)	x	x	x	X	X	X
Trap Reactor (TR)	x	x	x	X	X	X
Capacitor (Cap)	x	x	x	X	X	X
Trap Fusing, FU1, FU2, FU3	x	x	x	X	X	X
Contactor (CNT)		x	x		X	X
Transformer (XFMR)	x	x	x	X	X	X
XFMR Fusing, FU4, FU5	x	x	x	X	X	X
PQConnect Board				X	X	X
Heater			x			X

THE INFORMATION AND DESIGNS CONTAINED  
IN THIS DRAWING ARE CONFIDENTIAL AND THE  
PROPRIETARY PROPERTY OF ALLIED MOTION  
TECHNOLOGIES INC. AND ITS SUBSIDIARIES.  
NEITHER THIS DESIGN NOR ANY INFORMATION  
CONTAINED IN THIS DRAWING MAY BE  
REPRODUCED OR DISCLOSED TO OTHERS  
WITHOUT THE EXPRESS WRITTEN CONSENT OF  
ALLIED MOTION TECHNOLOGIES INC. AND ITS  
SUBSIDIARIES.

NO	REVISION	DATE	BY
G	6266, KDRY3TT to KDRX3STT	5/10/2023	DSW
F	6179-1 Add Alternate Hood/Handle	02/21/23	JRN
E	6149 Heater Option, Update Wire Range	01/23/23	JRN
D	6024, Add PQ Option	08/30/2022	GJS
C	5554 Updated Trap, Weight	04/05/21	JRN
B	Add PQconnect	2/19/19	DSW

TOLERANCES (EXCEPT AS NOTED)
DECIMAL
.XX ± .25
.XXX ± .10
FRACTIONAL
± 1/32
ANGULAR
± 1°

**TCL** W182N10611 (Rev 11/16)  
Germantown, WI 53022  
© 2022 TCL, LLC  
An Official Motion Technologies Company  
Harmonic Guard Low Capacitance  
HGL, 800HP, 480/3/60, Type 3R  
DESIGN BY: DSW DATE: 10/13/17  
SCALE: 1/10 DRAWN BY: JRN  
107280DG  
SHT 1 OF 1