

Unit Specifications						
HP	kVar	Harmonic	Volt	HZ.	Phase	Maximum Amps (A)
600	90	5TH	480	60	3	720

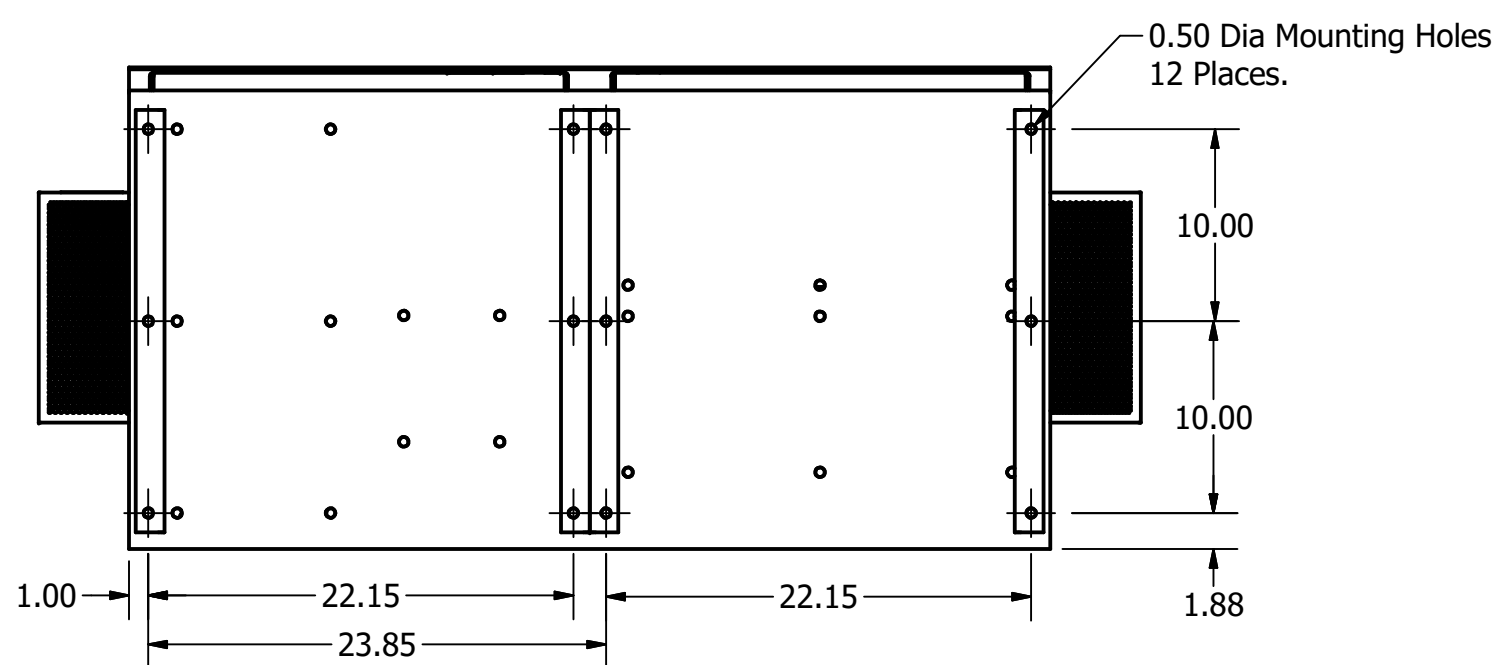
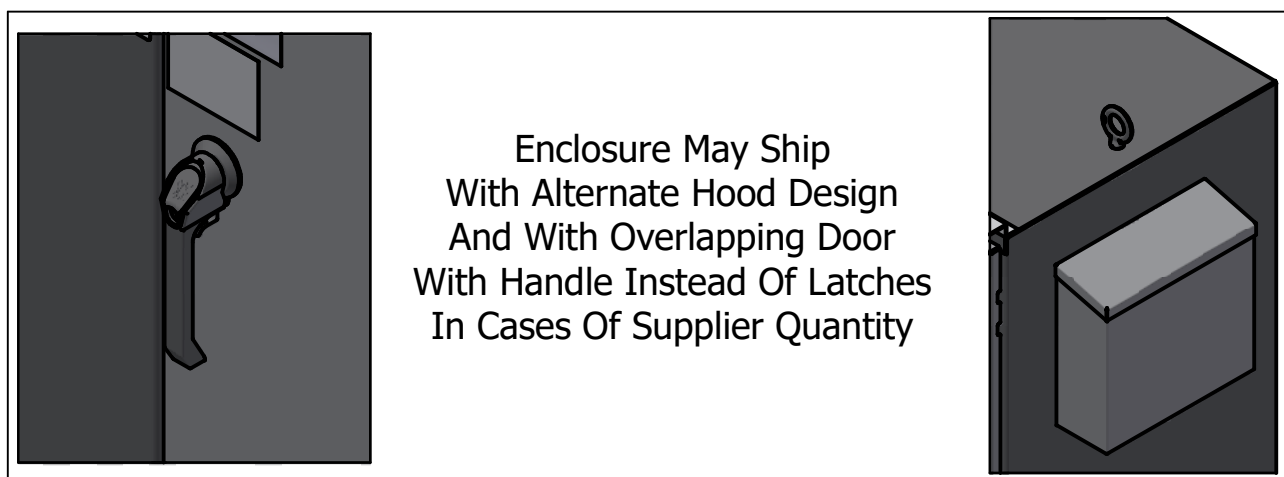
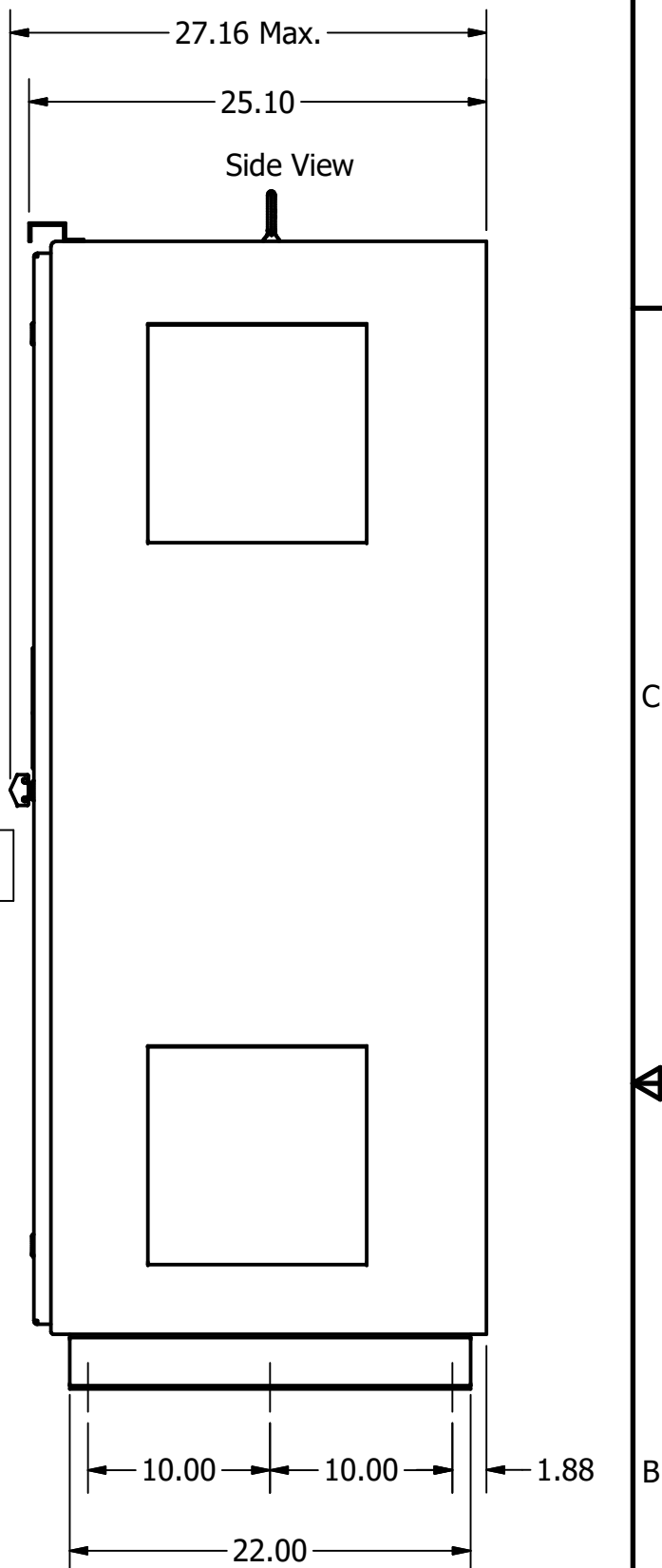
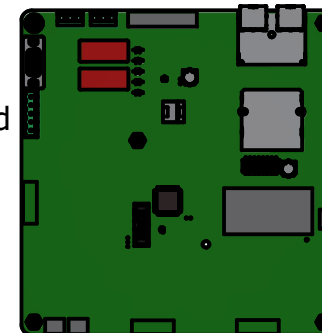
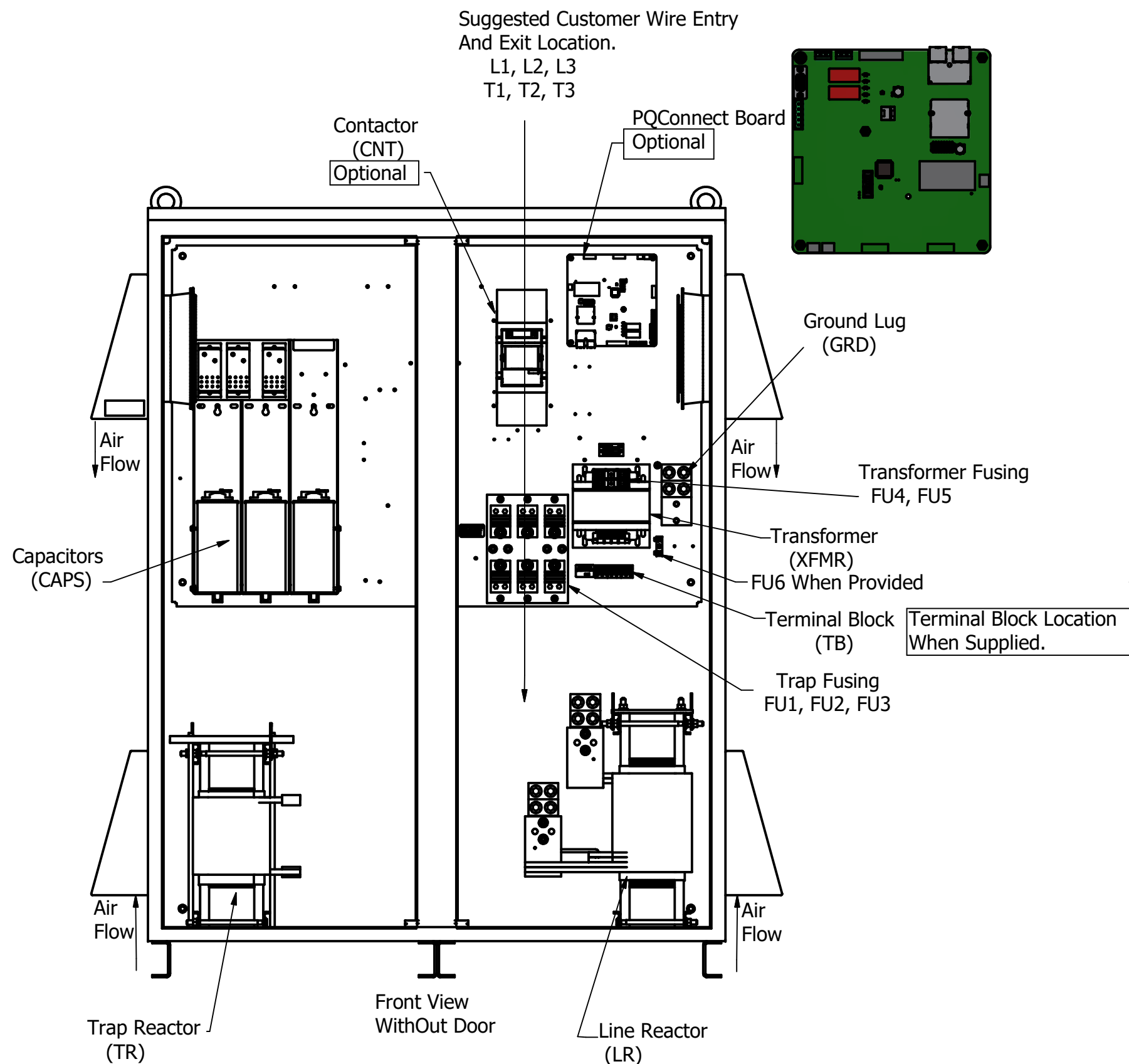
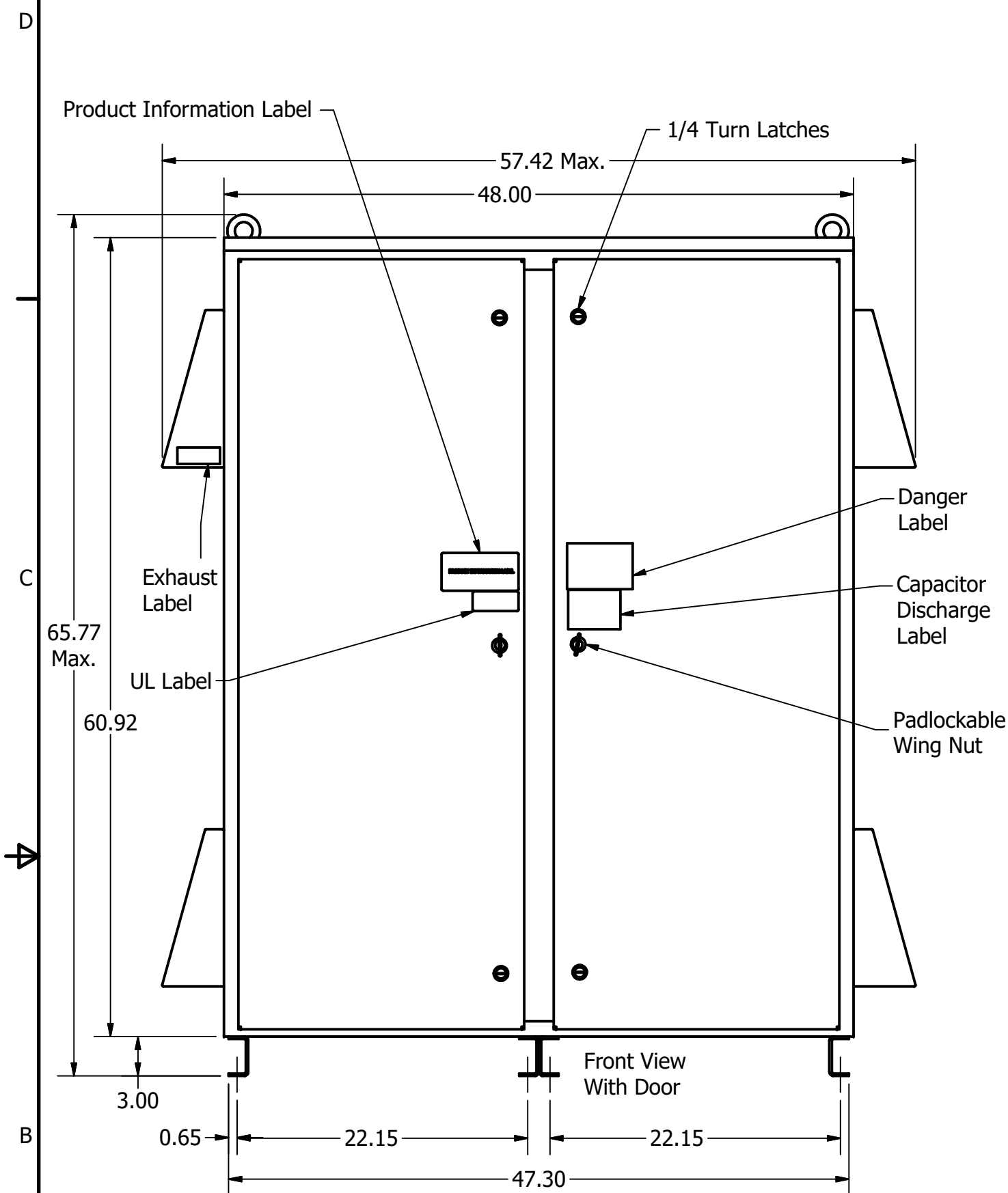
Note: For Torque Information See IOM Manual

Customer Connections: L1, L2, L3, T1, T2, T3, and Ground Lug.

Wire Range- Four, 600MCM-2AWG

HGL Part Number	Schematic Drawing #	Approx Weight (LBS)
HGL0600AW3S0000	30586-1S	1275
HGL0600AW3C0000	30586-1C	1295
HGL0600AW3C*000	30586-PQ	1298

* = Communications Option



Customer Is Responsible For Installation to Meet All National And Local Electrical Codes.

NOTE: USE ONLY HUBS OR FITTINGS THAT COMPLY WITH UL514B FOR TYPE 3R ENCLOSURES

Material(s) Shall be RoHS Compliant

HGL0600AW3-----			
Components	S0000	C0000	C*000
Line Reactor (LR)	x	x	X
Trap Reactor (TR)	x	x	X
Capacitor (Cap)	x	x	X
Trap Fusing, FU1, FU2, FU3	x	x	X
Contactor (CNT)		x	X
Transformer (XFMR)	x	x	X
XFMR Fusing, FU4, FU5	x	x	X
PQConnect Board			X

Bottom Of Enclosure

THE INFORMATION AND DESIGNS CONTAINED IN THIS DRAWING ARE CONFIDENTIAL AND THE PROPRIETARY PROPERTY OF ALLIED MOTION TECHNOLOGIES INC. AND ITS SUBSIDIARIES. NEITHER THIS DESIGN NOR ANY INFORMATION CONTAINED IN THIS DRAWING MAY BE REPRODUCED OR DISCLOSED TO OTHERS WITHOUT THE EXPRESS WRITTEN CONSENT OF ALLIED MOTION TECHNOLOGIES INC. AND ITS SUBSIDIARIES.

NO	REVISION	DATE	BY	ANGULAR
G	6429 Update Table Order	10/06/23	JRN	TOLERANCES (EXCEPT AS NOTED)
F	6403, KDRY1TTX6 to KDRX1STTX6	9/7/2023	DSW	DECIMAL
E	6314 Enclosure Alternate	06/20/23	JRN	.XX ± .25 .XXX ± .10
D	6024, Add PQ Option	08/30/2022	GJS	FRACTIONAL ± 1/16
C	5653, GE to ABB CHG	1/10/2022	DSW	ANGULAR ± 1°
B	Add PQConnect	2/19/19	DSW	

TCL An Allied Motion Company

W132N10611 Grant Drive
Germantown, WI 53022
© 2023 TCL, LLC

HarmonicGuard Low Capacitance
HGL, 600HP, 480/3/60, Type 3R

DRN BY: DSW DATE: 10/12/17 SIZE: C
SCALE: 1/8 APRVD: 107278DG

SHT.1 OF 1