

HGL Open Part Number	Schematic Drawing #	Approx Weight (LBS)
HGL0300AW0S0000	30586-1S	477
HGL0300AW0C0000	30586-1C	490
HGL0300AW0S*000	30586-PQ1	479
HGL0300AW0C*000	30586-PQ	492

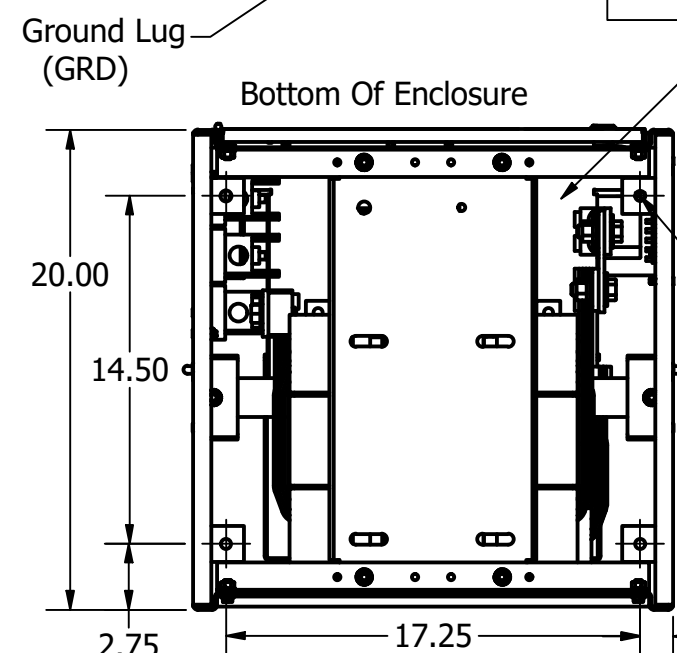
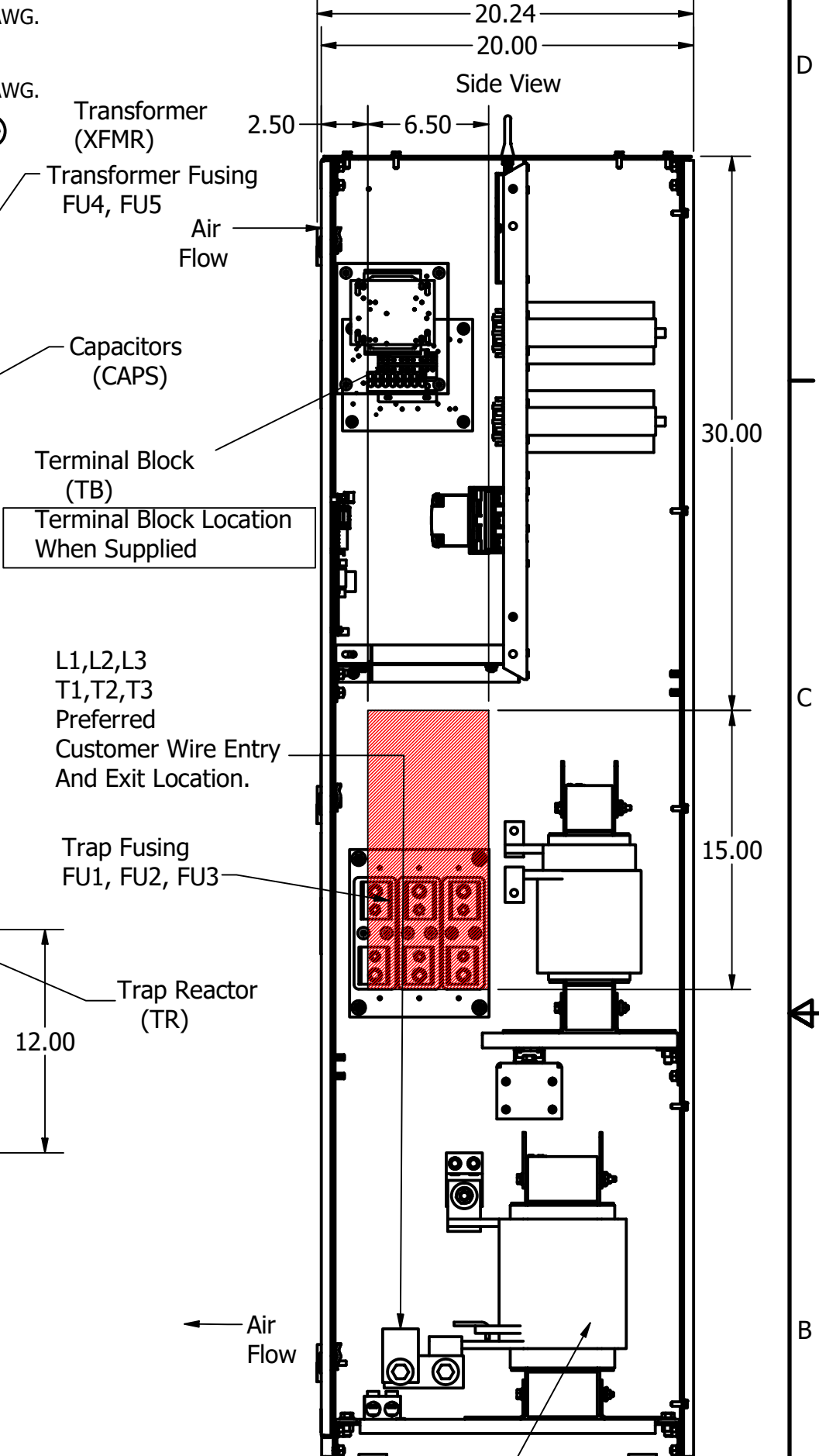
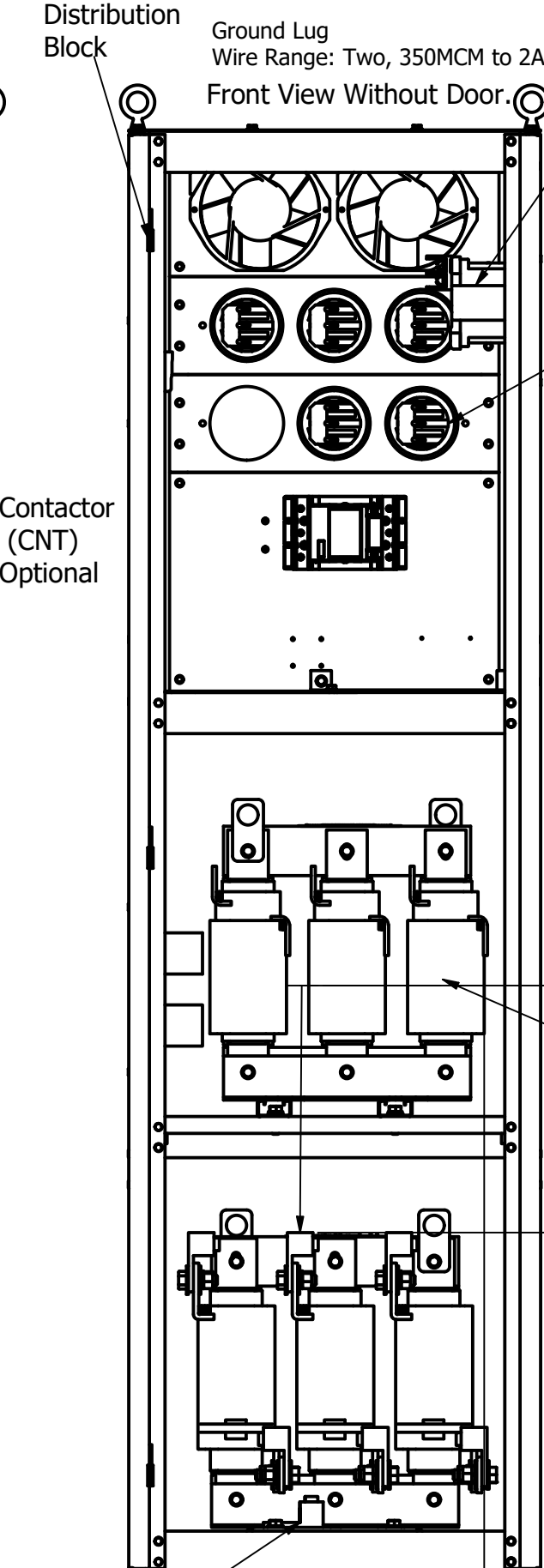
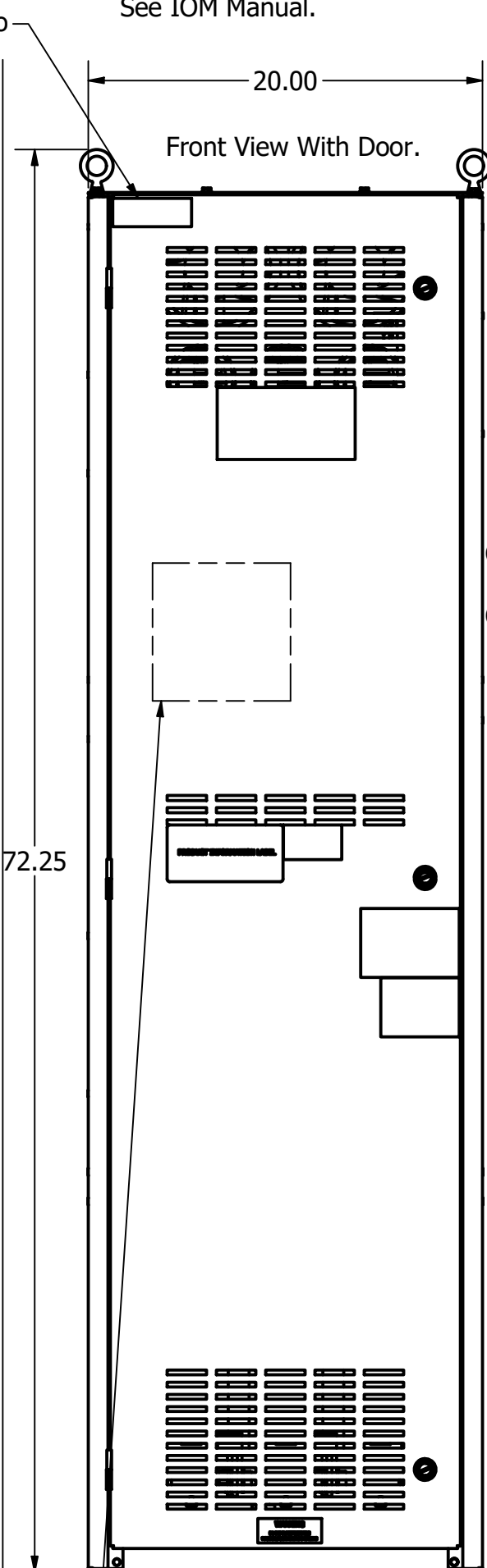
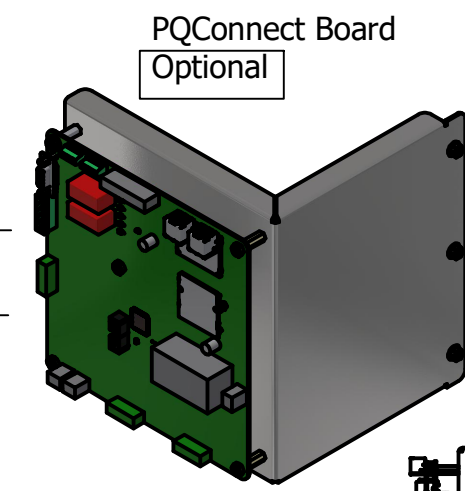
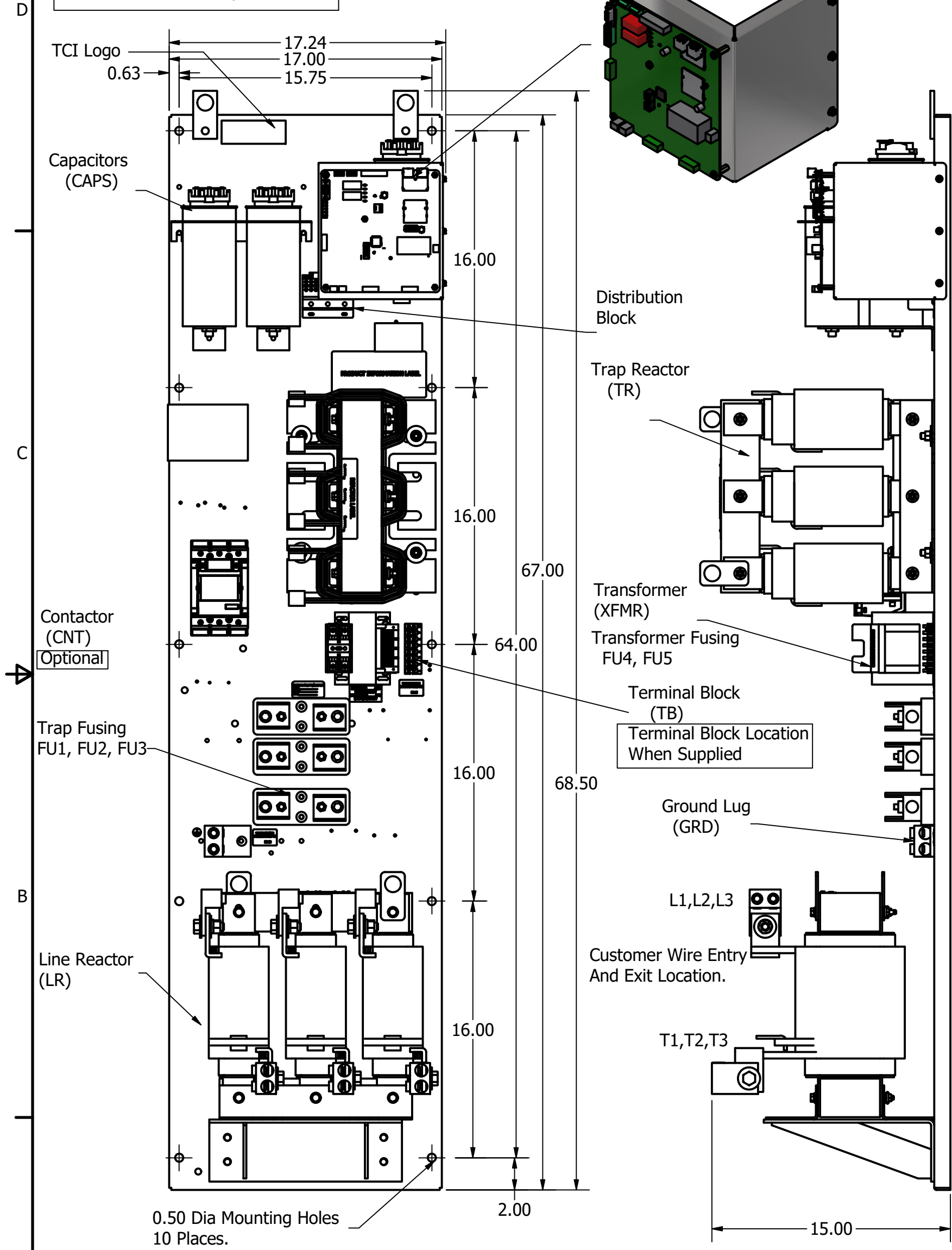
HorsePower (HP)	kVar	Harmonic	Voltage (V)	Maximum Amps (A)	Hz.	Phase
300	50	5th	480	361	60	3

HGL Enclosed Type 1 Part Number	Schematic Drawing #	Approx Weight (LBS)
HGL0300AW1S0000	30586-1S	630
HGL0300AW1C0000	30586-1C	640
HGL0300AW1S*000	30586-PQ1	633
HGL0300AW1S*000	30586-PQ	643

Note: For Torque Information See IOM Manual.

Customer Connections. L1, L2, L3, T1, T2, T3 Wire Range: Two, 350MCM to 2AWG.

* = Communications Option



300HP = 361 Amps Bend Radius 2 x 350kcmil, Is 12 Inches. 2 x 4/ØAWG, Is 7 Inches.

Customer Is Responsible For Installation to Meet All National And Local Electrical Codes.

Material(s) Shall be RoHS Compliant

Components	HGL0300AW-----			
	0S0000/1S0000	0C0000/1C0000	0S*000/1S*000	0C*000/1C*000
Line Reactor (LR)	X	X	X	X
Trap Reactor (TR)	X	X	X	X
Capacitor (Cap)	X	X	X	X
Trap Fusing, FU1, FU2, FU3	X	X	X	X
Contactor (CNT)		X		X
Transformer (XFMR)	X (Type 1)	X	X	X
XFMR Fusing, FU4, FU5	X (Type 1)	X	X	X
PQConnect Board			X	X

Note: Customer is responsible for proper cooling of filter components on open panels. Capacitors Maximum Ambient 50°C

THE INFORMATION AND DESIGNS CONTAINED IN THIS DRAWING ARE CONFIDENTIAL AND THE PROPRIETARY PROPERTY OF ALLIED MOTION TECHNOLOGIES INC. AND ITS SUBSIDIARIES. NEITHER THIS DESIGN NOR ANY INFORMATION CONTAINED IN THIS DRAWING MAY BE REPRODUCED OR DISCLOSED TO OTHERS WITHOUT THE EXPRESS WRITTEN CONSENT OF ALLIED MOTION TECHNOLOGIES INC. AND ITS SUBSIDIARIES.

NO	REVISION	DATE	BY	TOLERANCES (EXCEPT AS NOTED)
F	6024, Add PQ Option	8/26/2022	GIS	DECIMAL
E	5653, GE to ABB CNT CHG	2/18/2022	DSW	.XX ± .25 .XXX ± .10
D	5471, Drawing Updates, Wire Entry Details	1/25/2021	DSW	FRACTIONAL ± 1/16
C	5356 Schematic# Fixed	08/14/2020	JRN	ANGULAR ± 1°
B	Add PQ Connect	03/05/2019	DSW	

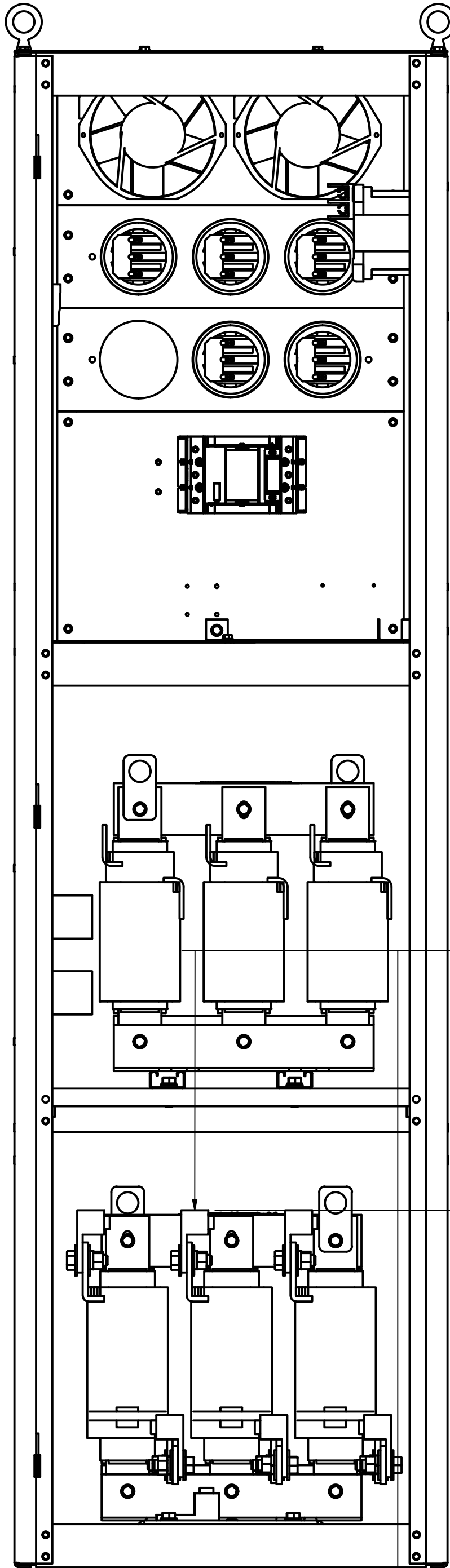
W132N10611 Grant Drive
 Germantown, WI 53022
 © 2022 TCI, LLC
 HarmonicGuard Low Capacitance
 HGL, 300HP, 480/3/60, Open and Type 1
 107023DG
 SCALE: 1/8
 SHT 1 OF 2

D

C

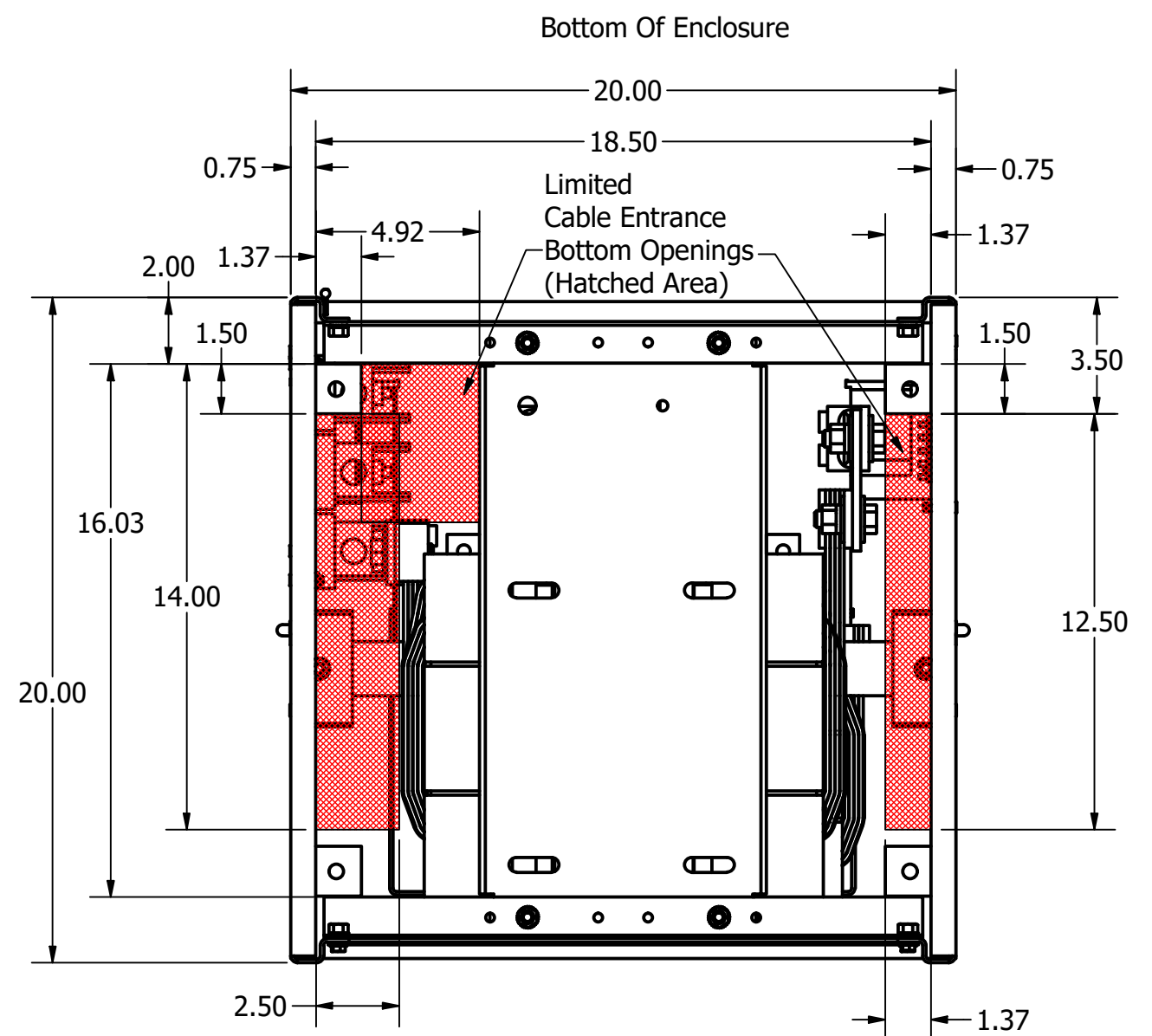
B

A



300HP = 361 Amps
 Bend Radius
 2 x 350kcmil, Is 12 Inches.
 2 x 4/ØAWG, Is 7 Inches.

Limited Cable Entrance Bottom Openings (Hatched Area)



Customer Is Responsible For Installation to Meet All National And Local Electrical Codes.

Material(s) Shall be RoHS Compliant

THE INFORMATION AND DESIGNS CONTAINED IN THIS DRAWING ARE CONFIDENTIAL AND THE PROPRIETARY PROPERTY OF ALLIED MOTION TECHNOLOGIES INC. AND ITS SUBSIDIARIES. NEITHER THIS DESIGN NOR ANY INFORMATION CONTAINED IN THIS DRAWING MAY BE REPRODUCED OR DISCLOSED TO OTHERS WITHOUT THE EXPRESS WRITTEN CONSENT OF ALLIED MOTION TECHNOLOGIES INC. AND ITS SUBSIDIARIES.

NO	REVISION	DATE	BY

TOLERANCES (EXCEPT AS NOTED)
 DECIMAL
 .XX ± .25
 .XXX ± .10
 FRACTIONAL
 ± 1/16
 ANGULAR
 ± 1°

TCL
 An Allied Motion Company
 W132N10611 Grant Drive
 Germantown, WI 53022
 © 2022 TCL, LLC
 HGL, 300HP, 480/3/60, Type 1
 Bottom Entry Detail
 DRN BY: DSW DATE: 1/25/2021
 SCALE: 1/5 APRVD: 107023DG
 SIZE: C SHT 2 OF 2

4

3

2

1