

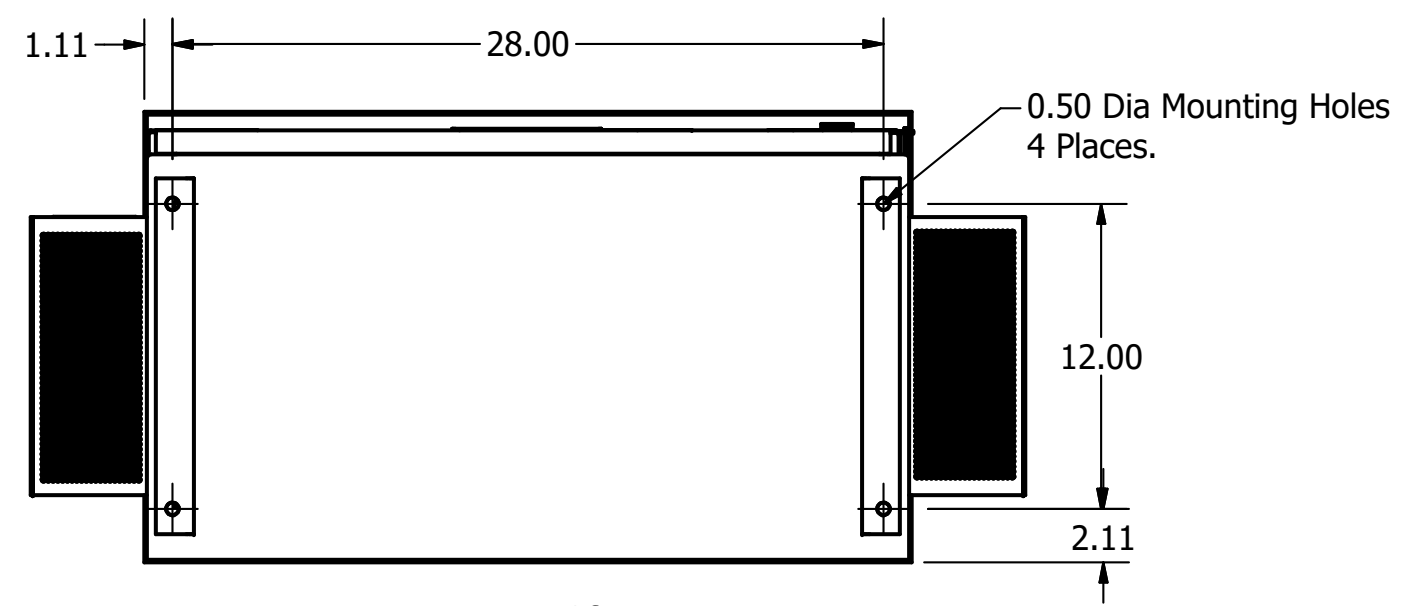
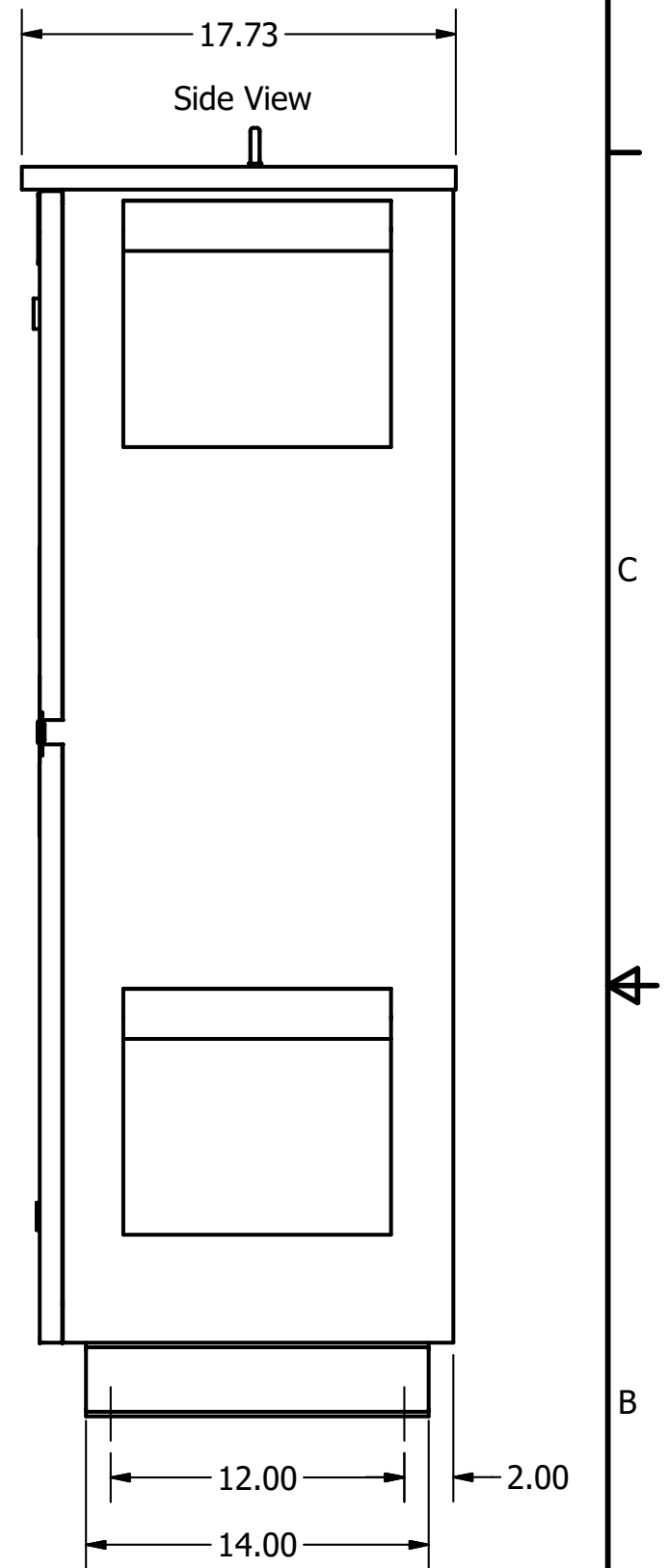
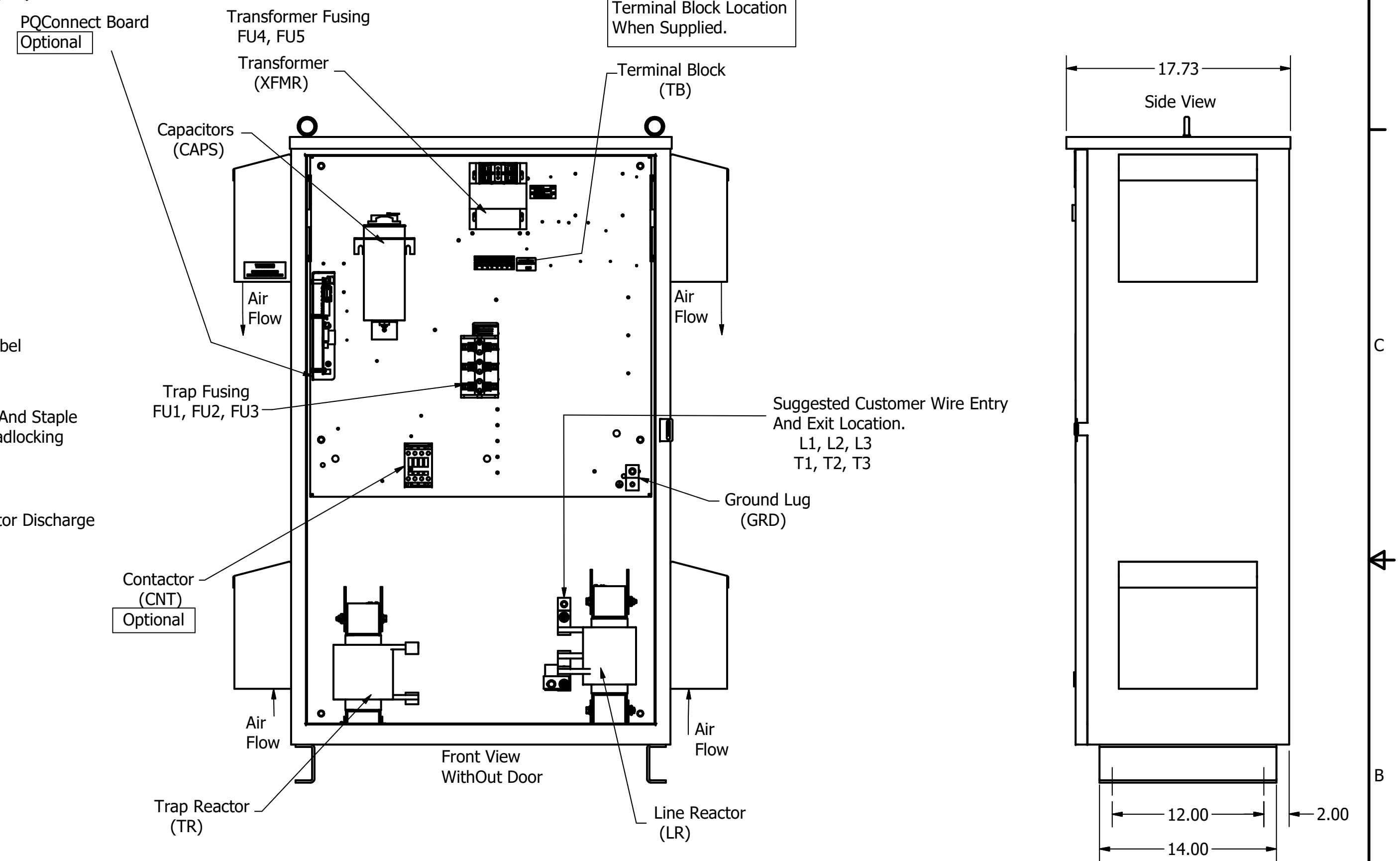
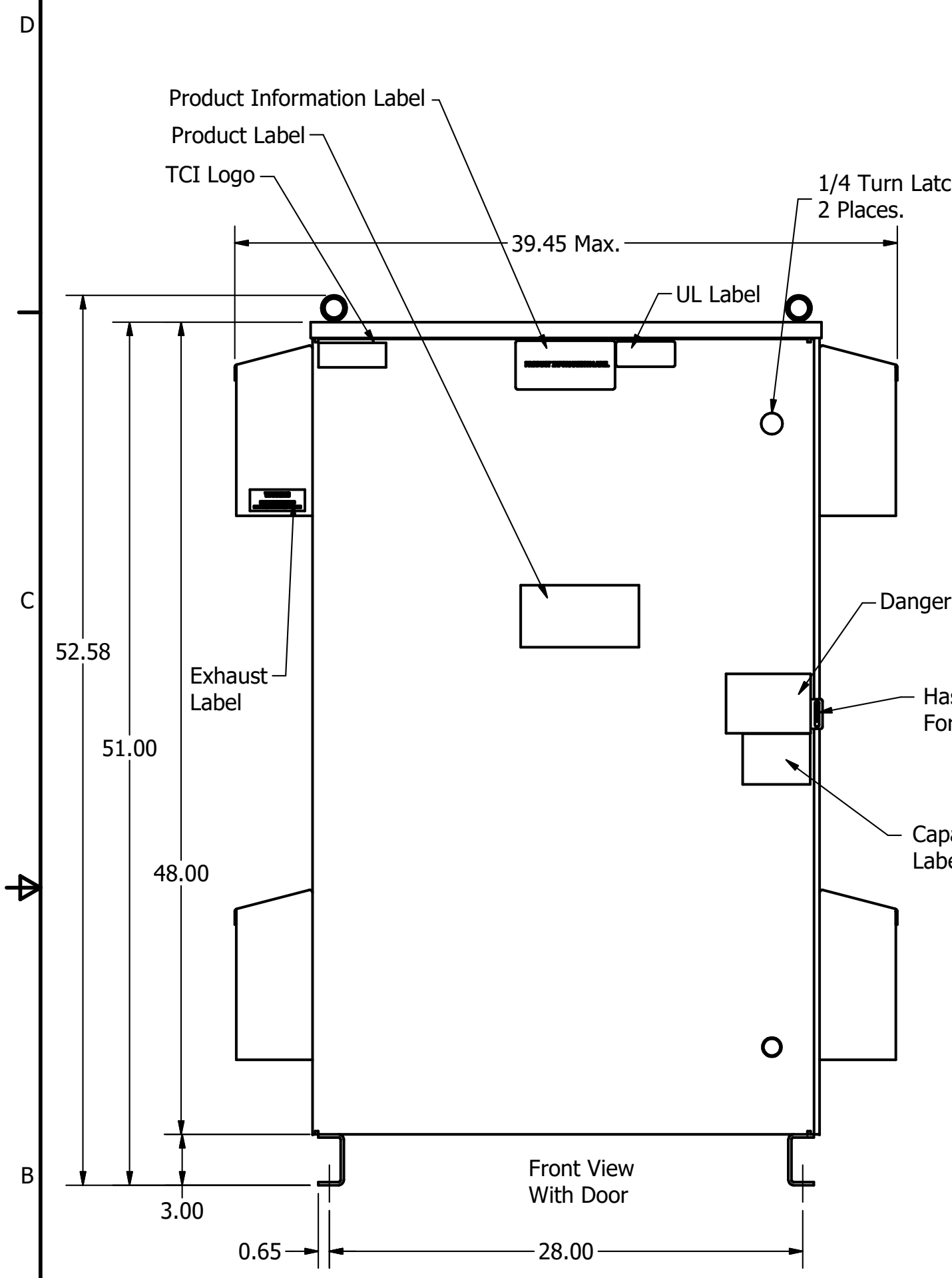
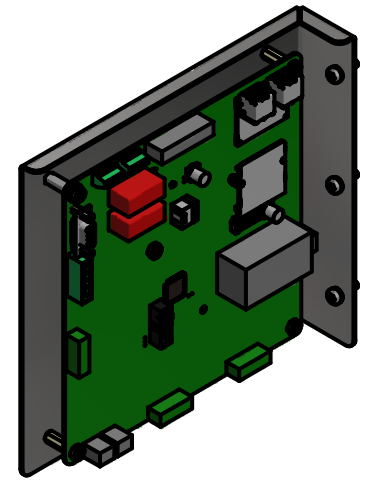
Unit Specifications					
kVar	Harmonic	Volt	HZ.	Phase	HP
20	5TH	600	60	3	125

Note: For Torque Information
See IOM Manual

Customer Connections.
L1, L2, L3, T1, T2, T3
Wire Range: 250MCM to 6AWG.

Ground Lug
Wire Range: 250MCM to 6AWG.

HGL Part Number	Schematic Drawing #	Approx Weight (LBS)
HGL0125CW3S0000	30807-S	360
HGL0125CW3C0000	30807-C	365
HGL0125CW3S1000	30807-PQ1	363
HGL0125CW3C1000	30807-PQ	368



Components	HGL0125CW3-----			
	S0000	C0000	S1000	C1000
Line Reactor (LR)	x	x	X	X
Trap Reactor (TR)	x	x	X	X
Capacitor (Cap)	x	x	X	X
Trap Fusing, FU1, FU2, FU3	x	x	X	X
Contactor (CNT)		x		X
Transformer (XFMR)	x	x	X	X
XFMR Fusing, FU4, FU5	x	x	X	X
PQConnect Board			X	X

Customer Is Responsible For Installation to Meet All National And Local Electrical Codes.

NOTE: USE ONLY HUBS OR FITTINGS THAT COMPLY WITH UL514B FOR TYPE 3R ENCLOSURES

Material(s) Shall be RoHS Compliant

TCI, LLC CLAIMS PROPRIETARY RIGHTS IN THE MATERIAL HEREIN DISCLOSED. IT IS SUPPLIED WITHOUT PREJUDICE TO ANY PATENT RIGHTS OF TCI AND MAY NOT BE REPRODUCED OR USED TO MANUFACTURE ANYTHING SHOWN THEREIN WITHOUT WRITTEN PERMISSION FROM TCI.	TOLERANCES (EXCEPT AS NOTED)		W132 N10611 Grant Drive Germantown, WI 53022 HarmonicGuard Low Capacitance HGL, 125HP, 600/3/60, Type 3R
	DECIMAL		
	.XX ± .25 .XXX ± .10		
	FRACTIONAL ± 1/16		
B Add PQConnect	3/14/19	DSW	DRN BY: DSW DATE: 10/4/17
NO REVISION	DATE	BY	SCALE: 1/8 APRVD: 107309DG
ANGULAR ± 1°			SIZE C SHT 1 OF 1