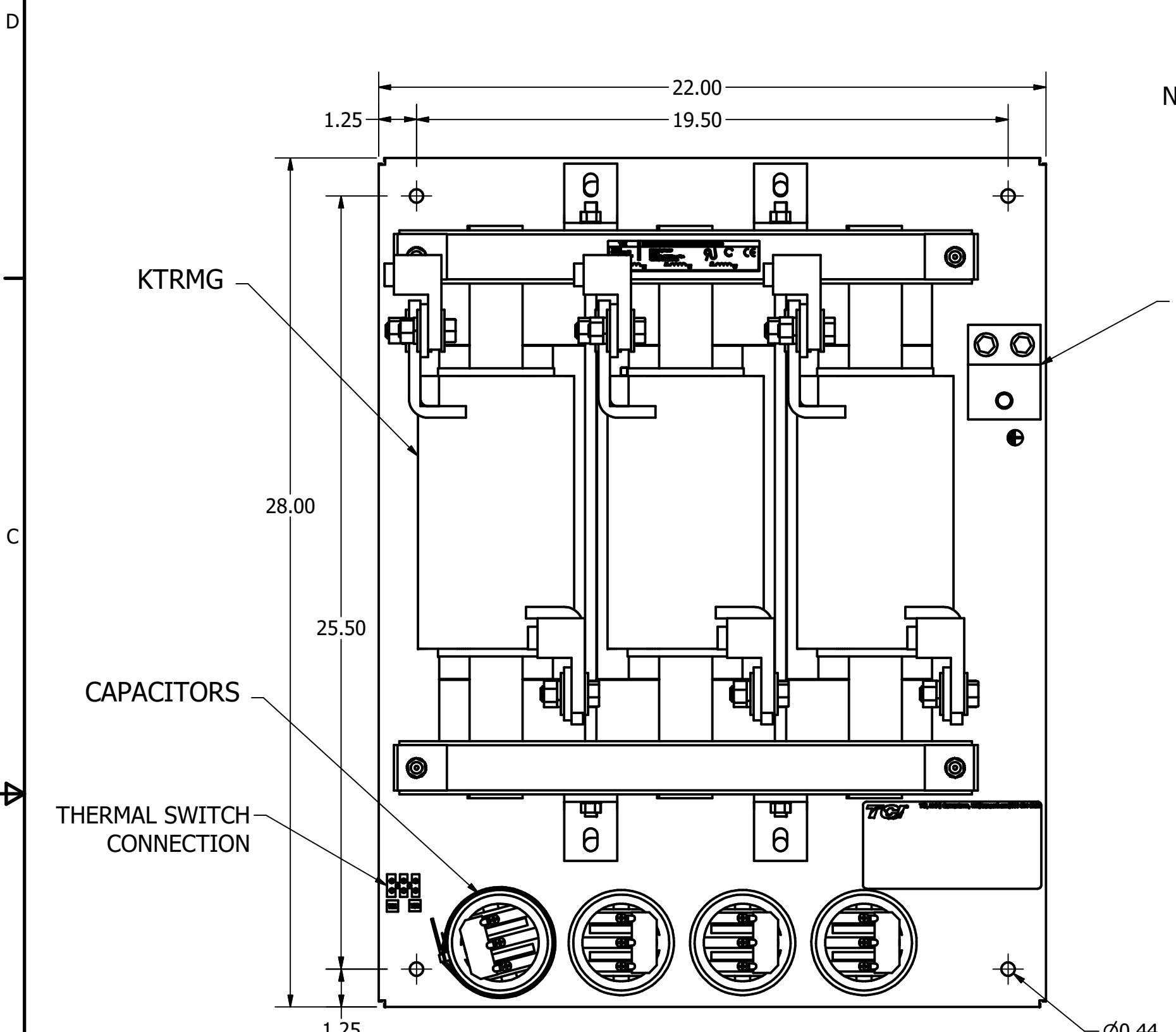
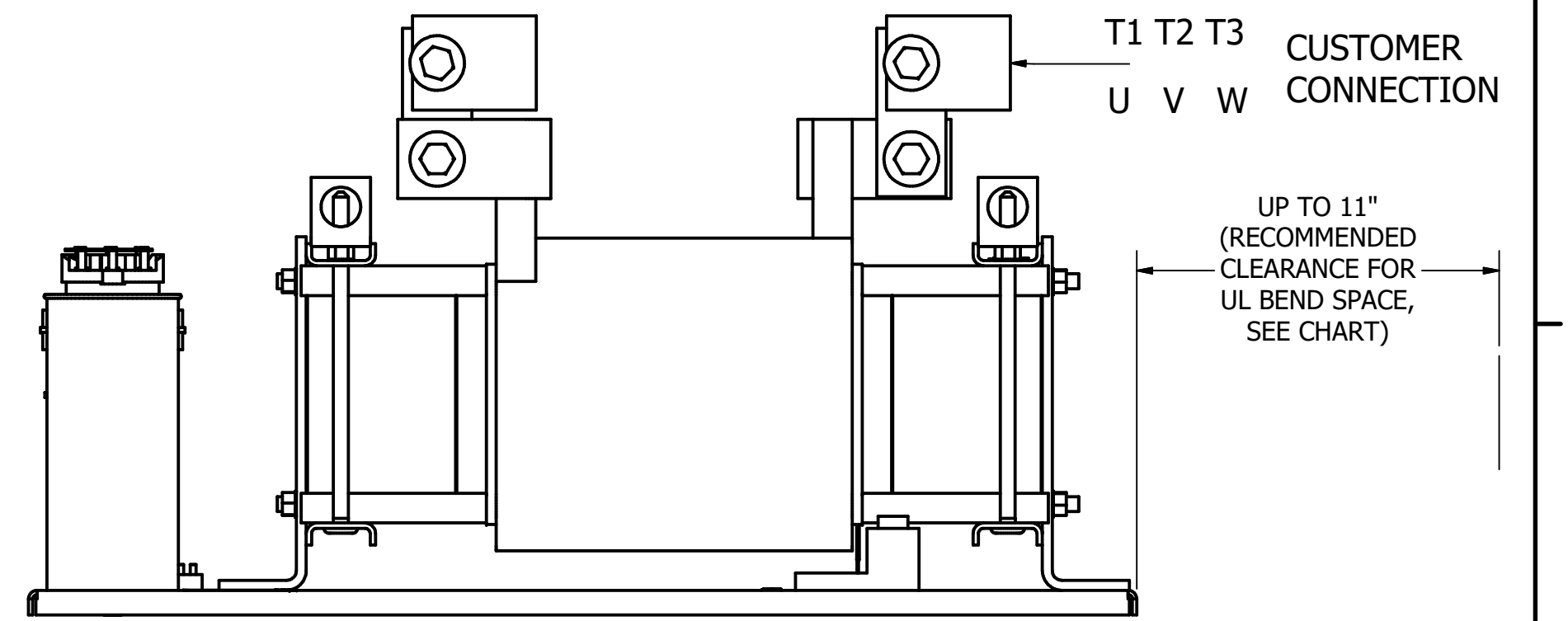
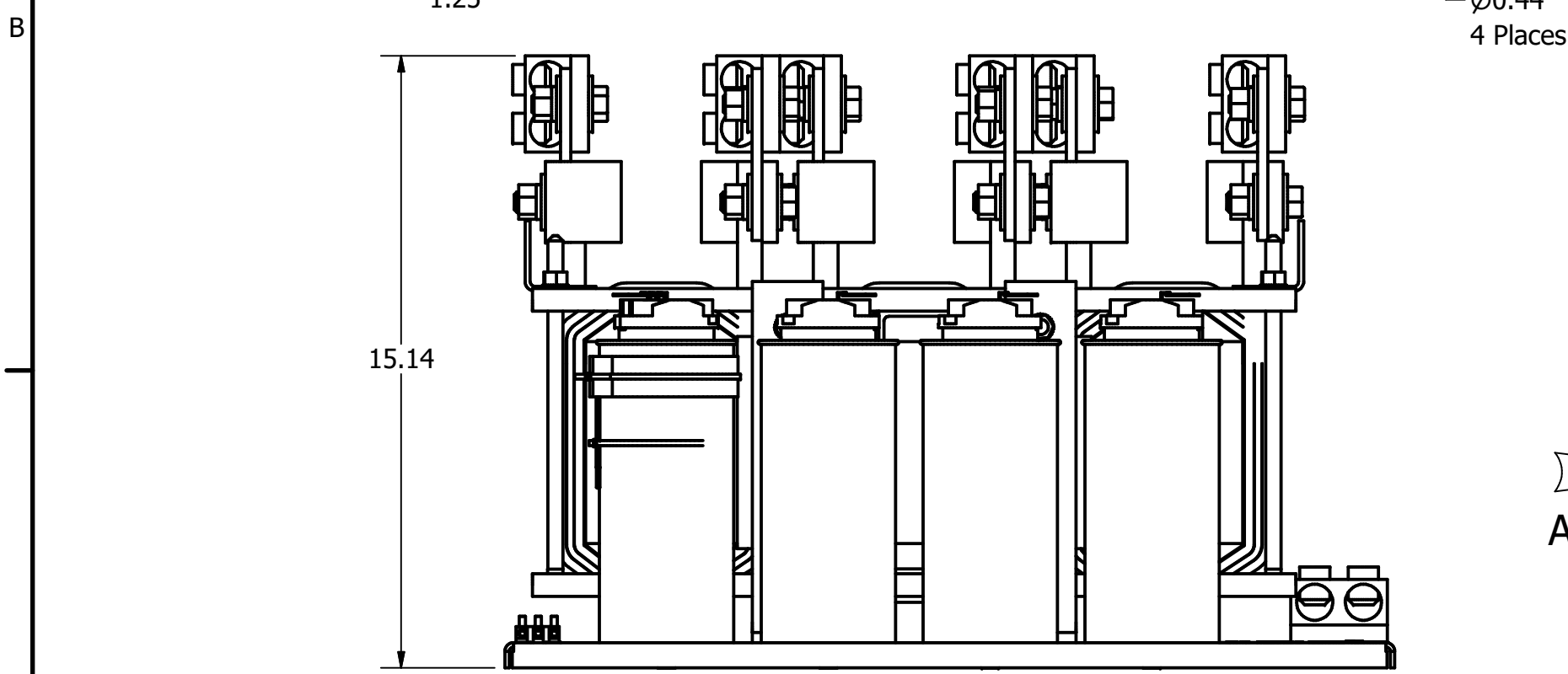
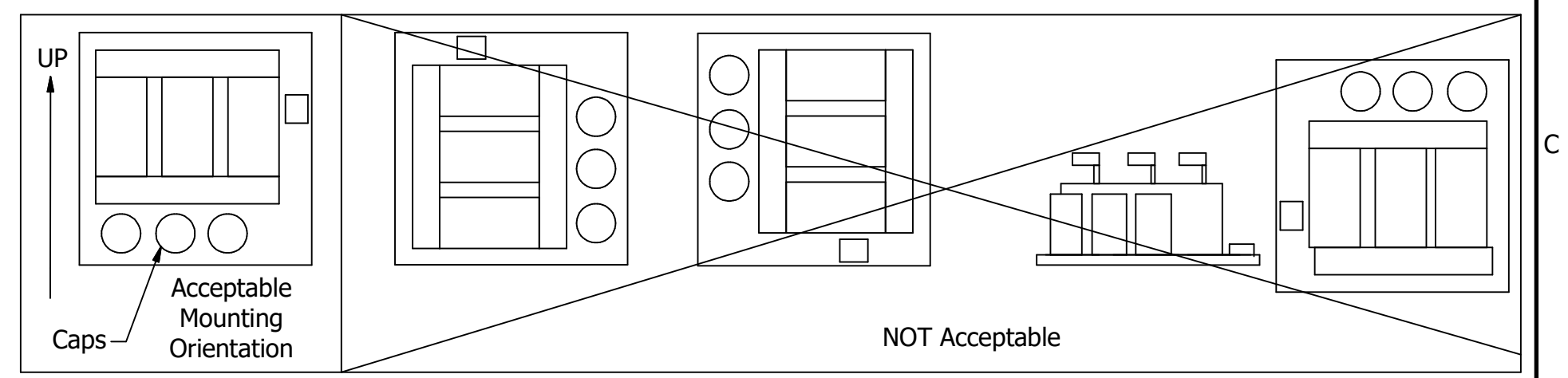
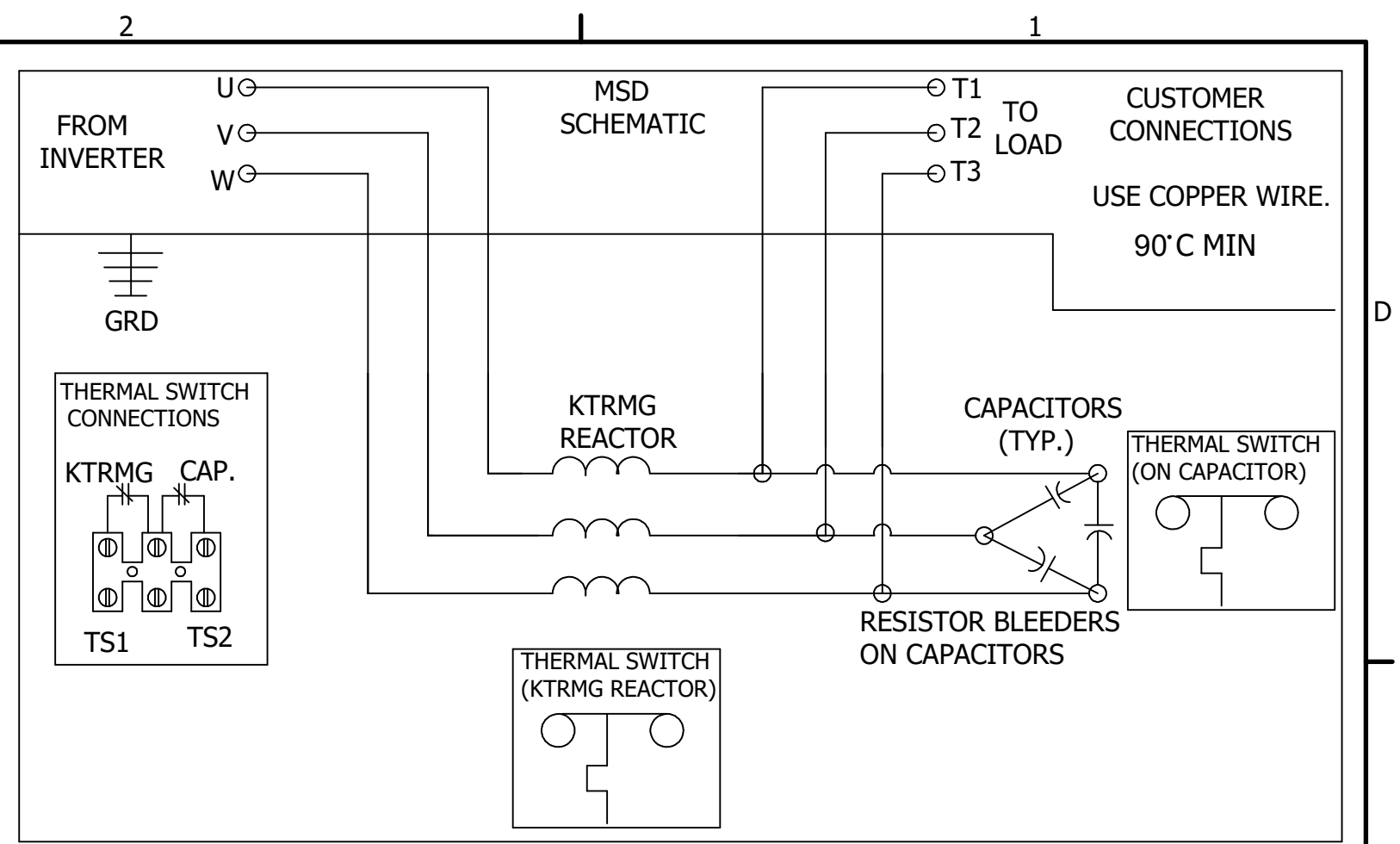


HGP PART NUMBER	HP	VOLT	CURRENT	WEIGHT	PRESSURE TERMINAL WIRE RANGE
MSD0480A000	400	480V	480 AMPS	525 LBS	(2) 600MCM-4AWG



NOTE: FOR WIRE RANGE AND TORQUE INFORMATION SEE IOM MANUAL.



CUSTOMER IS RESPONSIBLE FOR PROPER COOLING OF FILTER COMPONENTS

CUSTOMER IS RESPONSIBLE FOR INSTALLATION TO MEET ALL NATIONAL AND LOCAL ELECTRICAL CODES.

			TOLERANCES (EXCEPT AS NOTED)		W132 N10611 Grant Drive Germantown, WI 53022	
			DECIMAL		MotorShield Sinewave Filter 480 Amp, 480/3/60, Open	
			.XX ± .03		DRN BY JRN DATE 11/11/20 108774DG	
			.XXX ± .010		SCALE 1/3	
			FRACTIONAL		SIZE C	
			± 1/32		SHT 1 OF 1	
			ANGULAR			
			± 1°			
A	As Designed	11/11/20	JRN			
NO	REVISION	DATE	BY			