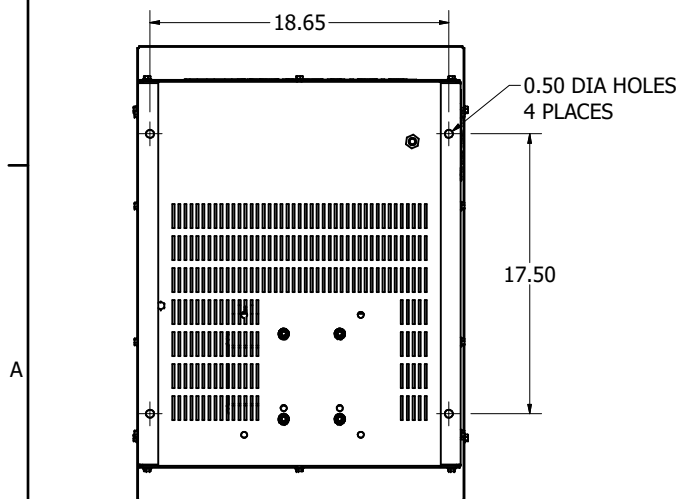


NOTE: FOR WIRE RANGE AND TORQUE INFORMATION SEE IOM MANUAL.



| MSD PART NUMBER | HP | VOLTAGE | CURRENT | WEIGHT | PRESSURE TERMINAL WIRE RANGE |
|-----------------|-----|---------|---------|--------|------------------------------|
| MSD0032B300 | N/A | 240V | 32 AMPS | 144LBS | 2/0 -14 AWG |
| MSD0042B300 | 15 | 240V | 42 AMPS | 162LBS | 2/0- 14 AWG |
| MSD0054B300 | 20 | 240V | 54 AMPS | 177LBS | 2/0- 14 AWG |
| MSD0068B300 | 25 | 240V | 68 AMPS | 187LBS | 250MCM-1 AWG |

CUSTOMER IS RESPONSIBLE FOR INSTALLATION TO MEET ALL NATIONAL AND LOCAL ELECTRICAL CODES.

THE INFORMATION AND DESIGNS CONTAINED IN THIS DRAWING ARE CONFIDENTIAL AND THE PROPRIETARY PROPERTY OF ALLIED MOTION TECHNOLOGIES INC. AND ITS SUBSIDIARIES. NEITHER THIS DESIGN NOR ANY INFORMATION CONTAINED IN THIS DRAWING MAY BE REPRODUCED OR DISCLOSED TO OTHERS WITHOUT THE EXPRESS WRITTEN CONSENT OF ALLIED MOTION TECHNOLOGIES INC. AND ITS SUBSIDIARIES.

| NO | REVISION | DATE | BY | SCALE |
|----|-------------|---------|-----|-------|
| A | As Designed | 6/04/19 | JRN | |

TOLERANCES (EXCEPT AS NOTED)
 DECIMAL
 .XX ± .03
 .XXX ± .010
 FRACTIONAL
 1/32 ± 1/32
 ANGULAR
 ± 1°

TCL W132N10611 (Rev 13 Feb 2022)
 Germantown, WI 53022
 © 2022 TCL, LLC
 An Official Motors Company
 MotorShield Sinewave Filter
 28 To 68 Amps, 240/3/60, Type 1/3R
 DES. BY: JRN DATE: 1/6 FILE: 108176DG
 SCALE: 1 DRAWN: CSE