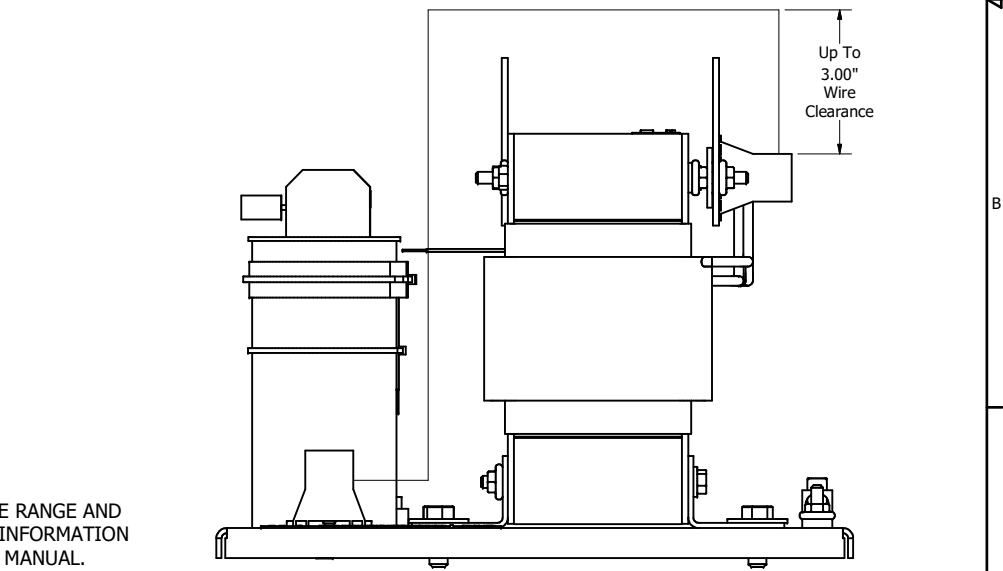
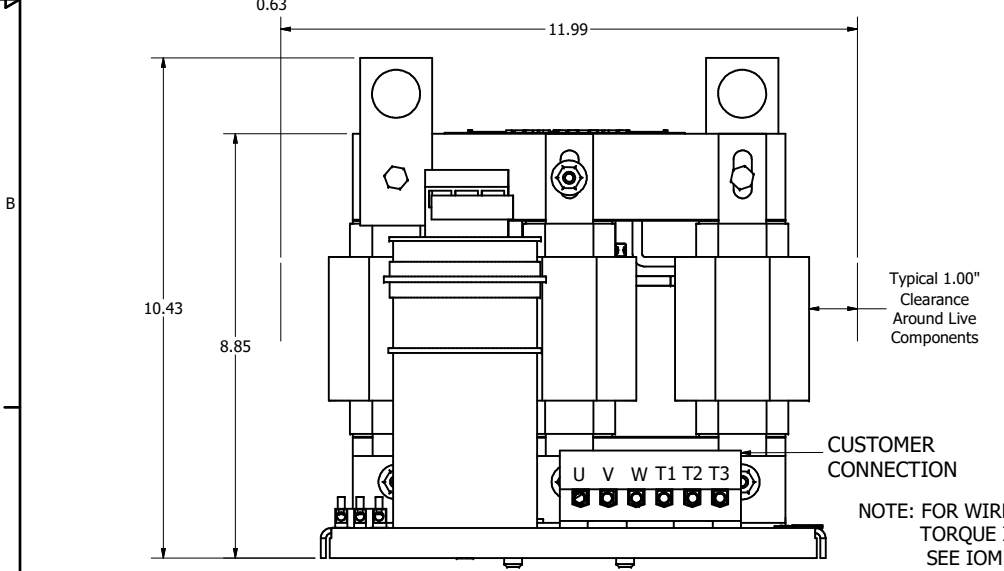
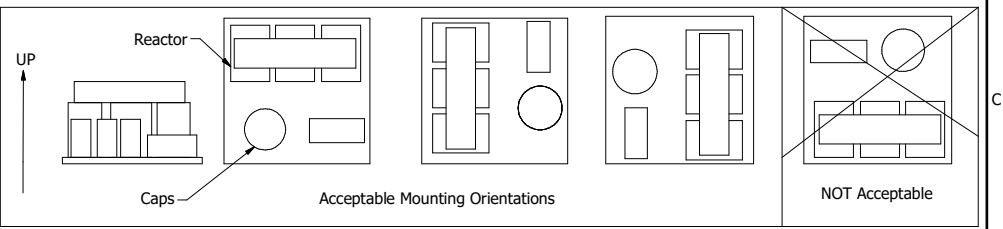
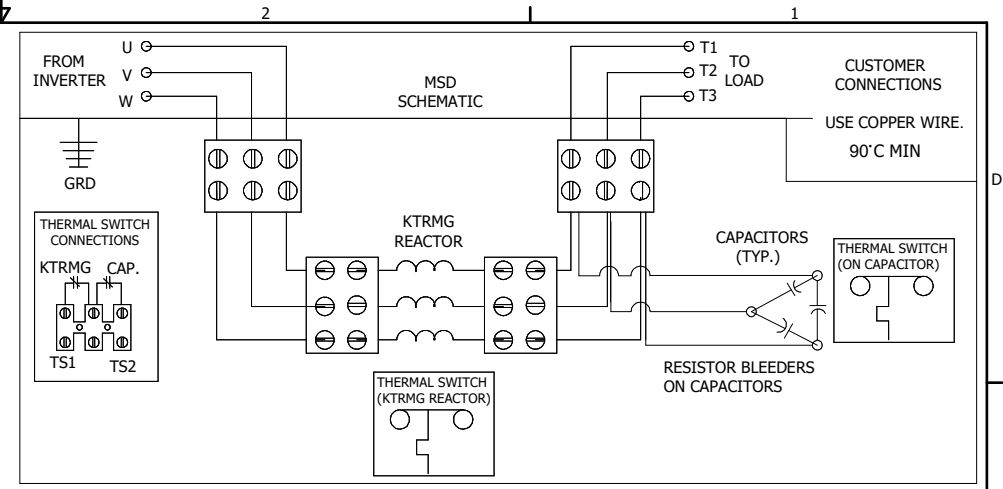
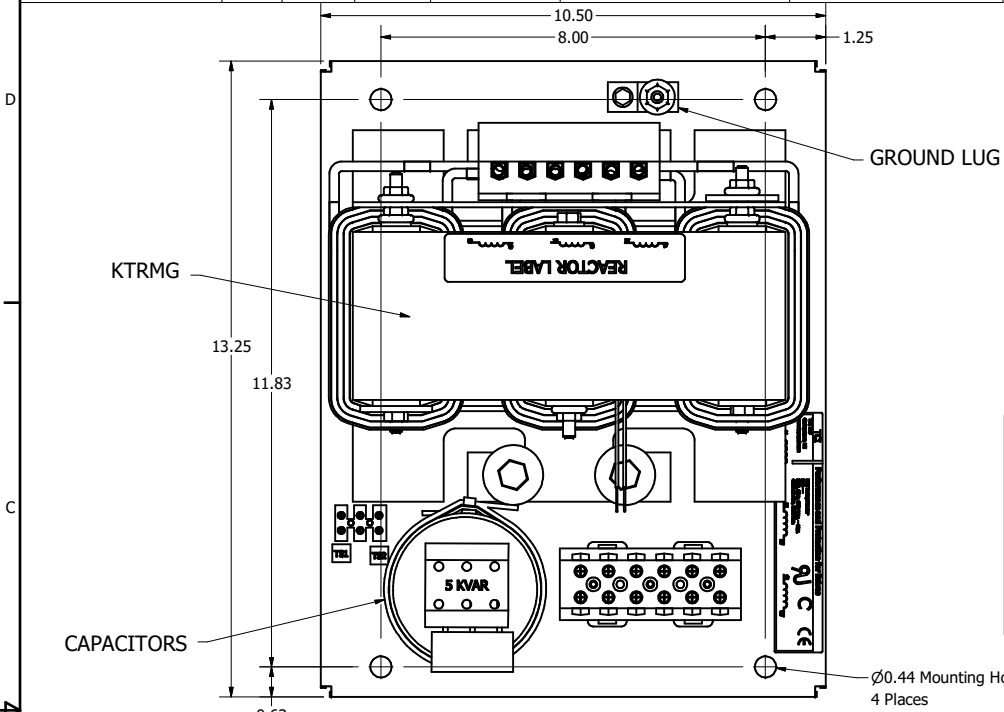


HGP PART NUMBER	HP	VOLT	CURRENT	WEIGHT	TERMINAL BLOCK	GROUND LUG
MSD0055A000	40	480V	55 AMPS	100LBS	WIRE RANGE: 1-22AWG	WIRE RANGE: 2/0 - 4AW



**WARNING**  
 WAIT TWO MINUTES AFTER POWER IS TURNED OFF BEFORE OPENING TO ALLOW FOR CAPACITOR DISCHARGE.

CAPACITOR DISCHARGE LABEL TO SHIP WITH PANEL

CUSTOMER IS RESPONSIBLE FOR PROPER COOLING OF FILTER COMPONENTS CAPACITORS MAXIMUM AMBIENT 50°C

CUSTOMER IS RESPONSIBLE FOR INSTALLATION TO MEET ALL NATIONAL AND LOCAL ELECTRICAL CODES.

				TOLERANCES (EXCEPT AS NOTED)		TCI W132 N10611 Grant Drive Germantown, WI 53022	
				DECIMAL		MotorShield Sinewave Filter	
				.XX ± .03		55 Amp, 480/3/60, Open	
				.XXX ± .010		108041DG	
				FRACTIONAL		DATE: 03/08/19	
				± 1/32		REVISED: 03/08/19	
				ANGULAR		SCALE: 1/2"	
				± 1°		SHT 1 OF 1	
A	As Designed	03/08/19	JRN	NO	REVISION	DATE	BY