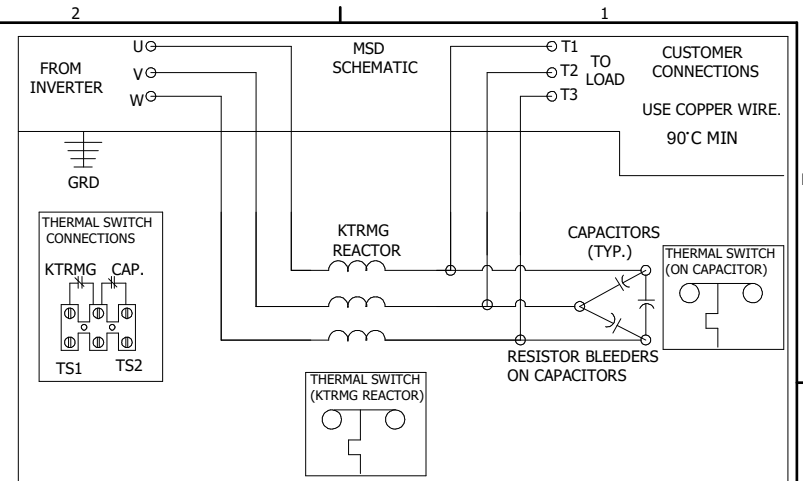
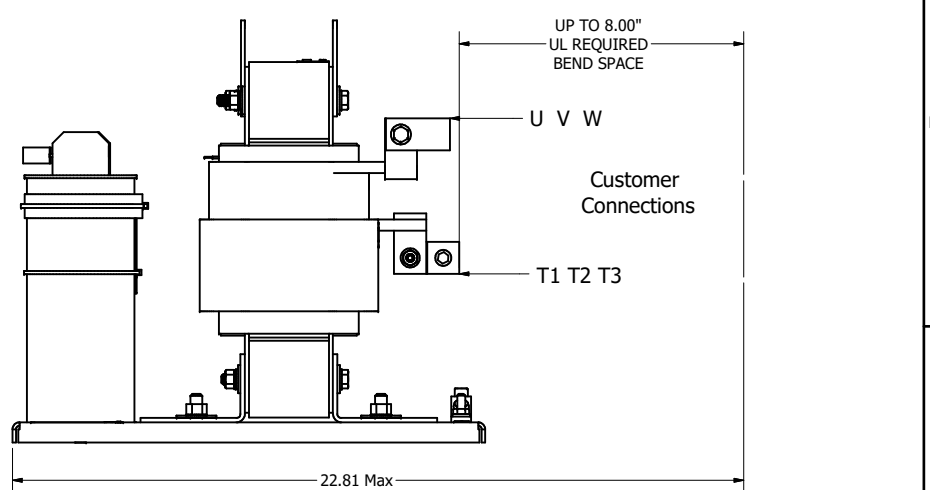
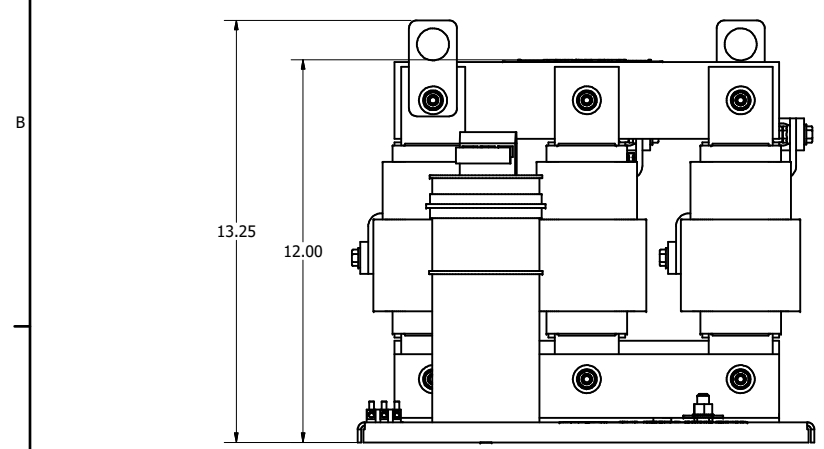
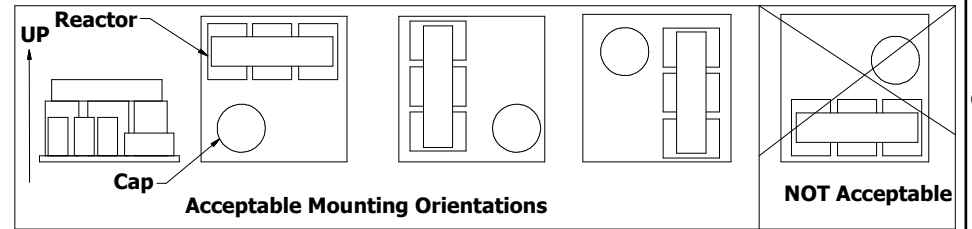
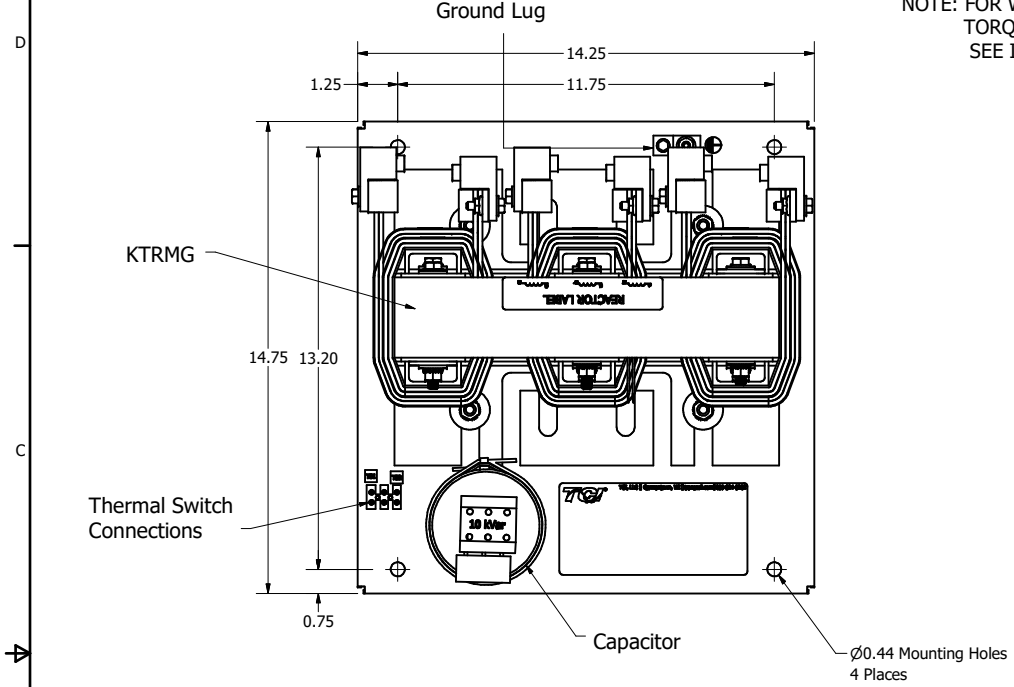


HGP PART NUMBER	HP	VOLT	CURRENT	WEIGHT	PRESSURE TERMINAL WIRE RANGE	BEND SPACE
MSD0080A000	60	480V	80 AMPS	120LBS	2/0 - 14AWG	6.00"
MSD0110A000	75	480V	110 AMPS	120LBS	2/0 - 14AWG	6.00"
MSD0130A000	100	480V	130 AMPS	130LBS	250MCM -1 AWG	8.00"



NOTE: FOR WIRE RANGE AND TORQUE INFORMATION SEE IOM MANUAL.



Customer Is Responsible For Proper Cooling Of Filter Components
Capacitors Maximum Ambient 50°C.

Customer Is Responsible For Installation To Meet All National And Local Electrical Codes.

Material(s) Shall be RoHS Compliant

WARNING
WAIT TWO MINUTES AFTER POWER IS TURNED OFF BEFORE OPENING TO ALLOW FOR CAPACITOR DISCHARGE.

CAPACITOR DISCHARGE LABEL TO SHIP WITH PANEL

THE INFORMATION AND DESIGNS CONTAINED IN THIS DRAWING ARE CONFIDENTIAL AND THE PROPRIETARY PROPERTY OF ALLIED MOTION TECHNOLOGIES INC. AND ITS SUBSIDIARIES. NEITHER THIS DESIGN NOR ANY INFORMATION CONTAINED IN THIS DRAWING MAY BE REPRODUCED OR DISCLOSED TO OTHERS WITHOUT THE EXPRESS WRITTEN CONSENT OF ALLIED MOTION TECHNOLOGIES INC. AND ITS SUBSIDIARIES.		E	6320, Inductor chg. BUSBAR TO FLAG	6/26/2023	DSW	TOLERANCES (EXCEPT AS NOTED)	 W132N10611 (Rev 13) Feb Germantown, WI 53022 © 2023 TCI, LLC
D	Corrected Max Depth	02/04/20	JRN	.XX ± .25 .XXX ± .10			
C	4670 Added 80A, 110A, 130A Options	03/08/19	JRN	FRACTIONAL ± 1/32			
B	Orientation and Bend Space Added	10/05/18	JRN	ANGULAR ± 1°			
A	As Designed	06/18/18	JRN				
NO	REVISION	DATE	BY				

DRN BY	DATE	REV	FILE
JRN	06/18/18	1	107750DG
SCALE	DRW	REV	FILE
1/3			

MotorShield Sinewave Filter
80-130 Amp, 480/3/60, Open