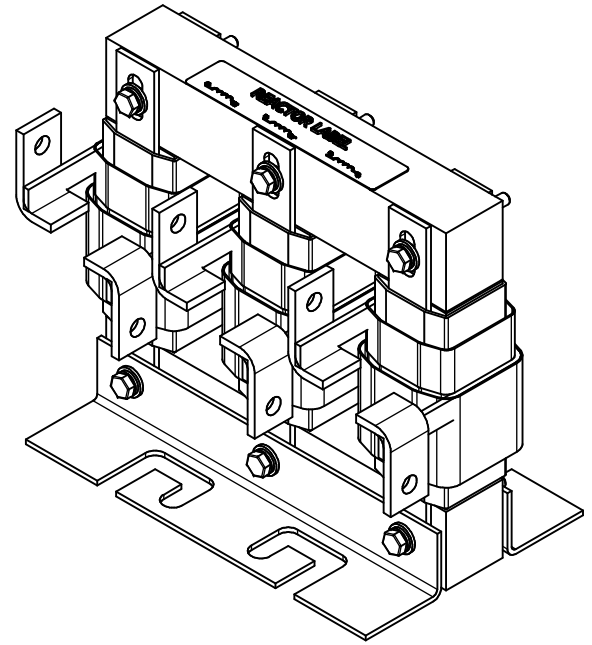
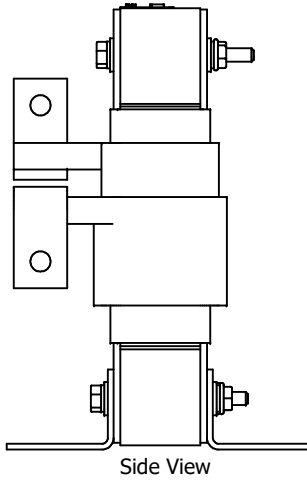


480 Rated Voltage, 600 Max Voltage, Output						
Part Number	Horsepower (HP)	Motor Amps (A)	Maximum Amps (A)	Inductance (uH)	Weight (LBS)	Terminal Hole Diameter (Inches)
KDRH1P	100	124	130	80.2	30	0.38

575 Rated Voltage, 600 Max Voltage, Output						
Part Number	Horsepower (HP)	Motor Amps (A)	Maximum Amps (A)	Inductance (uH)	Weight (LBS)	Terminal Hole Diameter (Inches)
KDRH31P	125	125	130	146	30	0.38



**TCI** (800) 824-8282 transcoil.com

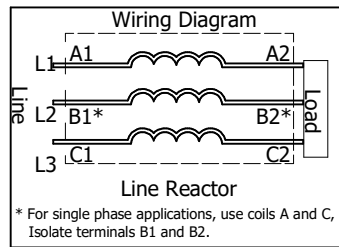
TCI, LLC  
 Germantown, WI, USA  
 transcoil.com  
 800-824-8282

KDRH Drive Reactor  
 KDR - Motor Amps ---  
 300V, 50/60Hz, ---Y Rated, 600V Max, ---A Max  
 400 Arms Max, 1.50C Max, 1000  
 Manual #30895 LUG KIT #BLK---

UL LISTED  
 cULus LISTED

DATE CODE

- Notes:
1. KDR Lug Kits sold separately. Contact TCI.
  2. UL file number: cULus Listed File E116124.
  3. KDR Drive Reactors Comply With The Thermal and Altitude Standards Set Forth by NEMA ST20-1992.
  4. KDR IOM Manual Part Number 30895
  5. Material(s) Shall be RoHS Compliant
  6. Customer Is Responsible For Installation To Meet All National And Local Electrical Codes.



THE INFORMATION AND DESIGNS CONTAINED IN THIS DRAWING ARE CONFIDENTIAL AND THE PROPRIETARY PROPERTY OF ALLIED MOTION TECHNOLOGIES INC. AND ITS SUBSIDIARIES. NEITHER THIS DESIGN NOR ANY INFORMATION CONTAINED IN THIS DRAWING MAY BE REPRODUCED OR DISCLOSED TO OTHERS WITHOUT THE EXPRESS WRITTEN CONSENT OF ALLIED MOTION TECHNOLOGIES INC. AND ITS SUBSIDIARIES.				TOLERANCES (EXCEPT AS NOTED) DECIMAL .XX ± .25 .XXX ± .10 FRACTIONAL ± 1/32 ANGULAR ± 1°		 W132N10611 (Rev 13 Feb 2023) Germantown, WI 53022 © 2023 TCI, LLC An Official Motors Company KDR H Frame, Flag Version Reactor Drawing DWG BY: DSW DATE: 8/28/2023 107589-3DG SCALE: 1/2 DRAWN BY: CSE SHEET 1 OF 2	
A	6394 was bushbar	8/28/2023	DSW	NO	REVISION	DATE	BY