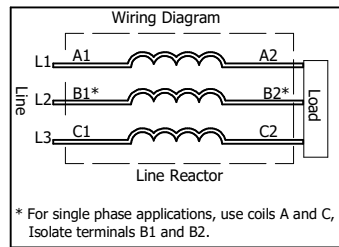
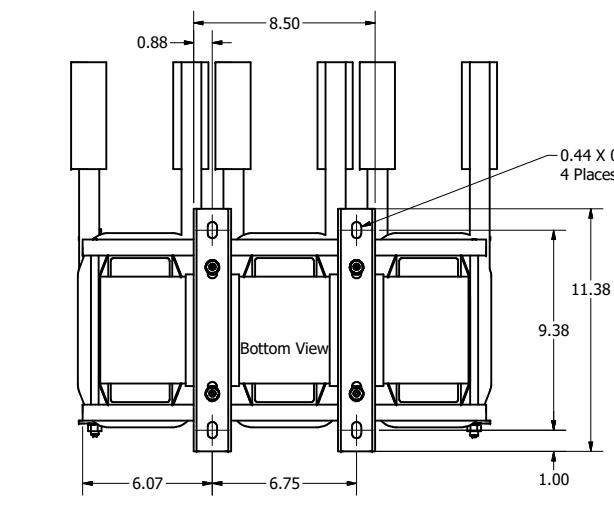
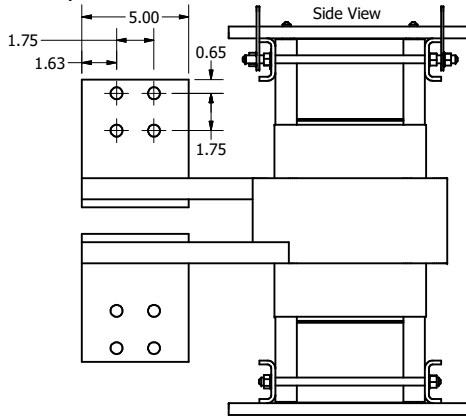


(Customer Connections) Markings On Coils For Reference Only.



* For single phase applications, use coils A and C, Isolate terminals B1 and B2.

575 Rated Voltage, 600 Max Voltage, High Z, Impedance.								
Part Number	Horsepower (HP)	Motor Amps (A)	Maximum Amps (A)	Inductance (uH)	Weight (LBS)	Losses (W)	Available Lug Kit	Terminal Hole Size (Inches)
KDRY41H	1250	1200	1200	31.9	475	2488	SLK17	0.56

575 Rated Voltage, 600 Max Voltage, Low Z, Impedance.								
Part Number	Horsepower (HP)	Motor Amps (A)	Maximum Amps (A)	Inductance (uH)	Weight (LBS)	Losses (W)	Available Lug Kit	Terminal Hole Size (Inches)
KDRY41L	1500	1440	1500	15.9	465	1791	SLK18	0.56

480 Rated Voltage, 600 Max Voltage, Low Z, Impedance.								
Part Number	Horsepower (HP)	Motor Amps (A)	Maximum Amps (A)	Inductance (uH)	Weight (LBS)	Losses (W)	Available Lug Kit	Terminal Hole Size (Inches)
KDRY1L	1100	1320	1350	14.2	475	1371	SLK18	0.56
KDRY2L	1250	1500	1500	12.5	500	1558	SLK18	0.56

TCL (800) 824-8282 transcoil.com

TCL, LLC
 Germantown, WI, USA
transcoil.com
 800-824-8282

KDRUL Drive Reactor
 KDR - Motor Amps -
 SPT, 50/60 Hz, -Y Rated, 600V Max, -A Max
 40C Arm Bus, 150C Pins, 150HS
 Manual #30895 LUG KIT #SLK-

UL LISTED CE
 2002 cert. no. 1000

DATE CODE A1 C1

- Notes:
1. KDR Lug Kits sold separately. Contact TCL.
 2. For KDRUL Version With Terminal Lugs Attached, See Sheet 2
 3. UL file number: cULus Listed File E116124.
 4. KDR Drive Reactors Comply With The Thermal and Altitude Standards Set Forth by NEMA ST20-1992.
 5. KDR IOM Manual Part Number 30895
 6. Material(s) Shall be RoHS Compliant
 7. Customer Is Responsible For Installation To Meet All National And Local Electrical Codes.

THE INFORMATION AND DESIGNS CONTAINED IN THIS DRAWING ARE CONFIDENTIAL AND THE PROPRIETARY PROPERTY OF ALLIED MOTION TECHNOLOGIES INC. AND ITS SUBSIDIARIES. NEITHER THIS DESIGN NOR ANY INFORMATION CONTAINED IN THIS DRAWING MAY BE REPRODUCED OR DISCLOSED TO OTHERS WITHOUT THE EXPRESS WRITTEN CONSENT OF ALLIED MOTION TECHNOLOGIES INC. AND ITS SUBSIDIARIES.				TOLERANCES (EXCEPT AS NOTED) DECIMAL .XX ± .03 .XXX ± .010 FRACTIONAL ± 1/32 ANGULAR ± 1°				 W132N10611 (Rev. 11/16) Germantown, WI 53022 © 2022 TCL, LLC An Official Motors Company KDR Y-Frame, Copper Bus Reactor Drawing DWN BY: DSW DATE: 3/5/18 107540DG SCALE: 1/4.5 DRAWN BY: CJC SHEET 1 OF 6	
A	Combined drawings	3/5/18	DSW						
NO	REVISION	DATE	BY						