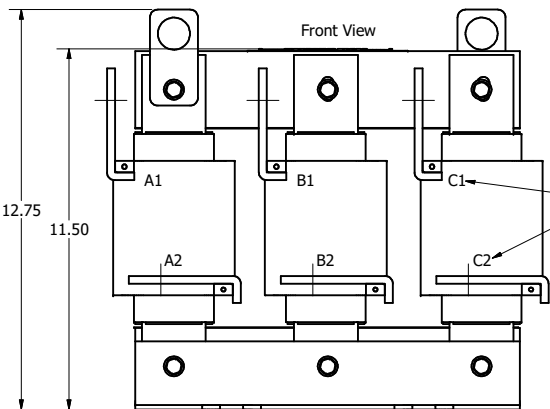
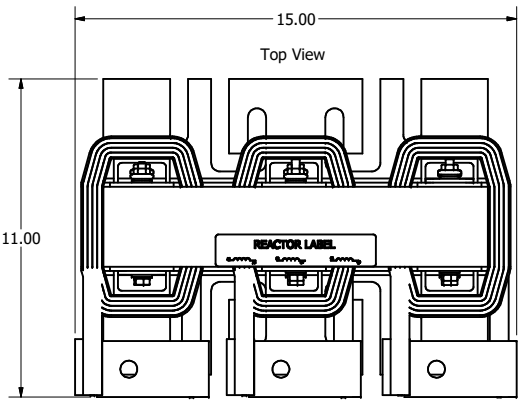
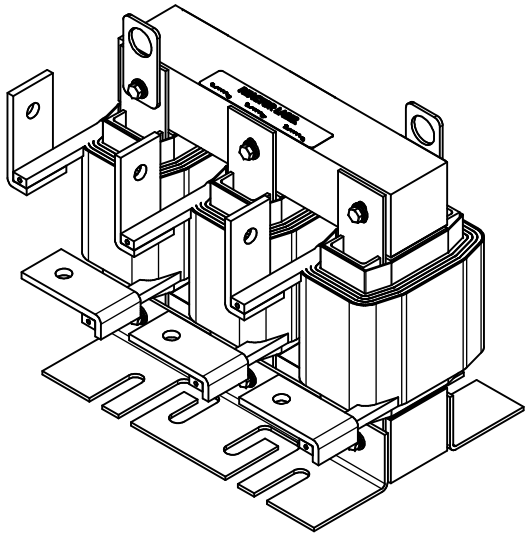
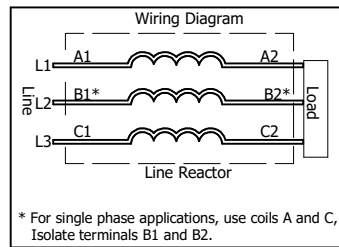
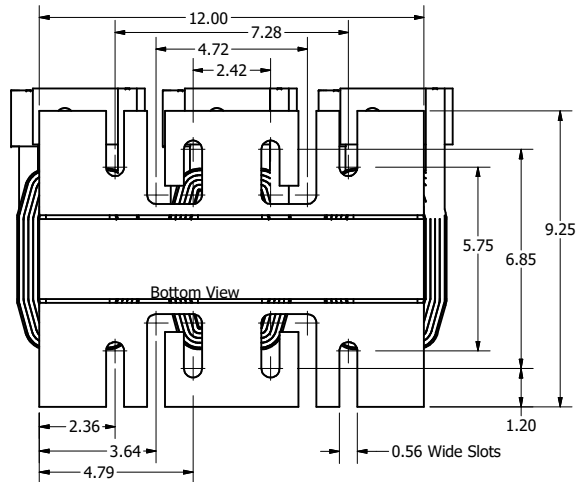
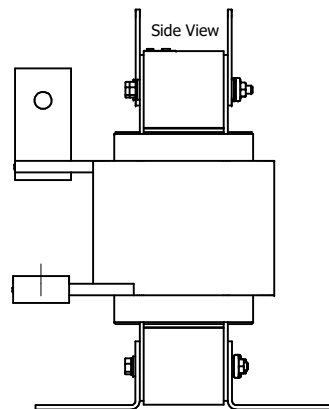


575 Rated Voltage, 600 Max Voltage, High Z, Impedance.								
Part Number	Horsepower (HP)	Motor Amps (A)	Maximum Amps (A)	Inductance (uH)	Weight (LBS)	Losses (W)	Available Lug Kit	Terminal Hole Size (Inches)
KDRL48H	350	336	344	138	110	539	SLK13	0.53
KDRL49H	400	382	382	120	110	603	SLK13	0.53

575 Rated Voltage, 600 Max Voltage, Low Z, Impedance.								
Part Number	Horsepower (HP)	Motor Amps (A)	Maximum Amps (A)	Inductance (uH)	Weight (LBS)	Losses (W)	Available Lug Kit	Terminal Hole Size (Inches)
KDRL45L	500	472	480	62.5	110	587	SLK13	0.53
KDRL42L	600	576	610	39.8	150	716	SLK14	0.53



(Customer Connections) Markings On Coils For Reference Only.



* For single phase applications, use coils A and C, Isolate terminals B1 and B2.

TCL (800) 824-8282 transcoil.com

TCL, LLC
Germanstown, WV, USA
transcoil.com
800-824-8282

KDRUL Drive Reactor
KDR - Motor Amps ---
3PH, 50/60Hz, ---V Rated, 600V Max, -A Max
40C Amb Max, 180C Rise, Ref'd
Manual #30895 LUG KIT #SLK---

UL LISTED
250 CWT, 10, 2000

DATE CODE

- Notes:
1. KDR Lug Kits sold separately. Contact TCL.
 2. For KDRUL Version With Terminal Lugs Attached, See Sheet 4
 3. UL file number: cULus Listed File E116124.
 4. KDR Drive Reactors Comply With The Thermal and Altitude Standards Set Forth by NEMA ST20-1992.
 5. KDR IOM Manual Part Number 30895
 6. NEC Current For 208/240 Volts, Horsepower Based On 208 Volts.
 7. Material(s) Shall be RoHS Compliant
 8. Customer Is Responsible For Installation To Meet All National And Local Electrical Codes.

THE INFORMATION AND DESIGNS CONTAINED IN THIS DRAWING ARE CONFIDENTIAL AND THE PROPRIETARY PROPERTY OF ALLIED MOTION TECHNOLOGIES INC. AND ITS SUBSIDIARIES. NEITHER THIS DESIGN NOR ANY INFORMATION CONTAINED IN THIS DRAWING MAY BE REPRODUCED OR DISCLOSED TO OTHERS WITHOUT THE EXPRESS WRITTEN CONSENT OF ALLIED MOTION TECHNOLOGIES INC. AND ITS SUBSIDIARIES.

TOLERANCES (EXCEPT AS NOTED)			
DECIMAL	.XX ± .03	.XXX ± .010	
FRACTIONAL	± 1/32		
ANGULAR	± 1°		

TCL W132N10611 (Rev. 11/16)
Germanstown, WV 26032

An Official Motors Company

KDR L Frame, Copper Bus
Reactor Drawing

OWN BY: DSW DATE: 3/23/18 107537DG
SCALE: 1/3.2 DRAWN BY: CSE SHEET 3 OF 10