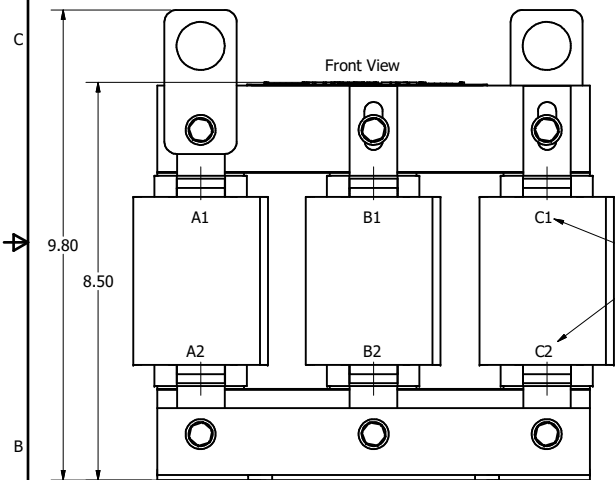


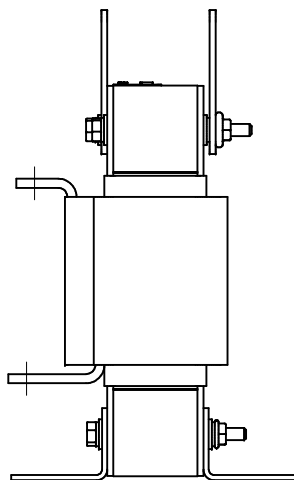
| 575 Rated Voltage, 600 Max Voltage, High Z, Impedance. | | | | | | | | |
|--|-----------------|----------------|------------------|-----------------|--------------|------------|-------------------|-----------------------------|
| Part Number | Horsepower (HP) | Motor Amps (A) | Maximum Amps (A) | Inductance (uH) | Weight (LBS) | Losses (W) | Available Lug Kit | Terminal Hole Size (Inches) |
| KDR141H | 100 | 99 | 99 | 471 | 50 | 268 | SLK10 | .034 |

| 480 Rated Voltage, 600 Max Voltage, Output | | | | | | | | |
|--|-----------------|----------------|------------------|-----------------|--------------|------------|-------------------|-----------------------------|
| Part Number | Horsepower (HP) | Motor Amps (A) | Maximum Amps (A) | Inductance (uH) | Weight (LBS) | Losses (W) | Available Lug Kit | Terminal Hole Size (Inches) |
| KDR11P | 125 | 156 | 160 | 70 | 50 | 127 | SLK11 | 0.34 |

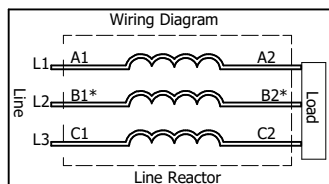
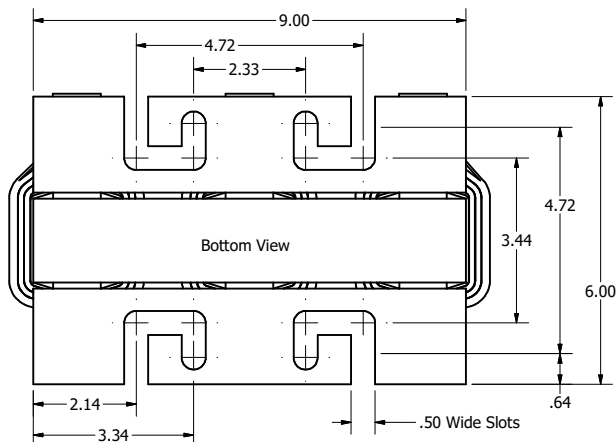
| 575 Rated Voltage, 600 Max Voltage, Output | | | | | | | | |
|--|-----------------|----------------|------------------|-----------------|--------------|------------|-------------------|-----------------------------|
| Part Number | Horsepower (HP) | Motor Amps (A) | Maximum Amps (A) | Inductance (uH) | Weight (LBS) | Losses (W) | Available Lug Kit | Terminal Hole Size (Inches) |
| KDR131P | 150 | 144 | 160 | 72.3 | 50 | 127 | SLK11 | 0.34 |



(Customer Connections) Markings On Coils For Reference Only.



Side View



* For single phase applications, use coils A and C, Isolate terminals B1 and B2.

TCL (800) 824-8282 transcoll.com

KDRUL Drive Reactor
 KDR - Motor Amps ---
 3PH, 50/60Hz, ---V Rated, 600V Max, -A Max
 40C Amb Max, 155C Max, RoHS
 Manual #30895 LUG KIT #SLK---

UL LISTED CE
 2008-2013, 2014, 2015

DATE CODE A1 B1 C1

- Notes:
1. KDR Lug Kits sold separately. Contact TCI.
 2. For KDRUL Version With Terminal Lugs Attached, See Sheet 2
 3. UL file number: cULus Listed File E116124.
 4. KDR Drive Reactors Comply With The Thermal and Altitude Standards Set Forth by NEMA ST20-1992.
 5. KDR IOM Manual Part Number 30895
 6. NEC Current For 208/240 Volts, Horsepower Based On 208 Volts.
 7. Material(s) Shall be RoHS Compliant
 8. Customer Is Responsible For Installation To Meet All National And Local Electrical Codes.

THE INFORMATION AND DESIGNS CONTAINED IN THIS DRAWING ARE CONFIDENTIAL AND THE PROPRIETARY PROPERTY OF ALLIED MOTION TECHNOLOGIES INC. AND ITS SUBSIDIARIES. NEITHER THIS DESIGN NOR ANY INFORMATION CONTAINED IN THIS DRAWING MAY BE REPRODUCED OR DISCLOSED TO OTHERS WITHOUT THE EXPRESS WRITTEN CONSENT OF ALLIED MOTION TECHNOLOGIES INC. AND ITS SUBSIDIARIES.

| NO | REVISION | DATE | BY | ANGULAR | TOLERANCES (EXCEPT AS NOTED) |
|----|------------------------|-----------|-----|------------|------------------------------|
| C | 6346, Remove KDR12H | 7/25/2023 | DSW | DECIMAL | .XX ± .25 .XXX ± .10 |
| B | 5937, Added lift rings | 5/24/22 | JSG | FRACTIONAL | ± 1/32 |
| A | Combined drawings | 2/27/18 | DSW | ANGULAR | ± 1° |

TCL W132N10611 (Rev 1) Feb 2023
 Germantown, WI 53012
 © 2023 TCI, LLC

An Official Motors Company
KDR I Frame, Copper Bus
 Reactor Drawing

OWN BY: DSW DATE: 2/27/18 107535DG
 SCALE: 1/2 DRAWN BY: DSW
 CHECKED BY: DSW SHEET: 1 OF 6