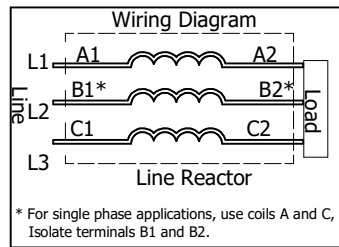
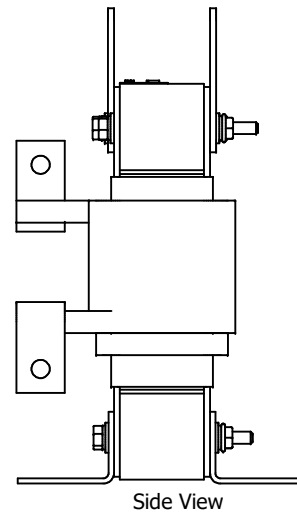


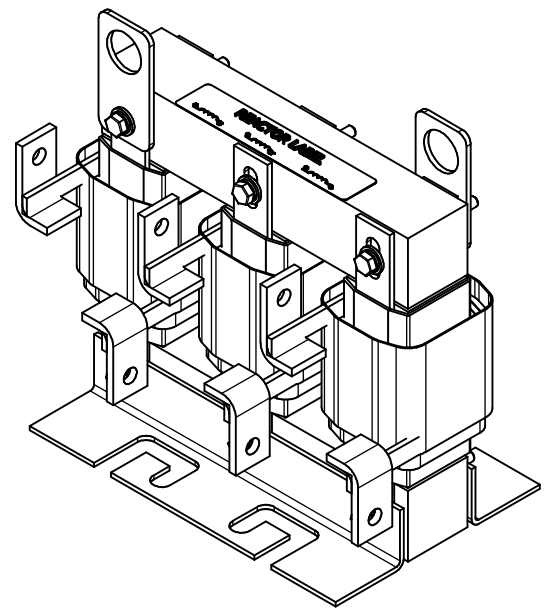
(Customer Connections) Markings On Coils For Reference Only.



* For single phase applications, use coils A and C, Isolate terminals B1 and B2.

480 Rated Voltage, 600 Max Voltage, High Z, Impedance.

Part Number	Horsepower (HP)	Motor Amps (A)	Maximum Amps (A)	Inductance (uH)	Weight (LBS)	Losses (W)	Available Lug Kit	Terminal Hole Size (Inches)
KDR12H	100	124	125	252	52	301	SLK10	0.38



TCI (800) 824-8282 transcoil.com
 KDRUL Drive Reactor
 KDR - Motor Amps -
 3PH, 50/60Hz, 1/2 Rated, 600V Max, -A Max
 400 Amp Max, 150C Rise, 100%
 Manual #30895 LUG KIT #SLK-
 UL LISTED CE
 250 CONT. OP. 15000
 DATE CODE A1 72 B1 72 C1 72

Notes:

1. KDR Lug Kits sold separately. Contact TCI.
2. UL file number: cULus Listed File E116124.
3. KDR Drive Reactors Comply With The Thermal and Altitude Standards Set Forth by NEMA ST20-1992.
4. KDR IOM Manual Part Number 30895
5. NEC Current For 208/240 Volts, Horsepower Based On 208 Volts.
6. Material(s) Shall be RoHS Compliant
7. Customer Is Responsible For Installation To Meet All National And Local Electrical Codes.

THE INFORMATION AND DESIGNS CONTAINED IN THIS DRAWING ARE CONFIDENTIAL AND THE PROPRIETARY PROPERTY OF ALLIED MOTION TECHNOLOGIES INC. AND ITS SUBSIDIARIES. NEITHER THIS DESIGN NOR ANY INFORMATION CONTAINED IN THIS DRAWING MAY BE REPRODUCED OR DISCLOSED TO OTHERS WITHOUT THE EXPRESS WRITTEN CONSENT OF ALLIED MOTION TECHNOLOGIES INC. AND ITS SUBSIDIARIES.				TOLERANCES (EXCEPT AS NOTED) DECIMAL .XX ± .25 .XXX ± .10 FRACTIONAL ± 1/32 ANGULAR ± 1°		W132N10611 (Rev 11/16) Germantown, WI 53022 © 2023 TCI, LLC An Official Motors Company KDR12H With Flag Terminals	
B	6346, Busbar to Flag Termination	7/18/2023	DSW	DRN BY	DATE	7/18/2023	107535-8DG
NO	REVISION	DATE	BY	SCALE	1/2	DRN	DATE