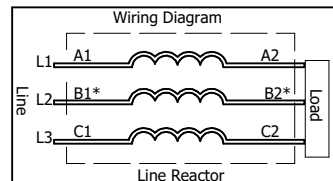
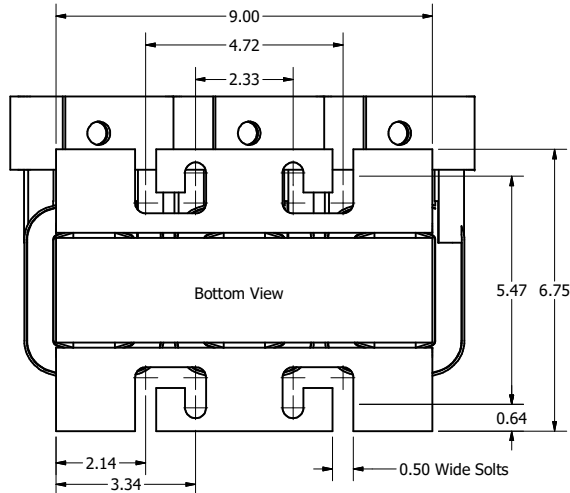
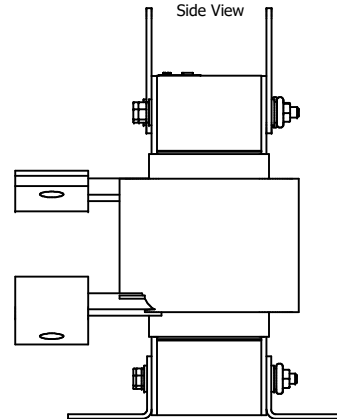
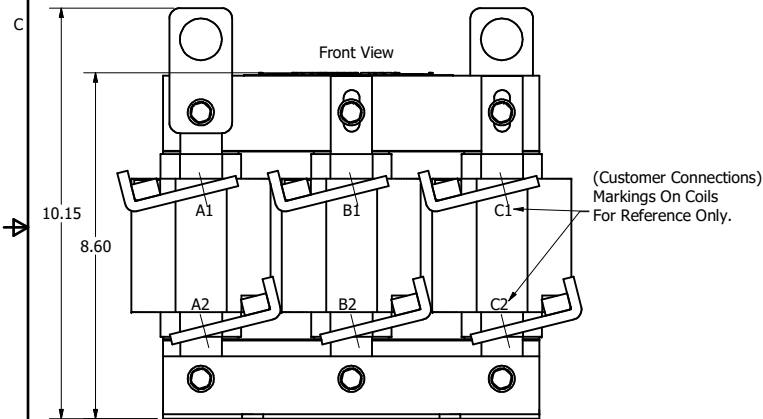


208/240 Rated Voltage, 600 Max Voltage, Low Z, Impedance.								
Part Number	Horsepower (HP)	Motor Amps (A)	Maximum Amps (A)	Inductance (uH)	Weight (LBS)	Available Lug Kit	Terminal Hole Size (Inches)	Losses (W)
KDRG22L	125	343	377	32.2	65	SLK13	0.56	370

208/204 Rated Voltage, 600 Max Voltage, High Z, Impedance.								
Part Number	Horsepower (HP)	Motor Amps (A)	Maximum Amps (A)	Inductance (uH)	Weight (LBS)	Available Lug Kit	Terminal Hole Size (Inches)	Losses (W)
KDRG25H	125	343	350	50.5	65	SLK13	0.56	347

480 Rated Voltage, 600 Max Voltage, Low Z, Impedance.								
Part Number	Horsepower (HP)	Motor Amps (A)	Maximum Amps (A)	Inductance (uH)	Weight (LBS)	Available Lug Kit	Terminal Hole Size (Inches)	Losses (W)
KDRG1L	250	302	340	65.4	65	SLK13	0.56	337
KDRG2L	300	361	370	56.5	65	SLK13	0.56	381



TCL (900) 824-8282 transcoll.com

KDRUL Drive Reactor
 KDR- Motor Amps ---
 3PH, 30/60Hz, ---V Rated, 600V Max, ---A Max
 40C Amps Max, 155C Temp, Ref 19
 Manual #50096 LUG KIT #SLK---

TCL, LLC
 Germantown, WI, USA
 transcoll.com
 800-824-8282

UL LISTED
 CE

DATE CODE

- Notes:
1. KDR Lug Kits sold separately. Contact TCI.
 2. For KDRUL Version With Terminal Lugs Attached, See Sheet 6
 3. UL file number: cULus Listed File E116124.
 4. KDR Drive Reactors Comply With The Thermal and Altitude Standards Set Forth by NEMA ST20-1992.
 5. KDR IOM Manual Part Number 30895
 6. NEC Current For 208/240 Volts, Horsepower Based On 208 Volts.
 7. Material(s) Shall be RoHS Compliant
 8. Customer Is Responsible For Installation To Meet All National And Local Electrical Codes.

THE INFORMATION AND DESIGNS CONTAINED IN THIS DRAWING ARE CONFIDENTIAL AND THE PROPRIETARY PROPERTY OF ALLIED MOTION TECHNOLOGIES INC. AND ITS SUBSIDIARIES. NEITHER THIS DESIGN NOR ANY INFORMATION CONTAINED IN THIS DRAWING MAY BE REPRODUCED OR DISCLOSED TO OTHERS WITHOUT THE EXPRESS WRITTEN CONSENT OF ALLIED MOTION TECHNOLOGIES INC. AND ITS SUBSIDIARIES.

NO	REVISION	DATE	BY

TOLERANCES (EXCEPT AS NOTED)

DECIMAL
 .XX ± .03
 .XXX ± .010

FRACTIONAL
 ± 1/32

ANGULAR
 ± 1°

TCL W182N10611 (Rev 1) 11/16/22
 Germantown, WI 53022
 © 2022 TCI, LLC
 An Official Motors Gateway
 KDR G Frame, Copper Bus
 Reactor Drawing
 DWN BY: BSW DATE: 3/16/18 107533DG
 SCALE: 1/2.3 DRAWN BY: CSE SHEET 5 OF 8