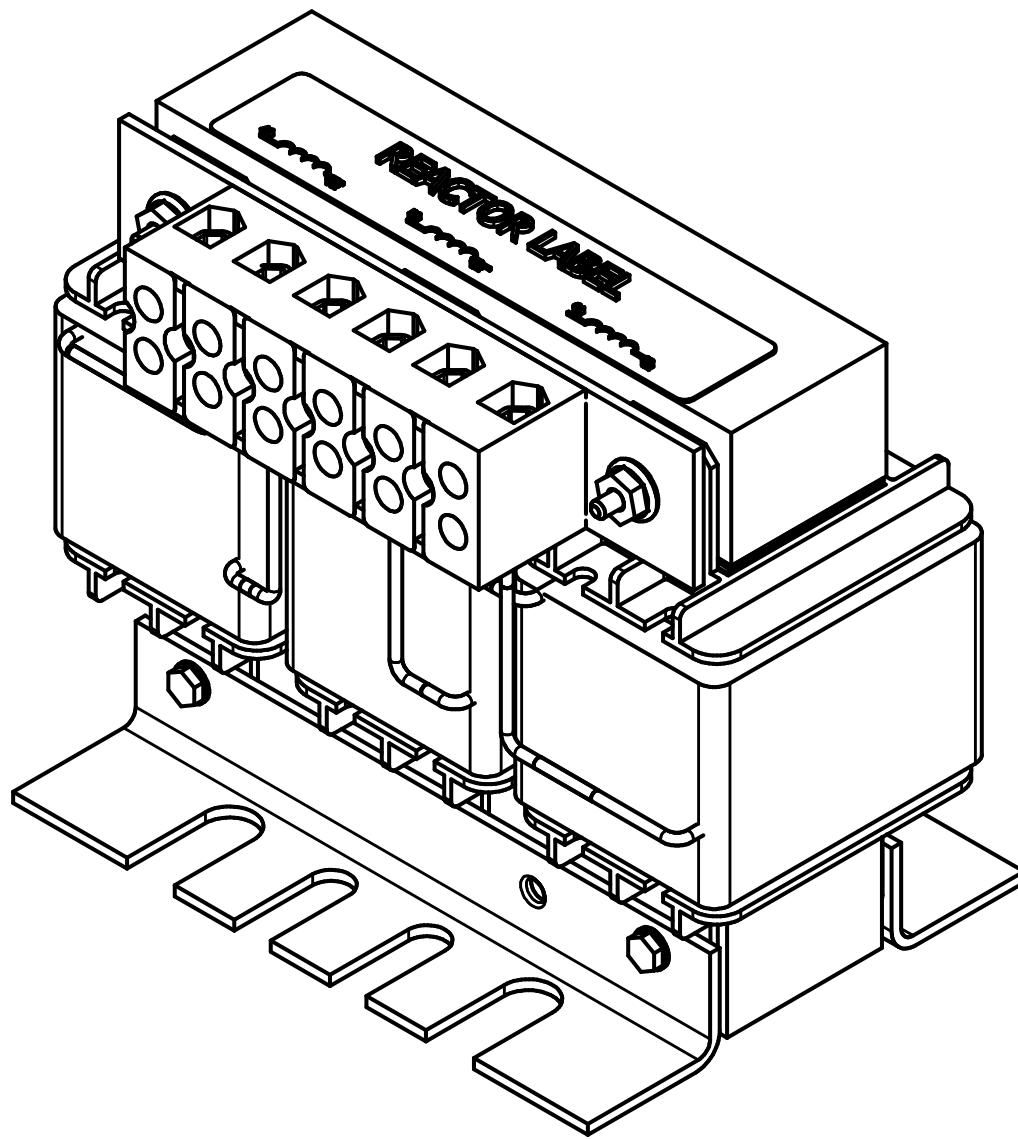


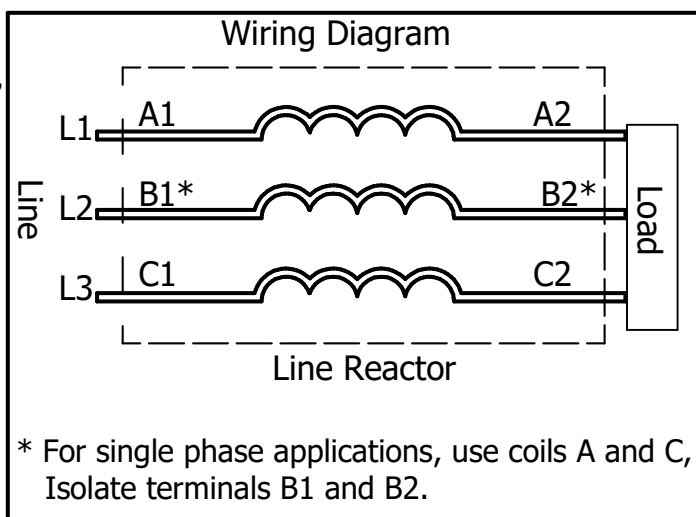
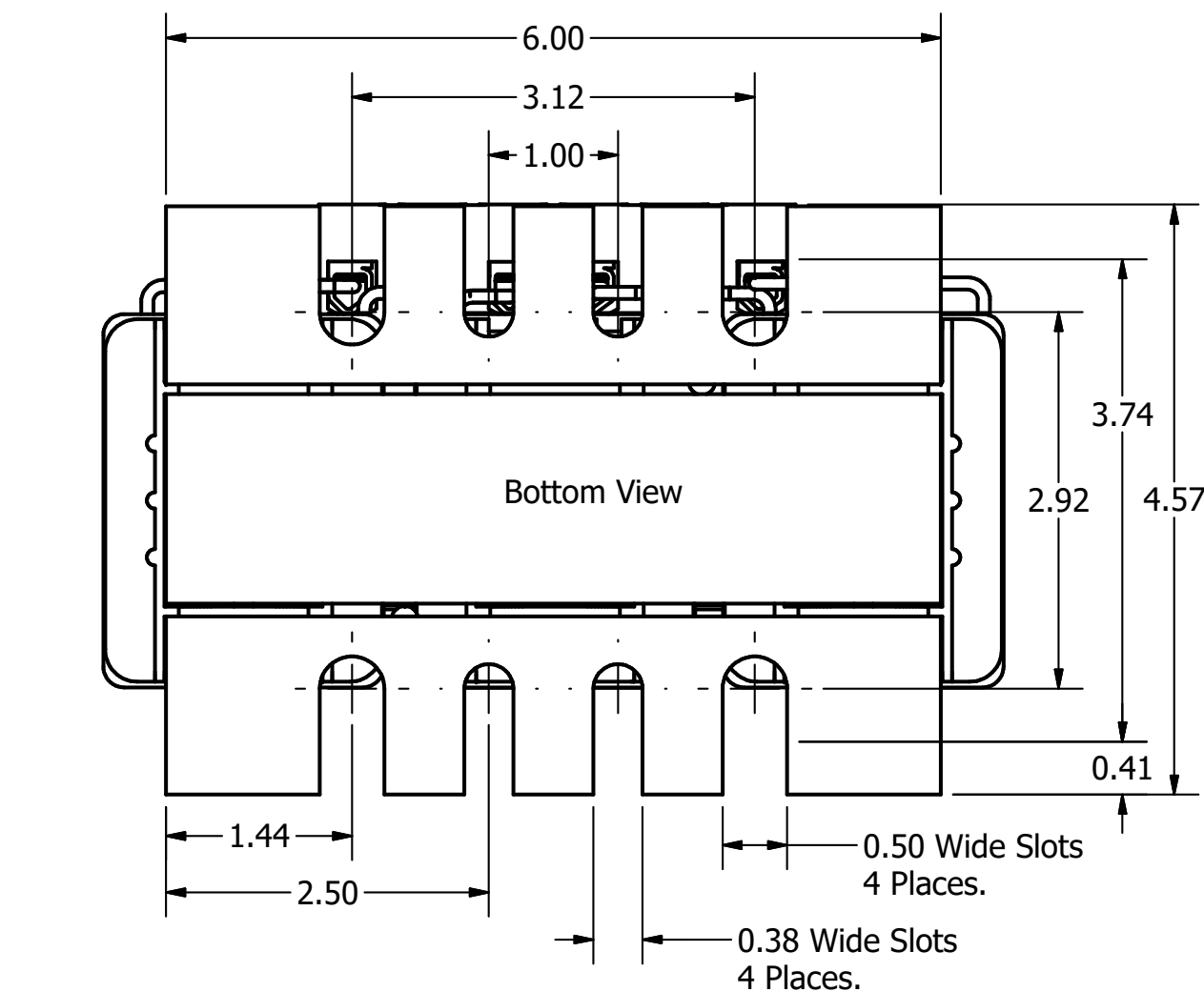
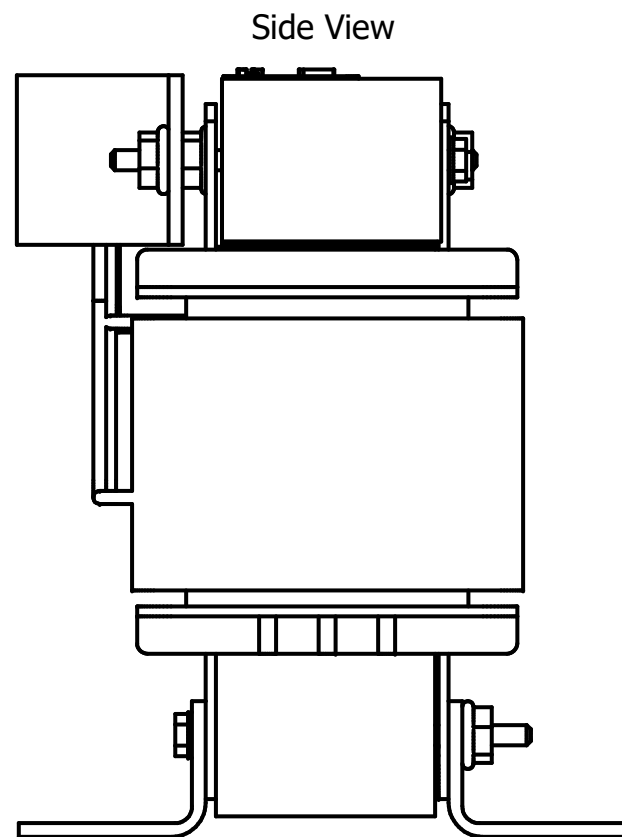
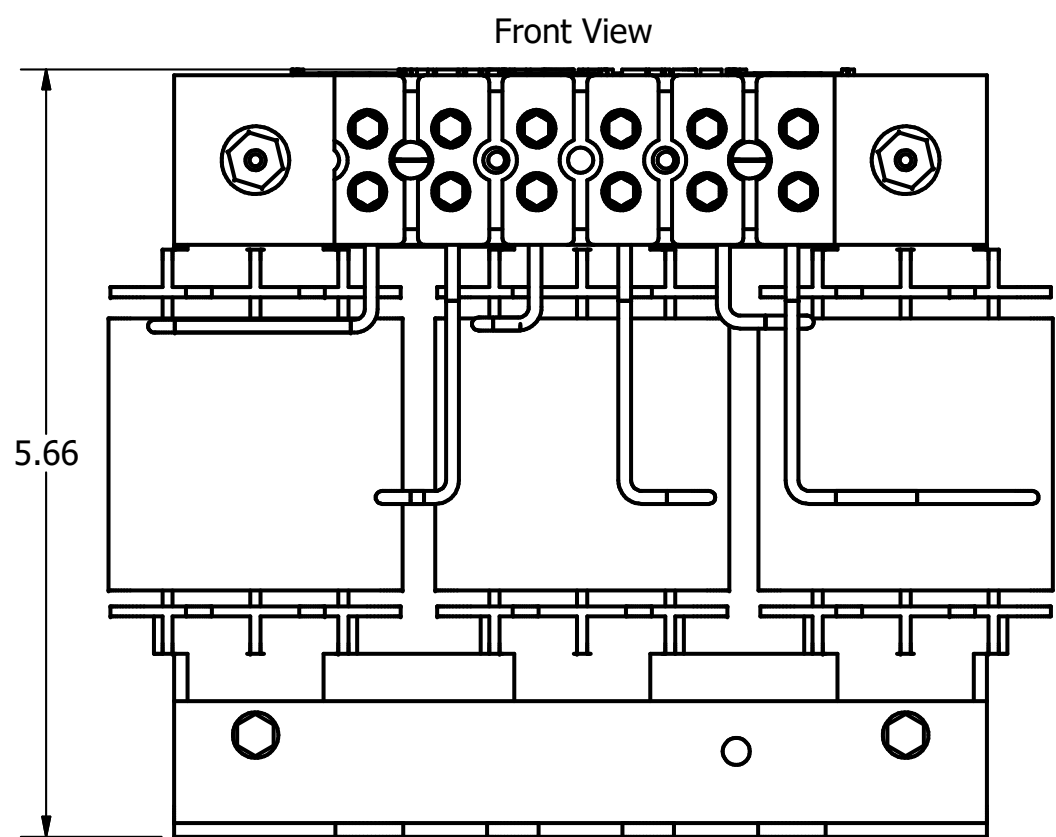
(Customer Connections)
Markings On Terminal Block
For Reference Only.

Wire Range: 4-18 AWG.
Torque : 20 IN-LBS (2.3 Nm)



480 Rated Voltage, 600 Max Voltage, High Z, Impedance.						
Part Number	Horsepower (HP)	Motor Amps (A)	Maximum Amps (A)	Inductance (uH)	Weight (LBS)	Losses (W)
KDRE2H	30	40	45	850	16	141

575 Rated Voltage, 600 Max Voltage, High Z, Impedance.						
Part Number	Horsepower (HP)	Motor Amps (A)	Maximum Amps (A)	Inductance (uH)	Weight (LBS)	Losses (W)
KDRE42H	30	32	32	1430	16	140



TCI (800) 824-8282 transcoil.com

TCI, LLC
Germantown, WI, USA.
transcoil.com
800-824-8282

KDRLL Drive Reactor
KDR— Motor Amps —
3PH, 50/60Hz, —V Rated, 600V Max, —A Max, RoHS
40C Amb Max, 135C Rise
Manual #30895

UL LISTED CE
3RD PARTY SQ. 11140

DATE CODE A1 A2 B1 B2 C1 C2

Notes:

1. UL file number: cULus Listed File E116124.
2. KDR Drive Reactors Comply With The Thermal and Altitude Standards Set Forth by NEMA ST20-1992.
3. KDR IOM Manual Part Number 30895
4. Material(s) Shall be RoHS Compliant
5. Customer Is Responsible For Installation To Meet All National And Local Electrical Codes.

TCI, LLC CLAIMS PROPRIETARY RIGHTS IN THE MATERIAL HEREIN DISCLOSED. IT IS SUPPLIED WITHOUT PREJUDICE TO ANY PATENT RIGHTS OF TCI AND MAY NOT BE REPRODUCED OR USED TO MANUFACTURE ANYTHING SHOWN THEREIN WITHOUT WRITTEN PERMISSION FROM TCI.

NO	REVISION	DATE	BY
B	4686, TB, Screws Change to 1/8 Hex	5/9/19	DSW
A	Combined Drawings	1/22/18	DSW

TCI W132 N10611 Grant Drive
Germantown, WI 53022

KDR E Frame, Terminal Block
Reactor Drawing

DRN BY: DSW DATE: 1/22/18 107514DG
SCALE: 1:1.5 APRVD: C SIZE: C SHT. OF 0

4

3

2

1

4

3

2

1