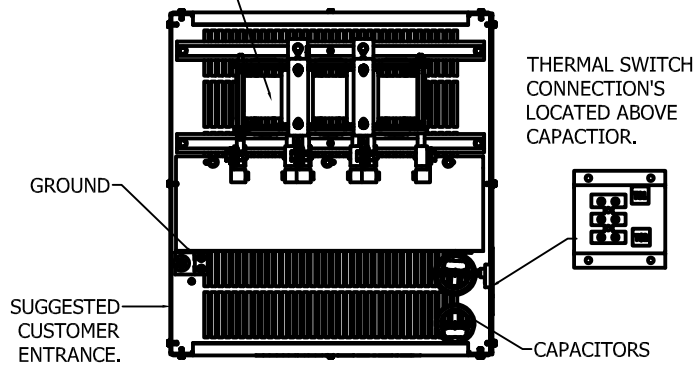
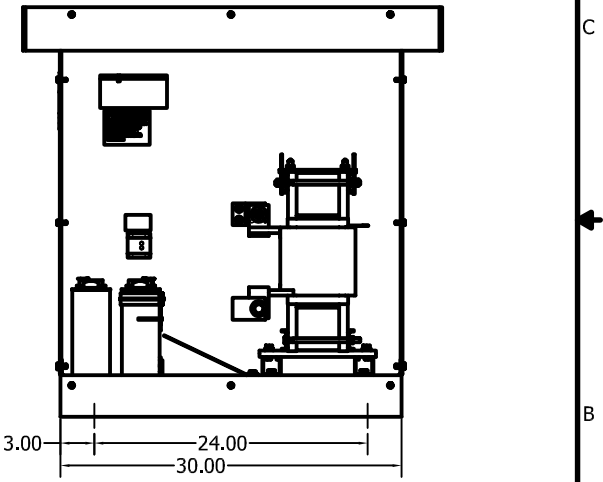
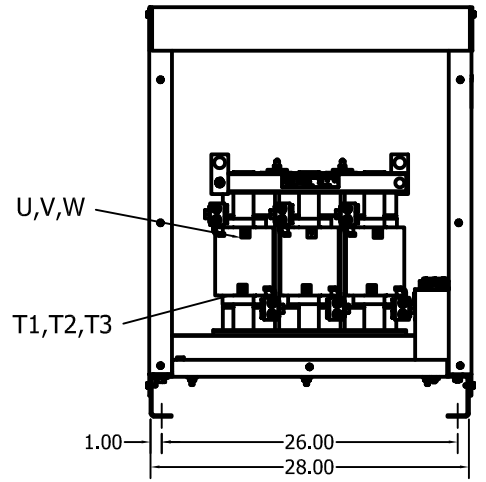
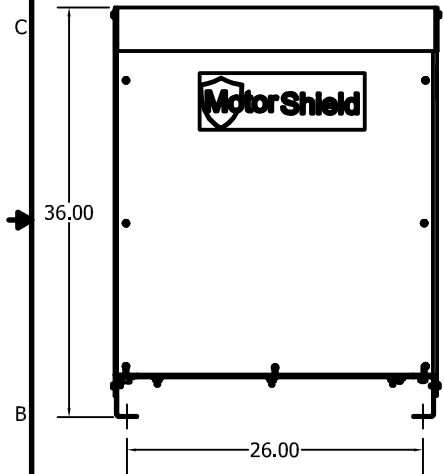
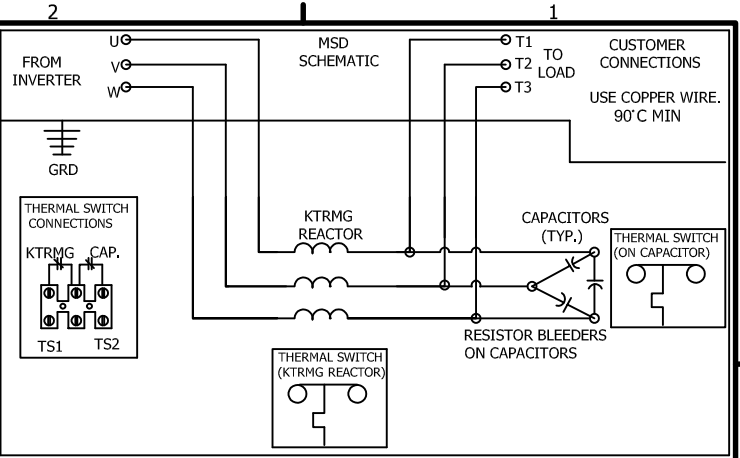


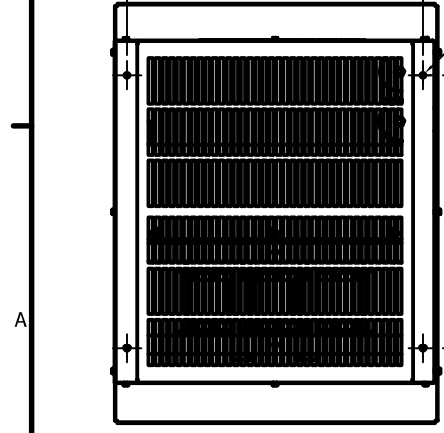
NOTE: REACTOR SIZE SHOWN WILL VARY WITH HORSEPOWER.



NOTE: NUMBER OF CAPACITORS, VARIES WITH HORSEPOWER.



NOTE: FOR TERMINAL TORQUE SEE IOM MANUAL.



MSD PART NUMBER	HP	VOLTAGE	CURRENT	WEIGHT	PRESSURE TERMINAL WIRE RANGE
MSD0200C300	200	600V	200 AMPS	425LBS	(2) 350MCM-6AWG
MSD0250C300	250	600V	250 AMPS	450LBS	(2) 350MCM-6AWG
MSD0305C300	300	600V	305 AMPS	460LBS	(2) 350MCM-6AWG

CUSTOMER IS RESPONSIBLE FOR INSTALLATION TO MEET ALL NATIONAL AND LOCAL ELECTRICAL CODES.

TOLERANCES (EXCEPT AS NOTED)		DATE		DWG. NO.	
PERCENT		2/16/16	BWM	106430DG	
.XX	+/- .25	SCALE	1/8"	SHEET	1 OF 1
.XXX	+/- .10				
FUNCTIONAL		DATE	BY	DATE	BY
B 3696 ADD DISCHARGE		8/1/16	DSW	2/16/16	BWM
A AS DESIGNED		2/16/16	BWM		
NO REVISION		DATE	BY	DATE	BY

TCL W132 N10611 GRANT DRIVE GERMANTOWN, WI. 53022
MSD 200AMPS TO 305AMPS
 MotorShield Sinewave Filter
 600/3/60, Type 1/3R.