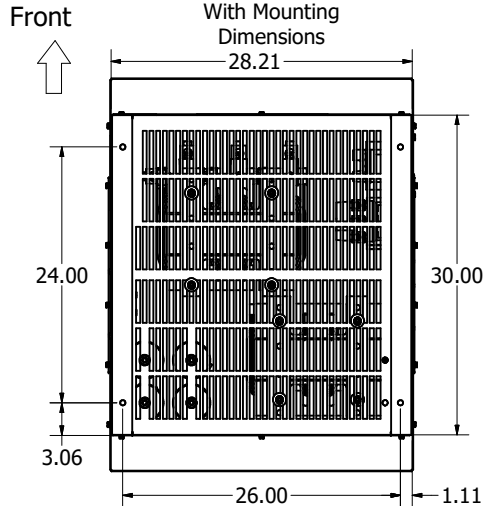
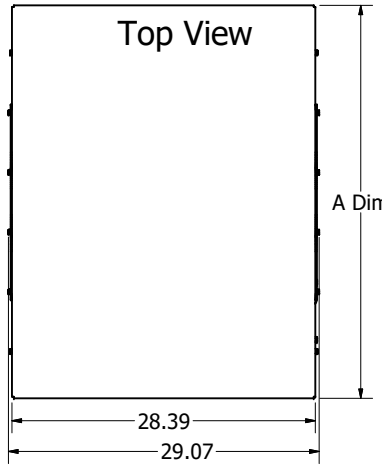


Bottom View



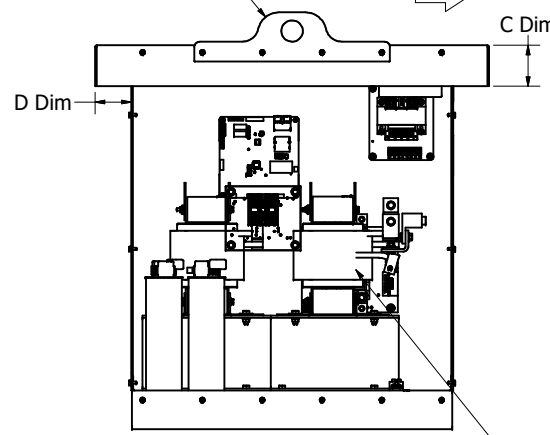
Top View



| Dimension Table | | | | |
|-----------------|---------|---------|---------|---------|
| Enclosure | "A" Dim | "B" Dim | "C" Dim | "D" Dim |
| Type 1 | 33.2 | 37.0 | 2.3 | 1.5 |
| Type 3R | 36.9 | 36.0 | 3.8 | 3.4 |

Lifting Eye (Both Sides)

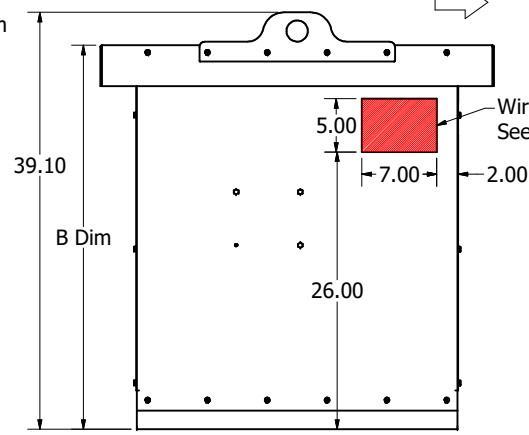
Front



Left Inside View

Line Reactor LR

Front

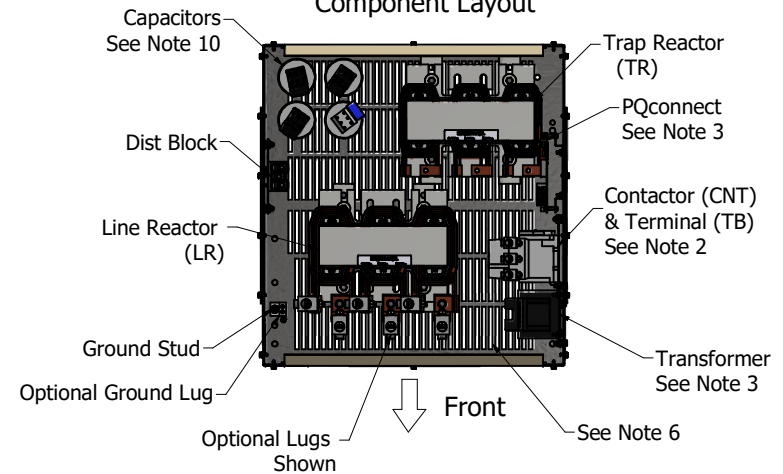


Left Side View

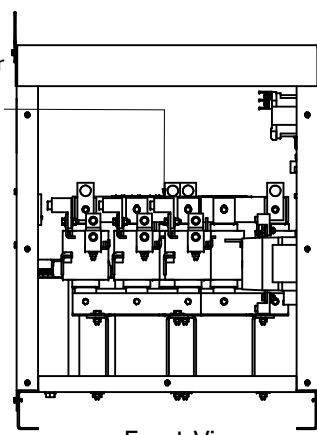
Wire Entry See Note 5

Customer Power (L1, L2, L3) (T1, T2, T3) See Note 1 & 4

Component Layout




Front



Front View With Front Cover Removed

- Notes:
- 1.) Refer to manual for wire size and torque.
 - 2.) Contactor (CNT) and terminal (TB) are optional.
 - 3.) PQconnect with Transformer are optional.
 - 4.) Refer to schematic # 30047, PQ Schematic (TBD)
 - 5.) Preferred wire entry area.
 - 6.) Wire entry is allowed through the bottom.
 - 7.) Enclosure is shown with a Type 3R top.
 - 8.) Use only hubs or fittings that comply with UL514B for Type 3R applications
 - 9.) Installation must meet all national and local codes.
 - 10.) Number, size & location can vary per Hp and voltage.

| HP | Volts | Phase | Hz | Harmonic | Kvar | Contactors | PQconnect | Weight (lb) | Terminal Hole Size |
|-----|-----------|-------|----|----------|------|------------|-----------|-------------|--------------------|
| 200 | 480 & 600 | 3 | 60 | 5TH | 60 | Without | Without | 500 | 0.44 In |
| 200 | 480 & 600 | 3 | 60 | 5TH | 60 | With | Without | 510 | 0.44 In |
| 200 | 480 & 600 | 3 | 60 | 5TH | 60 | With | With | 520 | 0.44 In |
| 250 | 480 & 600 | 3 | 60 | 5TH | 75 | Without | Without | 503 | 0.44 In |
| 250 | 480 & 600 | 3 | 60 | 5TH | 75 | With | Without | 512 | 0.44 In |
| 250 | 480 & 600 | 3 | 60 | 5TH | 75 | With | With | 521 | 0.44 In |

| | | | | | | |
|--|--------------------------------------|-----------|-----|---|--|--|
| THE INFORMATION AND DESIGNS CONTAINED IN THIS DRAWING ARE CONFIDENTIAL AND THE PROPRIETARY PROPERTY OF ALLIED MOTION TECHNOLOGIES INC. AND ITS SUBSIDIARIES. NEITHER THIS DESIGN NOR ANY INFORMATION CONTAINED IN THIS DRAWING MAY BE REPRODUCED OR DISCLOSED TO OTHERS WITHOUT THE EXPRESS WRITTEN CONSENT OF ALLIED MOTION TECHNOLOGIES INC. AND ITS SUBSIDIARIES. | | | | TOLERANCES (EXCEPT AS NOTED) DECIMAL .XX ± .03 .XXX ± .010 | |  TCI <i>An Allied Motion Company</i> W132N10611 Grant Drive Germantown, WI 53022 © 2021 TCI, LLC |
| C | Add PQconnect | 7/27/2021 | DSW | FRACTIONAL 1/32 | | |
| B | Add Type 1 & 600 Volt & Lifting Eyes | 5/30/17 | RHW | DATE: 6/24/16 | | |
| A | As Designed | 6/24/16 | DSW | SCALE: 1/9 | | |
| NO | REVISION | DATE | BY | PART: 106293DG | | |
| | | | | SHEET 1 OF 1 | | |