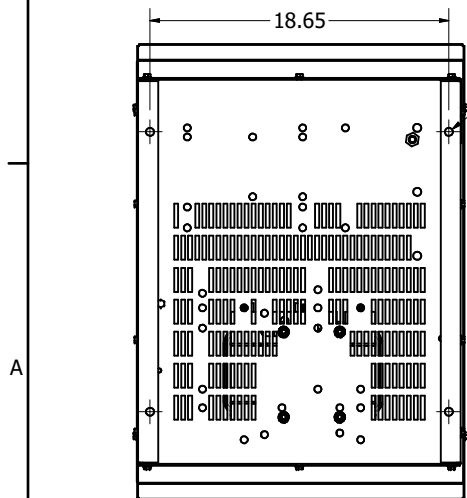
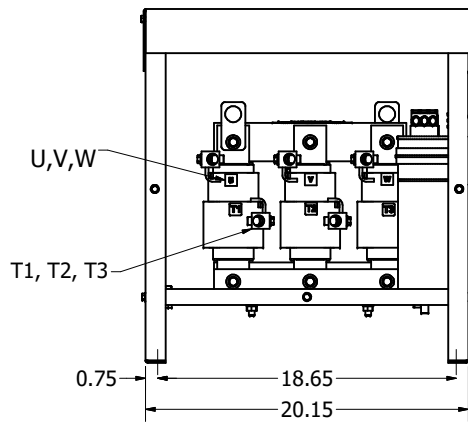
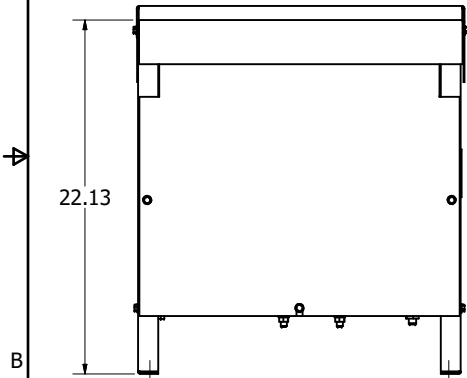
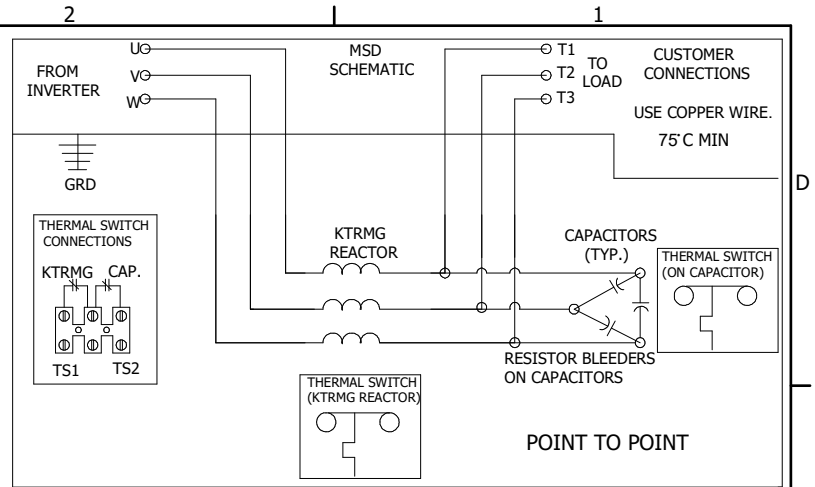


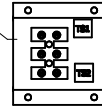
NOTE: FOR WIRE RANGE AND TORQUE INFORMATION SEE IOM MANUAL.



Material(s) Shall be RoHS Compliant



TERMINAL BLOCK ASSEMBLY, MOUNTED ABOVE CAPACITORS



MSD Part Number	HP	Voltage (V)	Current (Amps)	Weight (LBS)	Pressure Terminal Wire Range
MSD0065C300	60	600	65	159	2/0 - 14 AWG
MSD0080C300	75	600	80	177	2/0 - 14 AWG
MSD0110C300	100	600	110	180	250MCM -1 AWG
MSD0130C300	125	600	130	187	250MCM -1 AWG

CUSTOMER IS RESPONSIBLE FOR INSTALLATION TO MEET ALL NATIONAL AND LOCAL ELECTRICAL CODES.

THE INFORMATION AND DESIGNS CONTAINED IN THIS DRAWING ARE CONFIDENTIAL AND THE PROPRIETARY PROPERTY OF ALLIED MOTION TECHNOLOGIES INC. AND ITS SUBSIDIARIES. NEITHER THIS DESIGN NOR ANY INFORMATION CONTAINED IN THIS DRAWING MAY BE REPRODUCED OR DISCLOSED TO OTHERS WITHOUT THE EXPRESS WRITTEN CONSENT OF ALLIED MOTION TECHNOLOGIES INC. AND ITS SUBSIDIARIES.

REV	DESCRIPTION	DATE	BY
E	Switched to Vishay caps	10/6/23	JSG
D	4542, Add 110, 130 Amps	11/2/18	DSW
NO	REVISION	DATE	BY

TOLERANCES (EXCEPT AS NOTED)
 DECIMAL
 .XX ± .03
 .XXX ± .010
 FRACTIONAL
 ± 1/32
 ANGULAR
 ± 1°

TCL W132N10611 (Rev. 13 Feb. 2023)
 Germerman, WI 53022
 © 2023 TCL, LLC
 An Official Motion Group
 MSD 65 Amps to 130 Amps
 600/3/60, Type 1/3R
 DESIGNED BY BWM DATE 3/10/16
 DRAWN BY BWM DATE 3/10/16
 SCALE: 1:6
 105804DG
 SHEET 1 OF 1