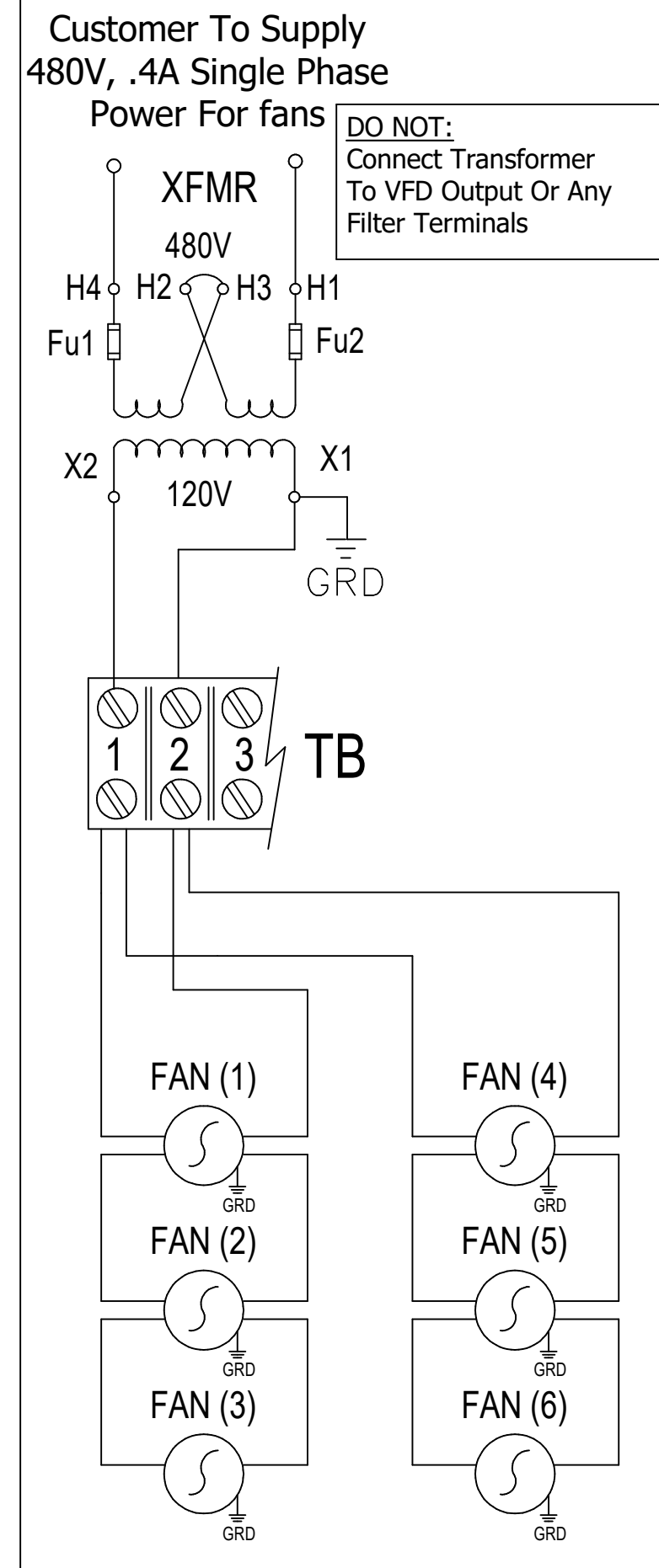
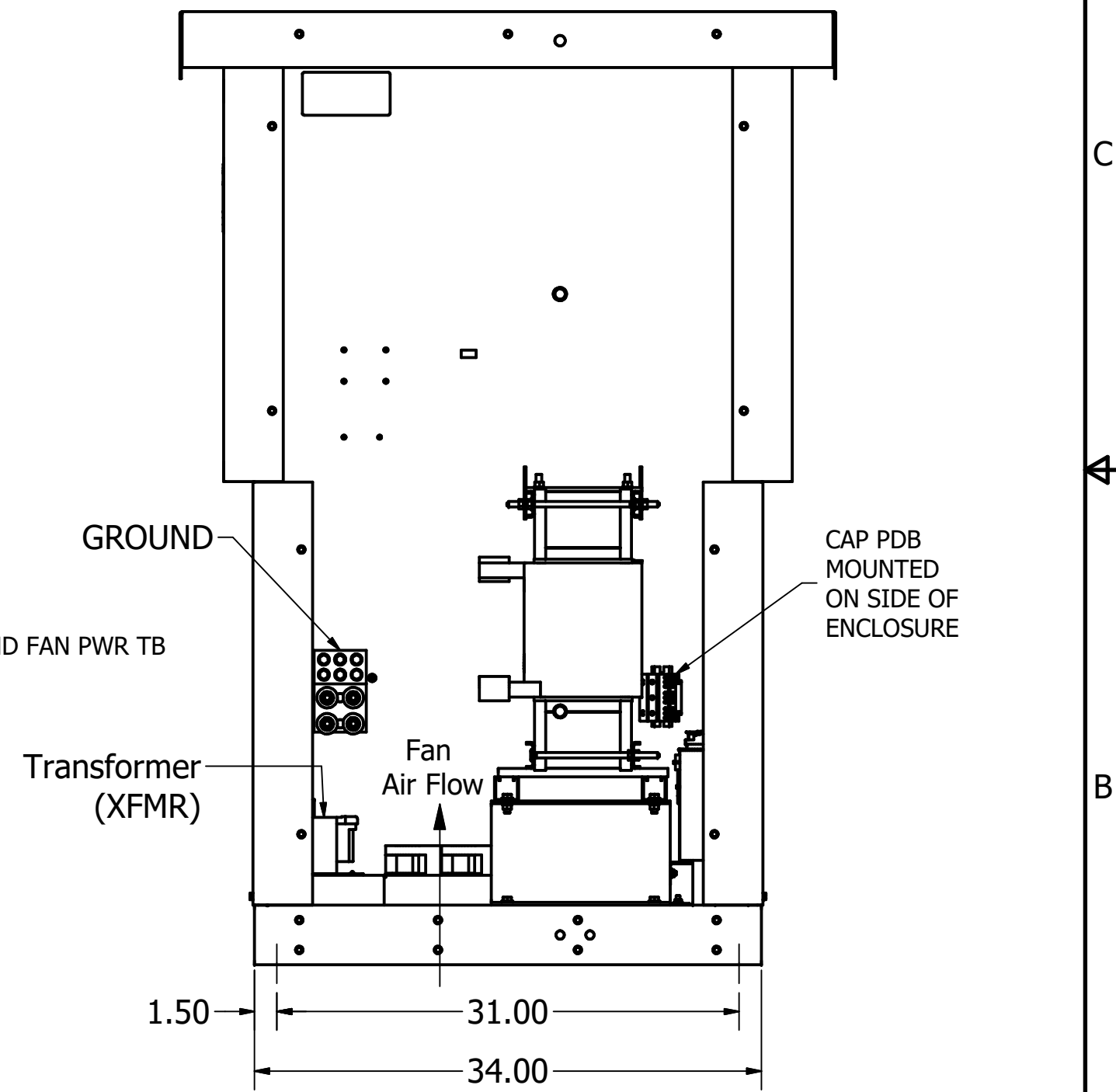
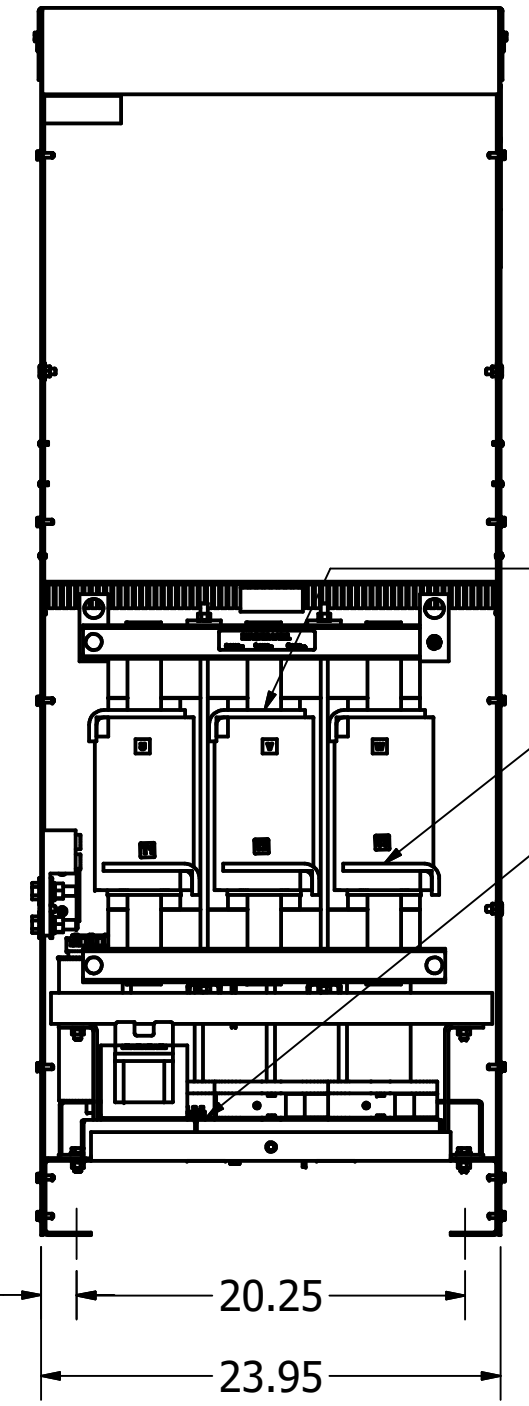
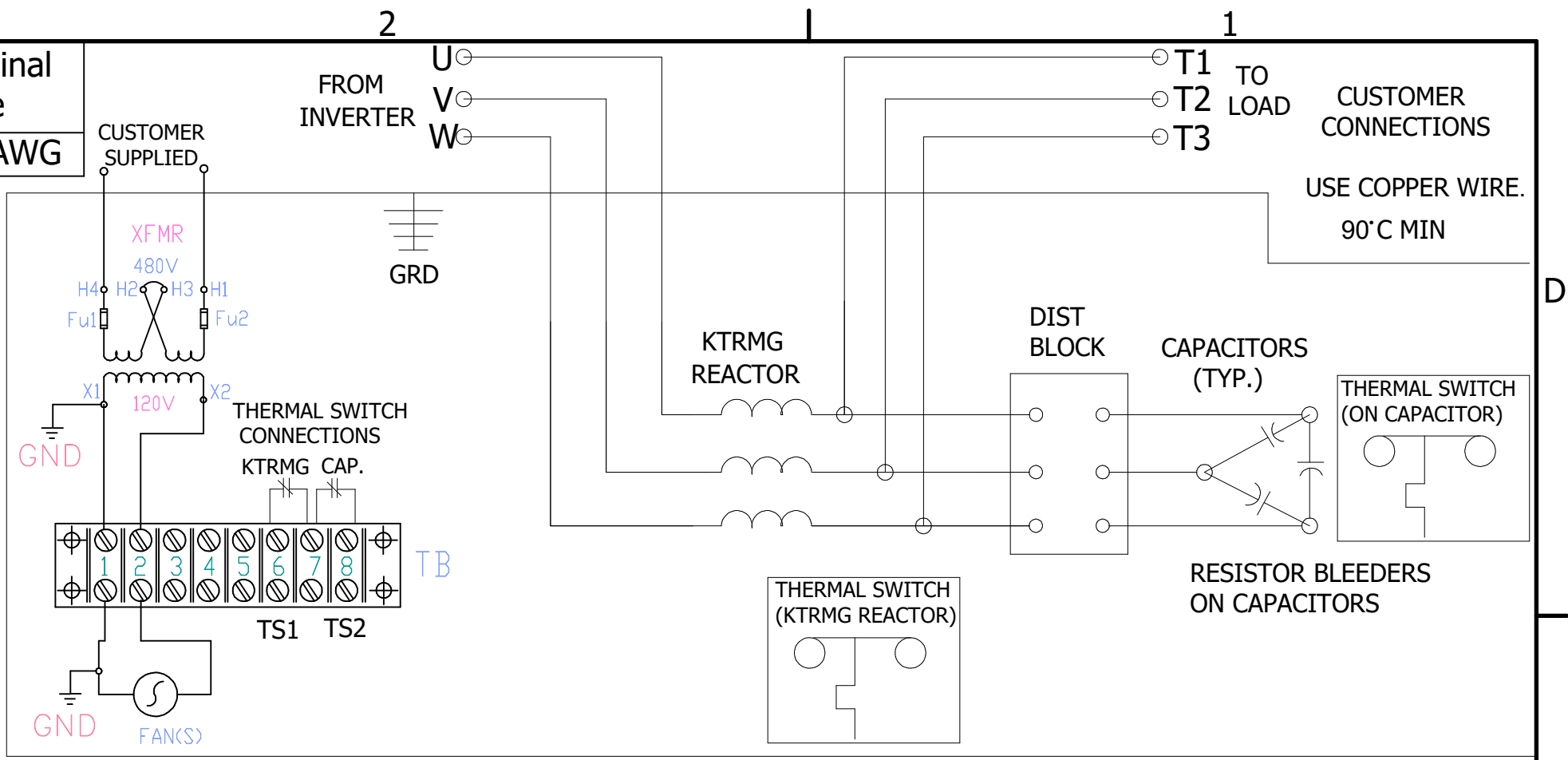


MSD Part Number	HP	Voltage (V)	Amps (A)	Weight (LBS)	Pressure Terminal Wire Range
MSN0600A300	500	480	600	713	(3) 600MCM-2AWG



NOTE: FOR TERMINAL TORQUE SEE IOM MANUAL.



CUSTOMER IS RESPONSIBLE FOR INSTALLATION TO MEET ALL NATIONAL AND LOCAL ELECTRICAL CODES.

THE INFORMATION AND DESIGNS CONTAINED IN THIS DRAWING ARE CONFIDENTIAL AND THE PROPRIETARY PROPERTY OF ALLIED MOTION TECHNOLOGIES INC. AND ITS SUBSIDIARIES. NEITHER THIS DESIGN NOR ANY INFORMATION CONTAINED IN THIS DRAWING MAY BE REPRODUCED OR DISCLOSED TO OTHERS WITHOUT THE EXPRESS WRITTEN CONSENT OF ALLIED MOTION TECHNOLOGIES INC. AND ITS SUBSIDIARIES.				TOLERANCES (EXCEPT AS NOTED)	W132N10611 Grant Drive Germantown, WI 53022 © 2023 TCL, LLC MSN0600A300, MotorShield, Sinewave Filter 480/3/60, Type 1/3R
				DECIMAL	
				.XX ± .25	
				.XXX ± .10	
				FRACTIONAL ± 1/32	
	D 6143 Update To Fan Tray	01/17/23	JRN	ANGULAR ± 1°	DRN BY DSW DATE 07/14/15
	C Add Fans	05/26/17	DSW		SCALE 1/10 APRVD: 105800DG
	NO REVISION	DATE	BY		SIZE C SHT. 1 OF 1