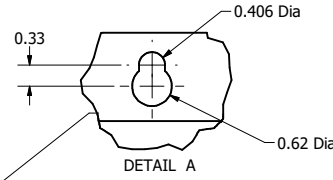
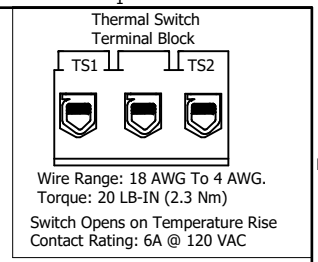


SineWave Part Number	Schematic Drawing#	Approx Weight (LBS)
KMG20C01A	24281-11A	133
KMG20C01P	24281-11P	134

HorsePower (HP)	kVar	Max Amps	Voltage (V)	HZ	Phase
15	1.17	20	600	60	3



D

C

B

A

D

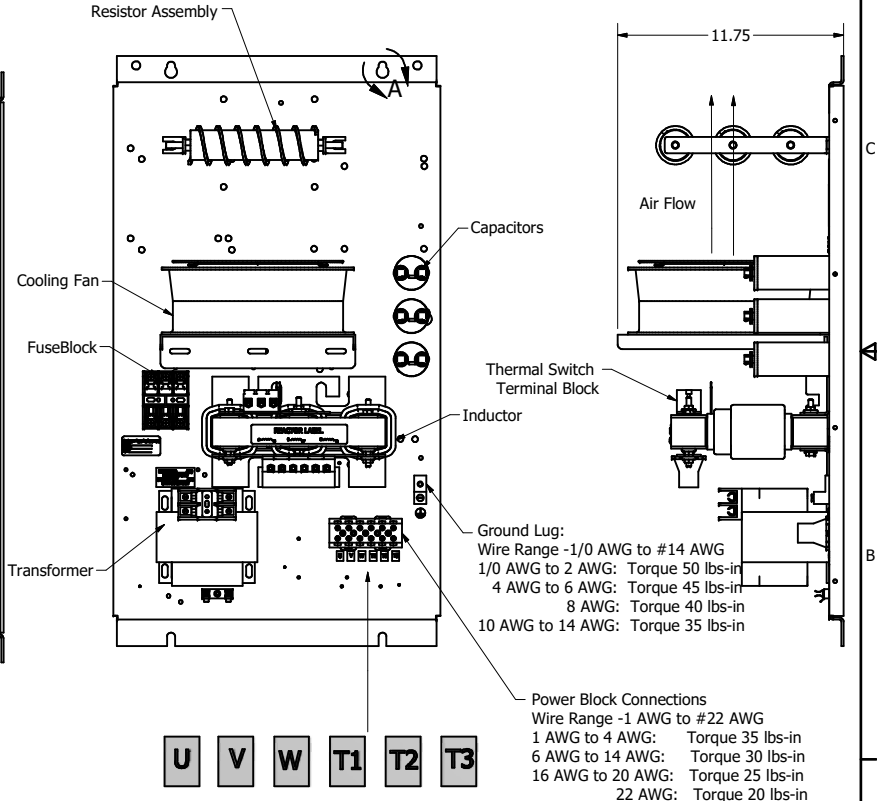
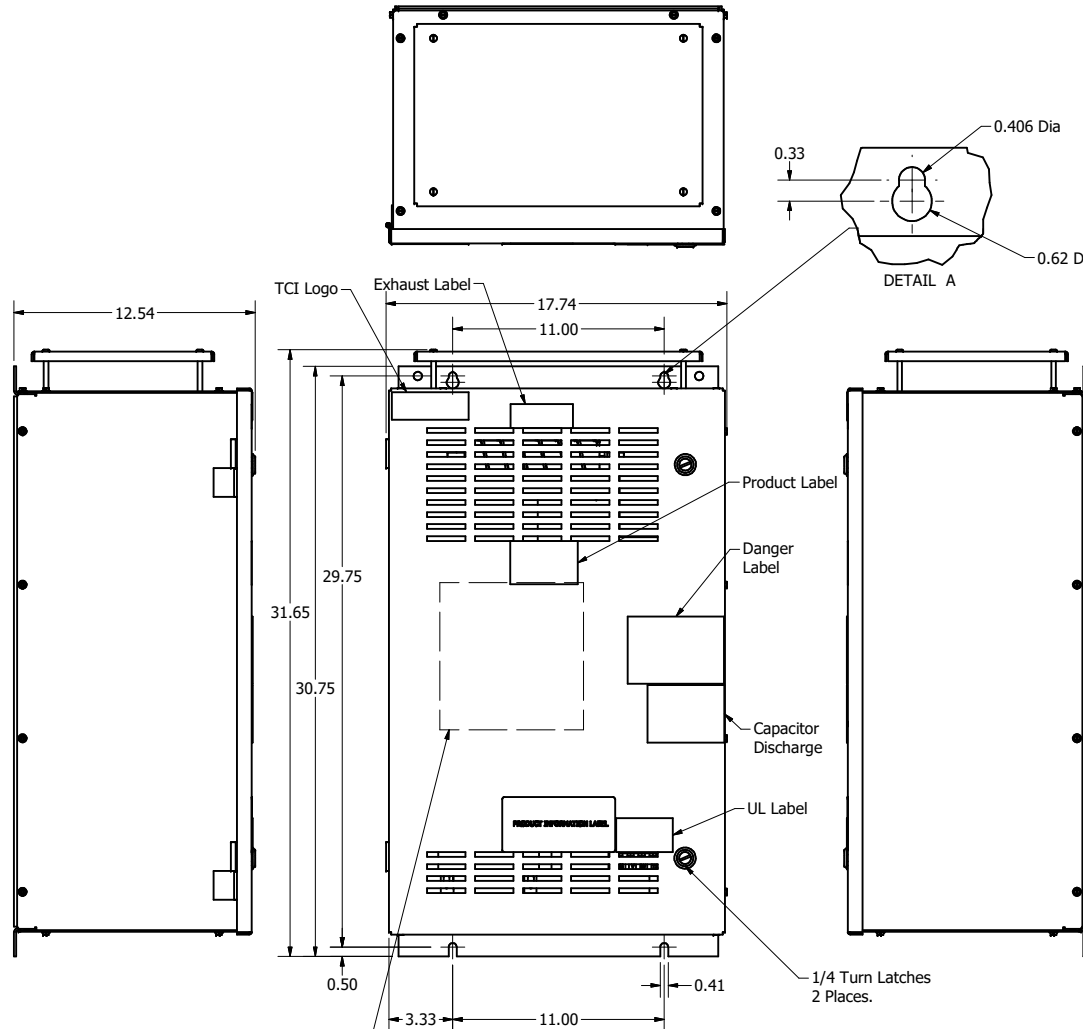
C

B

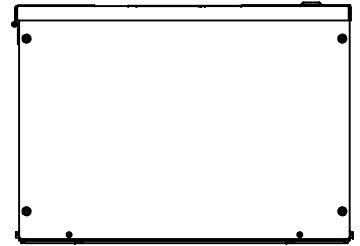
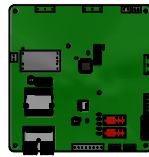
A

A

A



PQconnect Board Mounted On Inside Front Door. OPTIONAL



Customer Is Responsible For Installation to Meet All National And Local Electrical Codes.

Material(s) Shall be RoHS Compliant

TCI, LLC CLAIMS PROPRIETARY RIGHTS IN THE MATERIAL HEREIN DISCLOSED. IT IS SUPPLIED WITHOUT PREJUDICE TO ANY PATENT RIGHTS OF TCI AND MAY NOT BE REPRODUCED OR USED TO MANUFACTURE ANYTHING SHOWN THEREIN WITHOUT WRITTEN PERMISSION FROM TCI.					TOLERANCES (EXCEPT AS NOTED) DECIMAL .XX ± .25 .XXX ± .10 FRACTIONAL ± 1/16 ANGULAR ± 1°	TCI W132 N10611 Grant Drive Germantown, WI 53022 KMG20C01-, SineWave Filter Enclosed Type 1, 15HP, 600V DWN BY: DSW DATE: 10/14/2016 104437DG SCALE: 1/8 DRAWN: [] SHEET 1 OF 1
	B	Add PQ Board	9/22/2020	DSW		
	NO	REVISION	DATE	BY		

4

1

3

A

2

1

1