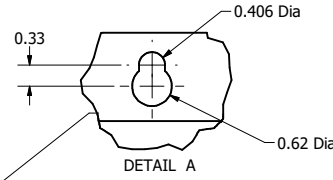
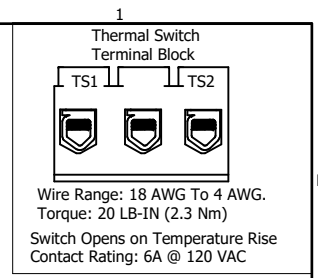
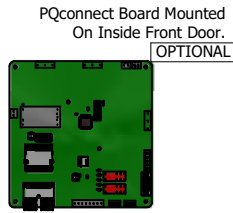
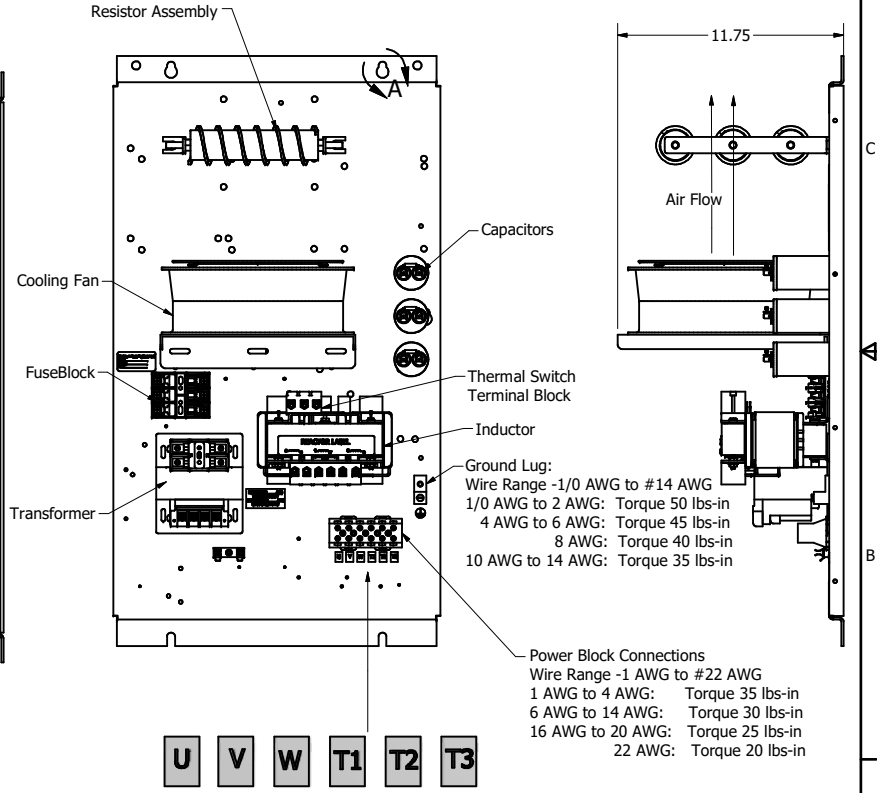
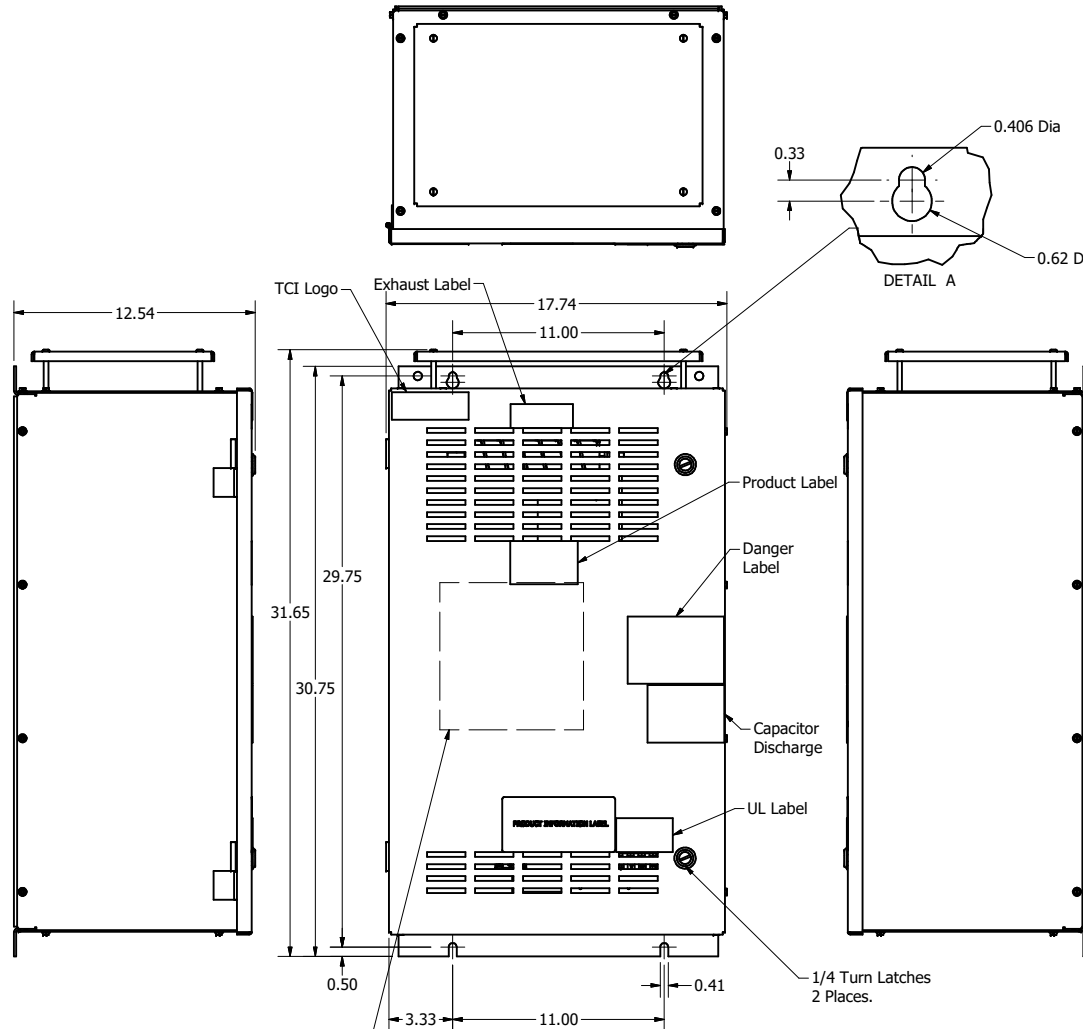


SineWave Part Number	Schematic Drawing#	Approx Weight (LBS)
KMG16A01A	24281-1A	119
KMG16A01P	24281-1P	120

HorsePower (HP)	kVar	Max Amps	Voltage (V)	HZ	Phase
10	1.85	16	480	60	3



D  
C  
B  
A



U V W T1 T2 T3

Customer Is Responsible For Installation to Meet All National And Local Electrical Codes.

Material(s) Shall be RoHS Compliant

TCI, LLC CLAIMS PROPRIETARY RIGHTS IN THE MATERIAL HEREIN DISCLOSED. IT IS SUPPLIED WITHOUT PREJUDICE TO ANY PATENT RIGHTS OF TCI AND MAY NOT BE REPRODUCED OR USED TO MANUFACTURE ANYTHING SHOWN THEREIN WITHOUT WRITTEN PERMISSION FROM TCI.					TOLERANCES (EXCEPT AS NOTED) DECIMAL .XX ± .25 .XXX ± .10 FRACTIONAL ± 1/16 ANGULAR ± 1°	W132 N10611 Grant Drive Germantown, WI 53022 KMG16A01- SineWave Filter Enclosed Type 1, 10HP, 480V 104350DG DATE 10/07/2014 SCALE 1/8 SHEET 1 OF 1
	B	Add PQconnect Board	6/17/2020	DSW		
	NO	REVISION	DATE	BY		